

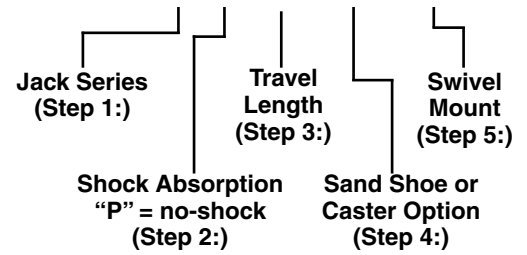
# Jack Selection Guide

## Determining and Ordering Your Premier Jack:

**Example Order: 600 P - 15 - 726 - 688**

Follow the five steps below to assist you in constructing a jack part number.

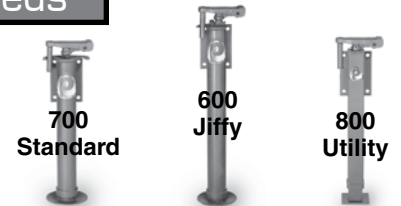
The example part number is for a "600" series jack, with no shock absorption "P", "15" inches of travel, with a "726" caster mounting plate and a "688" swivel mount. If you should have any questions in regard to ordering or installing a Premier jack, please call our knowledgeable sales staff for assistance.



## Step 1: Determine The Jack Best Suited to Your Needs

Review the features of Premier's 700 Standard Jack, 600 Jiffy Jack and 800 Utility Jack, to determine which series best suits your application.

Following the above example, **Step 1 = 600.**



## Step 2: Shock Absorption

Premier's 600 Jiffy Jack and 700 Standard Jack both offer an optional shock system that reduces the potential for jack damage due to sudden load drops. If this feature is *not* desired, indicate a "P" after the jack model number (ie: **600P**) to decline the shock, or leave off the "P" (ie: **600**) to include the shock feature.

Following the above example, the jack will **not** have a spring cushion. **Step 2 = 600P.**



## Step 3: Travel Length

The 600 Jiffy Jack is offered in two travel lengths, 12" or 15" (inches). The 700 and 800 jacks are available with 15" of travel. Following the above example, the jack will have 15" of travel. **Step 3 = 600P-15.**

## Step 4: Select a Base Suited to Your Needs

Decide if the jack will be used with a sand shoe - or - a caster.

If a sand shoe is preferred, order part #729.

If a caster is going to be used, order the caster mounting plate, part #726.

Following the above example, the jack will be used with a caster. **Step 4 = 600P-15-726.**

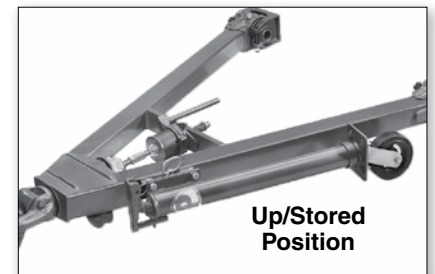
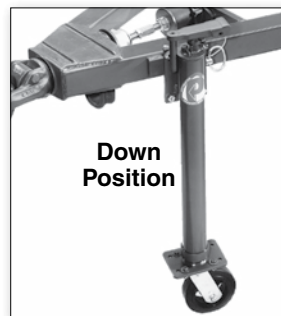
**Please note:** If you choose a caster mounting plate, the caster options are shown on page 72. The caster will need to be ordered as a separate line item.



## Step 5: Swivel Mount Option

This step is only necessary if a swivel mount is desired. Swivel mount options are shown on page 71.

Following the above example, the jack will have a 688 swivel mount. **Step 5 = 600P-15-726-688.**






## IMPORTANT GUIDELINES that apply to all Premier Jacks

- Never operate jack on uneven ground or where there is a chance of the lifted load shifting
- Never place more of a load on jack or caster which is greater than the lowest rated capacity
- Lubricate jack and check jack and caster assembly for damage or worn components frequently
- Do not bind-up (Jackknife) any application as stresses can cause damage to products or components, resulting in failure and detachment of the trailer while in use

# Jack Selection Guide

## Caster Options

Jack assemblies are to be fully retracted during highway operation. Capacity ratings apply only to manual operation at less than 5 mph (8 kph). Caster assemblies determine actual capacity of jack.

Caster Type	Model	Capacity	Overall Height	Wheel Size	Unit Weight
Steel 	620	1,200 lbs. (544.3 kg)	7 1/4 in. (184 mm)	6 in. (152 mm)	10 lbs. (4.5 kg)
	637	1,200 lbs. (544.3 kg)	7 1/4 in. (184 mm)	6 in. (152 mm)	11 lbs. (5.0 kg)
	745*	1,400 lbs. (636.4 kg)	9 1/2 in. (241 mm)	8 in. (203 mm)	12 lbs. (5.5 kg)
*Not recommended for 600 Series Jiffy Jacks					
Molden Rubber 	623	800 lbs. (362.9 kg)	7 1/4 in. (184 mm)	6 in. (152 mm)	6 lbs. (2.7 kg)
	746	800 lbs. (362.9 kg)	10 1/8 in. (257 mm)	8 in. (203 mm)	11 lbs. (5.0 kg)
Pneumatic 	720	390 lbs. (176.9 kg)	13 in. (330 mm)	10 in. (254 mm)	14 lbs. (6.4 kg)

## Swivel Mount Options

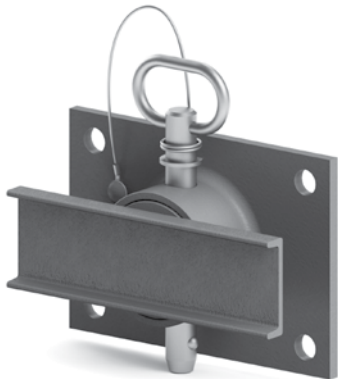
**688, 688HD & 688US Swivel Mounts:** Swivel Mounts allow for the jack to be rotated out, out of harm's way, as shown below.

**688:** May be ordered separately or in place of standard mounting plate on any Premier Jack.

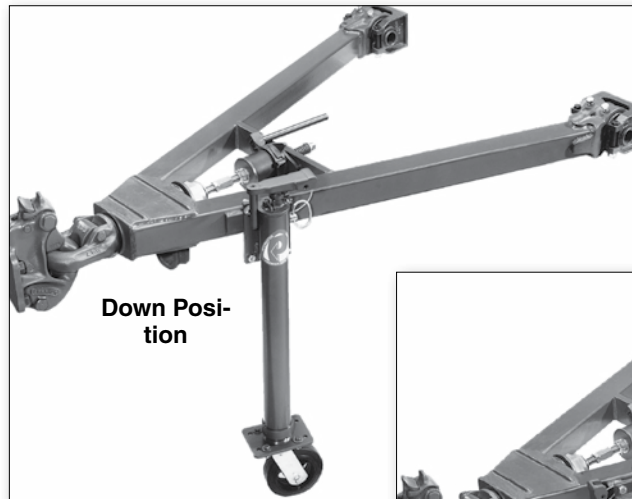
(Bolt hole centers: 3 3/8 in. (86 mm) x 5 1/4 in. (133 mm) x 17/32 in. (13 mm) I.D.)

**688HD:** Same general design as our 688 above, but in a heavy-duty version.

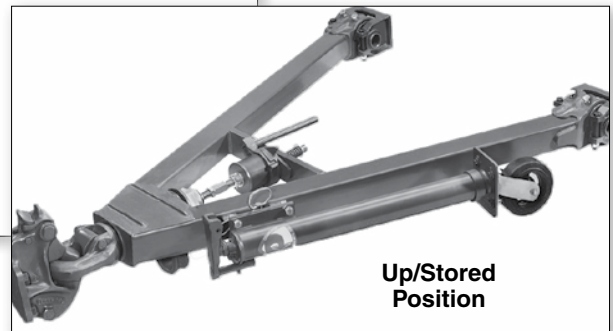
**688US:** This is our Universal version of the 688. The 688US easily adapts to existing jacks that already have the standard mounting plate installed.



**688: Swivel Mount Assembly**  
**689B: Pin & Cable Assembly**



**Down Position**



**Up/Stored Position**

### IMPORTANT GUIDELINES that apply to all Premier Jacks

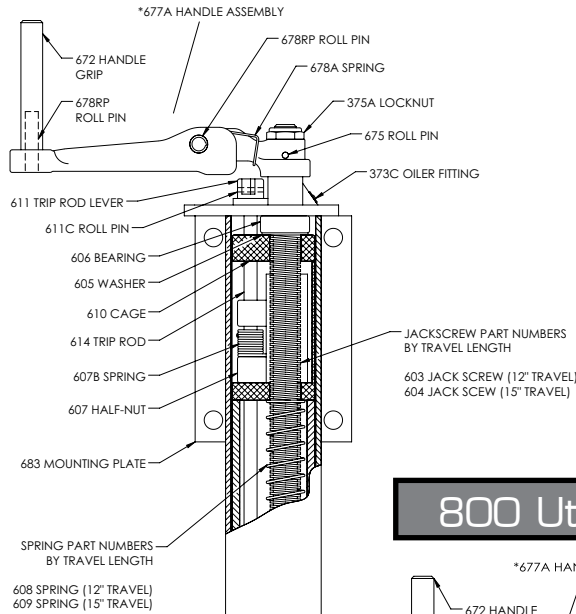
- Never operate jack on uneven ground or where there is a chance of the lifted load shifting
- Never place more of a load on jack or caster which is greater than the lowest rated capacity
- Lubricate jack and check jack and caster assembly for damage or worn components frequently
- Do not bind-up (Jackknife) any application as stresses can cause damage to products or components, resulting in failure and detachment of the trailer while in use



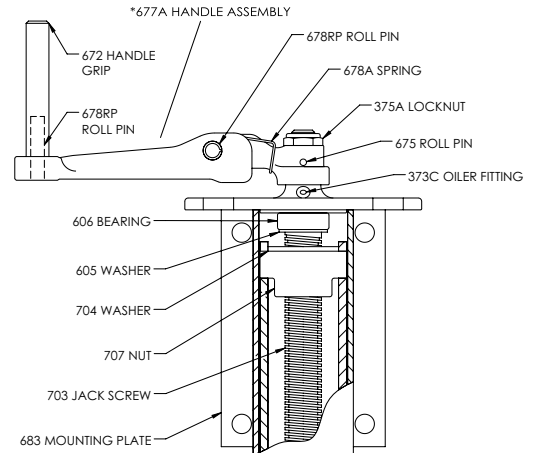
# Jack Selection Guide

The Jack Replacement Parts illustrated should accommodate most repair requirements. Complete inner and outer tube assemblies are also available. Contact Premier for more information.

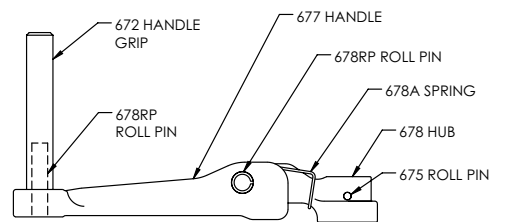
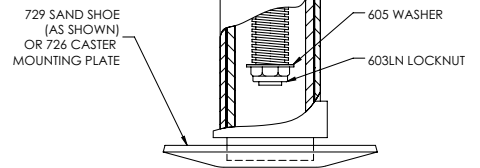
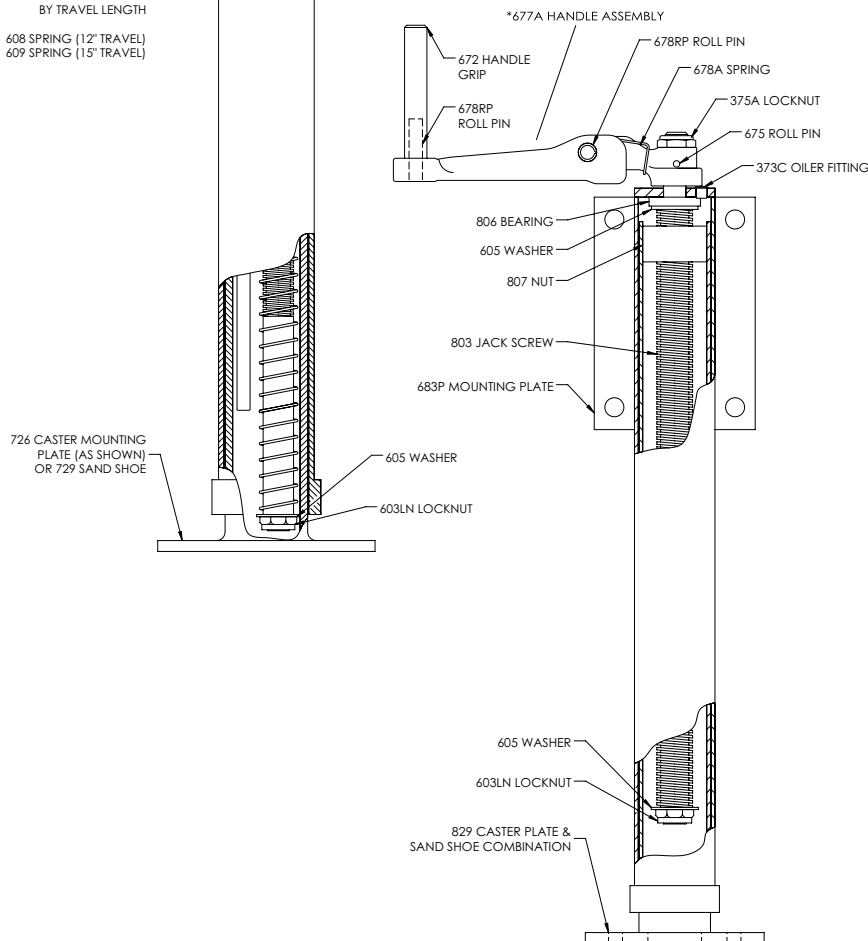
## 600 Jiffy Jack Parts



## 700 Standard Jack Parts



## 800 Utility Jack Parts



\*677A HANDLE ASSEMBLY

### IMPORTANT GUIDELINES that apply to all Premier Jacks

- Never operate jack on uneven ground or where there is a chance of the lifted load shifting
- Never place more of a load on jack or caster which is greater than the lowest rated capacity
- Lubricate jack and check jack and caster assembly for damage or worn components frequently
- Do not bind-up (Jackknife) any application as stresses can cause damage to products or components, resulting in failure and detachment of the trailer while in use

