



PREMIER
MANUFACTURING

Document #10007400

THE FIRST NAME IN QUALITY COUPLINGS

Installation, Inspection, Operation & Maintenance Guide



MODEL 2200EL COUPLING

PART #10004693

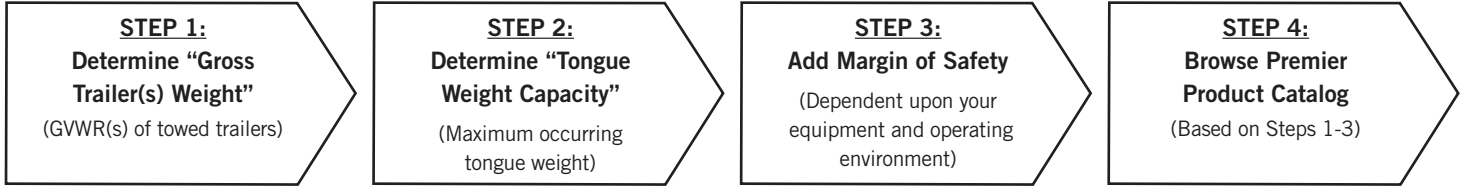
IMPORTANT

Read these instructions completely before installing, using or attempting to repair this product. If you have any questions, call Premier at (800) 255-5387 or (503) 234-9202

SELECTING THE RIGHT EQUIPMENT

Whatever your application, selecting the proper equipment for the job is very important. Proper selection along with regular inspection and maintenance will help keep operating costs minimal while providing long life to each component. Below are general guidelines for selecting Premier Coupling and Drawbar Eyes. If you feel that your application is unique, please give Premier a call so that we may help you through the selection process.

Follow these four steps to ensure proper selection of Premier Couplings and Drawbar Eyes.



STEP 1: Determine "Gross Trailer(s) Weight"

"Gross Trailer(s) Weight" is usually determined by the Gross Vehicle Weight Rating (GVWR). This information is attached to the trailer by the trailer manufacturer.

For "Double Trailer" configurations, only the rear trailer is considered when selecting your Premier Coupling or Drawbar Eye. In this example, a Coupling and Drawbar Eye with a "Gross Trailer Weight" rating of 40,000 lbs. (18,143 kg) would be the minimum rating acceptable for normal, over-the-road applications (see Tongue Weight section below).

Double Trailer Configuration



Example only, each application may vary and should be considered unique.

For "Triple Trailers", only the two most rearward trailers are considered in selecting your Premier Coupling or Drawbar Eye. In this example, a Coupling and Drawbar Eye with a "Gross Trailer Weight" rating of 80,000 lbs (36,287 kg) would be the minimum acceptable for normal, over-the-road applications. (See Tongue Weight section below).

Triple Trailer Configuration



Example only, each application may vary and should be considered unique.

STEP 2: Determine "Tongue Weight Capacity"

"Tongue Weight Capacity" is the maximum expected weight at the drawbar eye. If a hinged drawbar is used, the maximum weight will be approximately 1/2 the overall drawbar weight. If a non-hinged drawbar is used and the actual tongue weight is not known, you can approximate the weight by multiplying the GVWR of the towed trailer by 15%. However, each application is unique and the best practice is to weigh the tongue when the trailer is loaded to GVWR.



STEP 3: Consider Operating Conditions and Environments

Environments such as rough uneven roads or off-road use can dramatically increase shock loads to both drawbar eyes and couplings. In general, increasing the "Gross Trailer Weight" (Step 1:) and "Tongue Weight Capacity" (Step 2:) by a minimum of 25% will be sufficient for many applications. Even if an application is used off-road occasionally, the minimum increase necessary for Gross Trailer and Tongue Weight is 25%. Certain types of equipment and/or operating practices can also dramatically increase loads through equipment binding and/or improper loading practices. Of special concern is high tongue weight. However, each application is unique and every environment different, therefore your application may require more than 25%.

Once both "Gross Trailers(s) Weight" (Step 1:) and "Tongue Weight Capacity" (Step 2:) have been determined, evaluate your operating conditions and apply an appropriate margin of safety.

STEP 4: Browse Premier Product Catalog

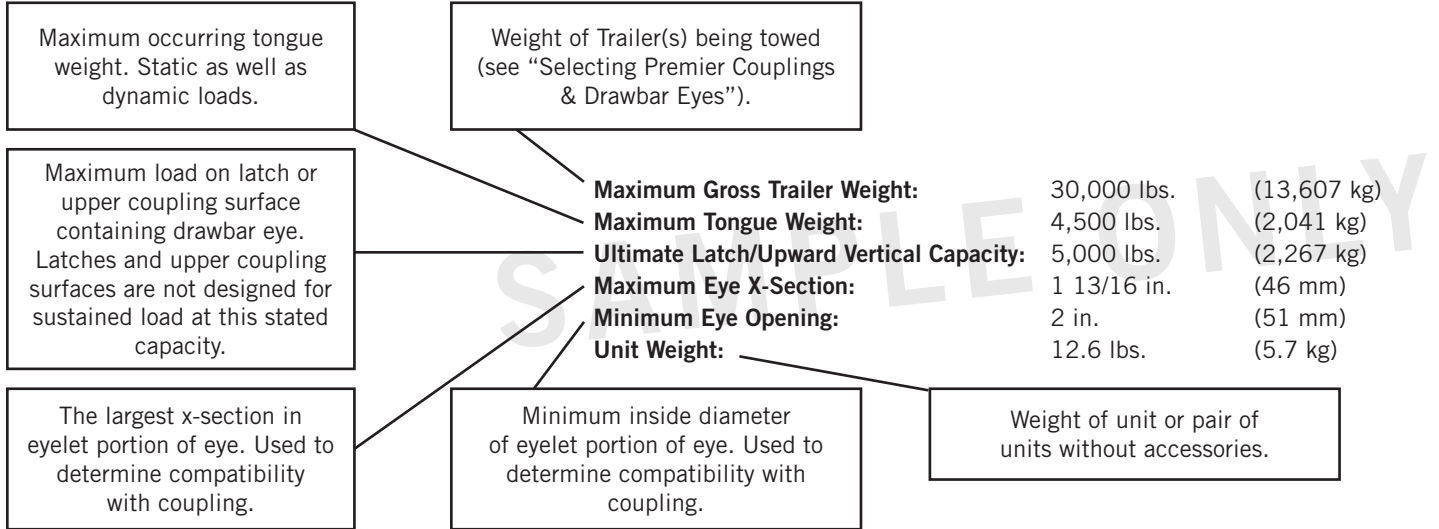
Browse the Premier Product Catalog and refer to the "Specifications" section of each product. Be sure to review the "Understanding Premier Load Specifications" sections and "Coupling to Drawbar Eye Cross-Reference" sheet on the next couple of pages.



SELECTING THE RIGHT EQUIPMENT

Understanding Premier Load Specifications

Each Premier product undergoes extensive design and testing prior to being introduced. We use the latest in Computer Aided Design and Analysis Software as well as physical destructive tests. Premier's published load specifications are the maximum load a given product or part will withstand without failure. Premier's testing procedures closely follow the Society of Automotive Engineers (SAE) guidelines of Recommended Practice for testing Couplings and Drawbar Eyes (SAE J847 & J849).



Importance of Inspection and Maintenance

Whether you use Premier Jacks, Couplings, Drawbar Eyes, Hinge Assemblies or any other Premier product, regular inspection and maintenance are essential for proper function, keeping repair costs to a minimum and above all, safe and efficient operation.

To determine wear limits, Premier created Wear Gages that help judge the useful life of couplings and drawbar eyes (details in catalog). In accordance with Premier and the Federal Motor Carrier Safety Regulations, these were designed to identify wear at the critical percentages of 18% and 20%, by measuring the cross-section of coupling hooks (horn) and drawbar eye loops. 18% wear indicates that the product should be replaced as soon as possible. At 20% wear, the product is no longer in usable condition and must be taken out of service immediately and replaced. The latch gage bar measures the gap space between the top of the coupling hook and the closed latch. If the 3/8" latch gage bar can pass between this region, then the latch components should be considered worn past safe limits and replaced. Please note that these wear gage specifications are in accordance with Premier Mfg. and the Federal Motor Carrier Safety Regulations (refer to other manufacturer's specifications for wear limits on their products).



Premier also provides Installation Guides for each of our major products. These help guide you through installation, inspection, routine maintenance and part replacement. Another resource is our website at www.premier-mfg.com. Here you will find Installation Guides, Service Guides, distributor locations, online catalogs, product information, trade show schedules and links to trucking resources.

Additional Product Resources at Your Fingertips

Customer Service: We are always here to support you. Do you need additional information or assistance? Your phone calls are greeted by our courteous receptionist, during business hours. We have exceptional, personable Customer Service Reps for you to rely on. If you have product questions or want to place an order, you can speak directly with one of our experienced and knowledgeable Customer Service Representatives.

Sales Representatives: Would you like on site training or assistance? Contact one of our veteran Premier Sales Reps for more information about product training for your staff. Or be sure to visit with them at a Trade Show (see website for schedule).

www.premier-mfg.com: Our website is an informative resource at your fingertips. In addition to our Installation and Service Guides, you will find Territory Manager contact information, distributor locations, product specifications, product selectors, cross-reference forms, digital product catalog, trade show schedule, and links to trucking resources.

MODEL 2200EL COUPLING

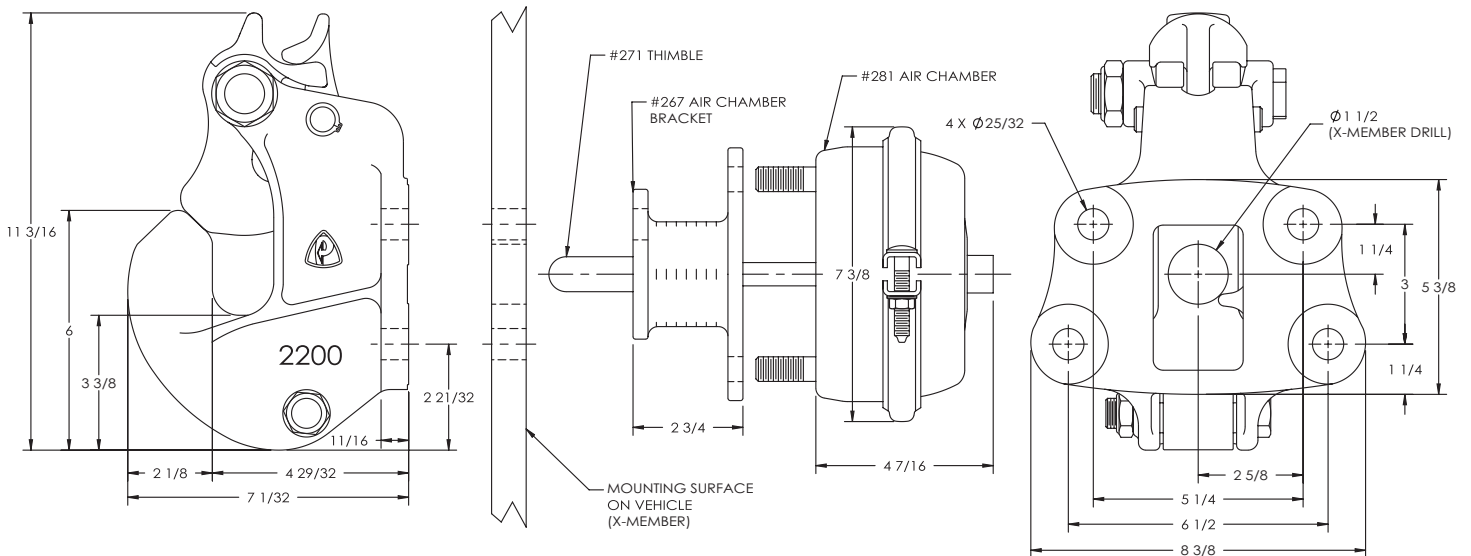
Specifications and Load Capacities

SAFETY WARNING

This product is designed for towing under normal conditions within the stated gross trailer weight. Do not overload or abuse this product. Overloading or abuse may lead to property damage, severe injury, or death.

Gross Trailer Weight:	100,000 lbs.	(45,359 kg)
Maximum Tongue Weight:	20,000 lbs.	(9,071 kg)
Ultimate Latch Capacity:	60,000 lbs.	(27,215 kg)
Maximum Eye X-Section:	1 13/16 in.	(46 mm)
Minimum Eye Opening:	2 3/8 in.	(60 mm)
Unit Weight:	28.3 lbs.	(12.8 kg)

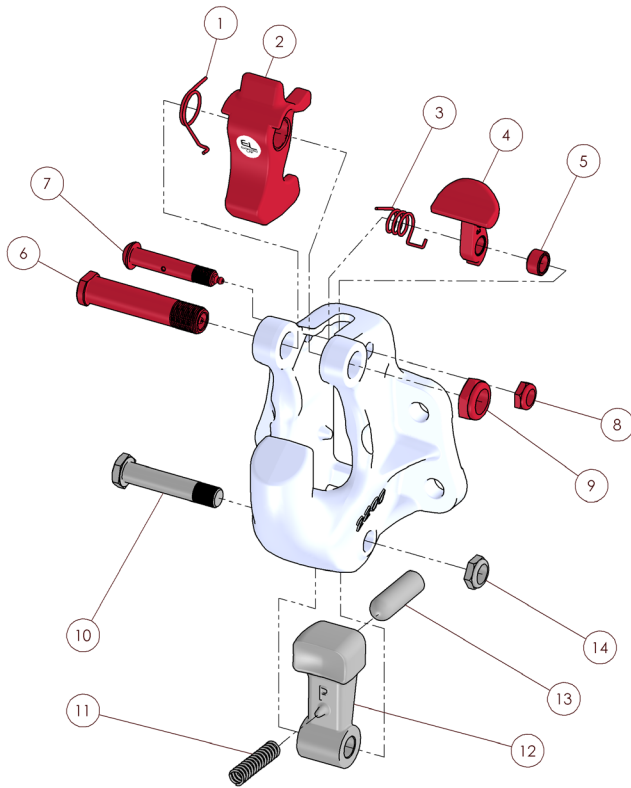
Standard Installation Drawing



Pushrod length is 3 5/8 in. (92 mm) plus thickness of mounting structure for standard installations as illustrated.

MODEL 2200EL COUPLING

Replacement Part Information



Item	Model #	Part #	Description
1	*2072A	10000224	Spring
2	*2072EL	10000227	Latch
3	*2073A	10000233	Spring
4	*2073EL	10000236	Latch Lock
5	*373B	10000341	Spacer
6	*2071EL	10000222	Bolt
7	*388BEL	10006296	Bolt
8	*375A	10000347	Locknut
9	*297	10000323	Locknut

Item	Model #	Part #	Description
10	**274	10000308	Bolt
11	**266	10000290	Spring
12	**279	10000312	Shoe
13	**271	10000107	Thimble
14	**274A	10000309	Locknut

* Included in 2000PK-EL (10000739)

** Included in 279PK (10000315)

Parts

Coupling only:

- 2200EL Coupling

Parts Included with 2200ELA:

Model #	Part #	Description
2200EL	10004693	Coupling
501	10000149	Bolt Kit
281	10000116	Air Chamber
267	10000098	Air Chamber Bracket
271	10000107	Thimble

Accessories

Optional Accessories:

- 282 Air Chamber (Type-30) (#10000122): Larger chamber diameter provides greater shoe force compared to the 281 Air Chamber.
- Air Chamber Brackets: 267H (#10000102) (3/4 in. / 19 mm), 267F (#10000101) (4 5/8 in. / 117 mm)
- Thimbles: 271B (#10000108) (4 3/8 in. / 111 mm), 271C (#10000109) (5 1/2 in. / 140 mm)
- 438 Drawbar Guides (#10004779): Helps guide drawbar eye into coupling.
- 14014 Wear Gage (#10000062) (2 1/8 in.): To determine hook wear limits.
- 14026 Latch Gage (#10000071): To determine latch gap limit.
- 501 Bolt Kit (#10000149): Mounting bolts and nuts used for non-air application.



MODEL 2200EL COUPLING

Installation

The 2200EL Coupling is only to be used and maintained with Premier parts listed in the Replacement Parts Information section. Any substitution or use of non-Premier parts in a 2200EL Coupling will VOID ALL PRODUCT WARRANTY.

Installation Procedure:

1. The 2200EL Coupling must be installed to comply with the Federal Motor Carrier Safety Regulations. Specifically, Section 393.70, Paragraph C: "Towing of Full Trailers." Prior to install or operation, consult with local, State and Federal agencies, as there may be additional applicable laws governing installation and use of this product.
2. Make certain that the cross member the 2200EL Coupling is to be mounted on is of sufficient strength to withstand the load rating of the coupling.
3. If using the 2200EL Coupling with a 281 Air Chamber, a 267 Air Chamber Bracket and a 271 Thimble, measure the mounting structure thickness and cut the pushrod on the air chamber to a length of 3 5/8" plus the mounting structure thickness (i.e. 1/2" thick mounting structure would equate to: 3 5/8" + 1/2" = 4 1/8" pushrod).
4. Using the Standard Installation Drawing, measure and layout the cross member and then drill the holes for the mounting bolts (and pushrod if used with an air chamber).
5. Mount the 2200EL Coupling using either Premier's 501 Bolt Kit and provided torque value, or four other 3/4" grade-8 bolts and grade-C locknuts. Only use new fasteners when mounting couplings or drawbar eyes and torque to SAE specifications. If using the 2200EL Coupling with a 281 Air Chamber, mount the chamber, 267 Air Chamber Bracket and 271 Thimble as shown in the Standard Installation Drawing. The two longer (2 3/4") mounting bolts in the bolt kit are used for mounting the coupling and air chamber bracket to the cross member. **WARNING:** Never use an air chamber on a Premier coupling without a 271 Series Thimble.
6. Once mounted, check the latch components for proper operation and clearances (see the Inspection/Operation/Maintenance section for opening and closing the latch). If the operation of the latch components is sticky, lubricate via the zerk fittings on the 388BEL Bolt and 2071EL Bolt with a pump or two of grease. Work the latch assembly several times to distribute the lubricants evenly and remove any excess with a rag. Do not apply lubricant to the pintle/hook or saddle area of the 2200EL Coupling.
7. Plumb the air line to the 281 Air Chamber from the vehicle's emergency side air supply. NEVER use the service side air supply.
8. **WARNING!** Keep hands clear of the 2200EL Coupling during this test. Activate the emergency side air supply by releasing the emergency brake and visually verify that the 279 Shoe fully rotates toward the pintle.
9. If the 279 Shoe does not move, verify that the air chamber has been connected to the emergency side air supply and that the pushrod length is correct.
10. When the emergency side air supply is removed, the shoe should completely retract. Please note: The 279 Shoe acts as a shock absorbing device to help smooth the ride between vehicles. It is not considered part of the latching mechanism.
11. An "IMPORTANT WARNINGS!" sticker was enclosed. This must be attached to the coupling or cross member and be visible for the end user to read.

Inspection/Operation/Maintenance

Inspection and Maintenance:

1. Visually inspect the coupling body and latch components for cracks, impact damage, and/or deformation before each and every use. Do NOT use if any of these conditions exist.
2. Check the gap between the 2072EL Latch and the top of the pintle/hook on the coupling body before each and every use. A gap of 3/8" or more means the coupling must be taken out of service and repaired or replaced.
3. If the wear area on the pintle/hook has worn 20% or more from its original cross-section, the coupling is considered out-of-service and must NOT be used.
4. Lubrication of the zerk fittings must be performed at 90-day intervals or sooner, depending on the operating environment. Lubricate the zerk fittings with a high quality grease, to evenly coat all rotation points. Rotate each latch component several times to evenly distribute the lubricant.
5. Remove any excess lubricant with a rag. Do not apply lubricant to the pintle/hook or saddle area of the coupling.
6. Never weld on any Premier part in order to repair damaged or worn areas. Field and/or shop welds are inadequate and may further weaken the coupling.
7. **WARNING:** Other inspection and maintenance procedures are also required prior to the operation of combination vehicles. Consult and follow all Federal Motor Carrier Safety Regulations as well as local, state and federal guidelines.



MODEL 2200EL COUPLING

Inspection/Operation/Maintenance

Operation:

OPENING Coupling Latch: *(See specific model of coupling for proper opening instructions)*

1. While facing the mounted 2200EL Coupling, push the 2073EL Latch Lock toward the mounting plate (away from you) until full rotational travel is reached. While holding the latch lock in this position, grasp the top of the 2072EL Latch and pull out toward the pintle, rotating the latch until full rotational travel is reached.
2. Holding the 2072EL Latch in place, slowly release the 2073EL Latch Lock until it has rotated into the latch.
3. Release the 2072EL Latch and the 2200EL Coupling is now open and ready to couple or uncouple.

CLOSING Coupling Latch: *(See specific model of coupling for proper closing instructions)*

4. Rotate the top of the 2072EL Latch toward the pintle until full rotational travel is reached and hold in place. Push the 2073EL Latch Lock toward the mounting plate as far as it will go.
5. While holding the 2073EL Latch Lock in this position, slowly release the 2072EL Latch. Next, release the latch lock making sure it seats fully down in the slot on top of the latch. The 2200EL Coupling is now closed.
6. To test for proper latching, apply a force toward the coupling body to the front of the 2072EL Latch (down near the top of the pintle). THE LATCH SHOULD NOT OPEN! If the latch does not stay closed, do not use until it has been repaired or replaced.
7. This product is designed to be operated within its free rotation limits. It is the responsibility of the vehicle designer/end user to ensure that these limits are not exceeded (do not bind-up/jackknife).
8. **WARNING:** Prior to towing, make certain that adequately rated safety chains have been properly connected.

IMPORTANT GUIDELINES that apply to all Premier Air Adjusted Couplings

- Do not weld on any coupling assembly
- Always use Grade-8 fasteners properly torqued
- Do not apply lubricants to the coupling hook
- Air service chamber must be Type-24 or Type-30 with 90-120 PSI air supply
- Clean & inspect coupling for damage & excessive wear prior to each and every use
- Lubricate all coupling components at a minimum of 90 day intervals
- Do not bind-up (Jackknife) any application as stresses can cause damage to products or components, resulting in failure and detachment of the trailer while in use



ATTENTION!

End Users must read and follow this information.

DISTRIBUTORS & OEM'S: Please ensure that your customers are made aware of the following information on this page.

1. VERIFY THAT BOTH COUPLING'S AND DRAWBAR EYE'S RATED CAPACITIES MEET YOUR APPLICATION(S) REQUIREMENTS.
2. DO NOT OVERLOAD COUPLING OR DRAWBAR EYE.
3. INSPECT COUPLING, LATCH AND DRAWBAR EYE FOR CRACKS, BENDING DAMAGE OR EXCESSIVE WEAR.
DO NOT USE IF ANY OF THESE CONDITIONS EXIST!
4. CHECK FOR GAP BETWEEN CLOSED LATCH AND TOP OF HORN OR COUPLING BALL.
DO NOT USE IF GAP IS 3/8 IN. OR MORE.
5. MAKE SURE COUPLING IS LATCHED AND THAT LATCH WILL NOT OPEN.
6. PRIOR TO USE, ALWAYS CONNECT SAFETY CHAINS OF ADEQUATE STRENGTH FOR LOAD(S) BEING TOWED.
7. DO NOT BIND-UP (JACKKNIFE) ANY APPLICATION AS STRESSES CAN CAUSE DAMAGE TO THE COUPLING, DRAWBAR EYE, OTHER COMPONENTS OR ANY COMBINATION OF THEM. JACKKNIFING MAY RESULT IN FAILURE OF PRODUCTS OR COMPONENTS, RESULTING IN DETACHMENT OF THE TRAILER WHILE IN USE.
8. DO NOT APPLY LUBRICANTS TO THE COUPLING HOOK OR DRAWBAR EYE LOOP, AS THEY CAN COVER UP POSSIBLE DAMAGE AND ACCELERATE WEAR.
9. ALWAYS ABIDE BY ALL APPLICABLE STATE AND FEDERAL REGULATIONS GOVERNING SAFE AND PROPER TRANSPORTATION.
10. NEVER STRIKE ANY OF THESE COMPONENTS WITH A HAMMER OR ANY OTHER DEVICE.
11. ALWAYS VERIFY PROPER OPERATION OF LATCHING SYSTEM AND COUPLING COMPONENTS PRIOR TO DRIVE OFF.
12. NEVER USE A COUPLING THAT YOU DO NOT FULLY UNDERSTAND HOW TO PROPERLY OPERATE AND VERIFY SECURE LATCHING OF.
13. **NEVER REPLACE ANY PART IN ANY OF PREMIER'S ASSEMBLIES WITH NON-PREMIER COMPONENTS. DOING SO WILL VOID ALL WARRANTY AND POTENTIALLY COMPROMISE THE UNIT'S INTEGRITY, WHICH COULD RESULT IN PROPERTY DAMAGE, SERIOUS INJURY, OR DEATH.**



WARNING!

This envelope contains important instructions
**AND MUST REMAIN ATTACHED TO THIS
COUPLING.** It may be removed only by the End
User or by an Original Equipment Manufacturer
who preserves this envelope and instructions and
provides it to the end user.



PREMIER MANUFACTURING
THE FIRST NAME IN QUALITY COUPLINGS
800-255-5387 (503)234-9202
www.premier-mfg.com

Model 2200EL Coupling
Revised: 5/2023

WARRANTY: We warrant all Premier products to be free from defects in material or workmanship for one year. We will repair or replace, at our option, any Premier product which our examination reveals to be defective, provided that the product is returned to our factory, at Tualatin, Oregon transportation prepaid, within one year of purchase by the first retail purchaser. Our warranty does not extend to products which have been subject to misuse, neglect, improper installation, maintenance or application, nor does our warranty extend to products which have been repaired or altered outside of 3UHPLHU-V facility unless the repair or alteration has been expressly authorized in writing by Premier. **This warranty is in lieu of all other warranties, express or implied, and excludes warranties of merchantability, fitness for a particular purpose and otherwise, and in no event will Premier be liable for incidental, special, contingent or consequential damages.**

DISCLAIMER: Although great care has been taken to ensure accurate information throughout this document, Premier Manufacturing must reserve the right to alter any information contained within. These changes include but are not limited to: Dimensional changes, load capacity and availability of any part or assembly.

© 2009 Premier Manufacturing

All rights reserved. Any reproduction of the photographic images or any other portion of this document, including but not limited to the photocopying, or retention and/or storage in a retrieval system of any kind, is strictly prohibited without prior express written permission from Premier Manufacturing.

