



PREMIER

MANUFACTURING

THE FIRST NAME IN QUALITY COUPLINGS

2025 CATALOG

ATTENTION !

END USERS MUST READ AND FOLLOW THIS INFORMATION.

DISTRIBUTORS & OEM'S: PLEASE ENSURE THAT YOUR CUSTOMERS ARE MADE AWARE OF THE FOLLOWING INFORMATION ON THIS PAGE.

- (1) **VERIFY THAT BOTH COUPLING'S AND DRAWBAR EYE'S RATED CAPACITIES MEET YOUR APPLICATION(S) REQUIREMENTS.**
- (2) DO NOT OVERLOAD COUPLING OR DRAWBAR EYE.
- (3) INSPECT COUPLING, LATCH AND DRAWBAR EYE FOR CRACKS, BENDING DAMAGE OR EXCESSIVE WEAR. **DO NOT USE IF ANY OF THESE CONDITIONS EXIST!**
- (4) CHECK FOR GAP BETWEEN CLOSED LATCH AND TOP OF HORN OR COUPLING BALL. **DO NOT USE IF GAP IS 3/8 IN. OR MORE.**
- (5) MAKE SURE COUPLING IS LATCHED AND THAT LATCH WILL NOT OPEN.
- (6) PRIOR TO USE, ALWAYS CONNECT SAFETY CHAINS OF ADEQUATE STRENGTH FOR LOAD(S) BEING TOWED.
- (7) DO NOT BIND-UP (JACKKNIFE) ANY APPLICATION AS STRESSES CAN CAUSE DAMAGE TO THE COUPLING, DRAWBAR EYE, OTHER COMPONENTS OR ANY COMBINATION OF THEM. JACKKNIFING MAY RESULT IN FAILURE OF PRODUCTS OR COMPONENTS, RESULTING IN DETACHMENT OF THE TRAILER WHILE IN USE.
- (8) DO NOT APPLY LUBRICANTS TO THE COUPLING HOOK OR DRAWBAR EYE LOOP, AS THEY CAN COVER UP POSSIBLE DAMAGE AND ACCELERATE WEAR.
- (9) ALWAYS ABIDE BY ALL APPLICABLE STATE AND FEDERAL REGULATIONS GOVERNING SAFE AND PROPER TRANSPORTATION.
- (10) NEVER STRIKE ANY OF THESE COMPONENTS WITH A HAMMER OR ANY OTHER DEVICE.
- (11) ALWAYS VERIFY PROPER OPERATION OF LATCHING SYSTEM AND COUPLING COMPONENTS PRIOR TO DRIVE OFF.
- (12) NEVER USE A COUPLING THAT YOU DO NOT FULLY UNDERSTAND HOW TO PROPERLY OPERATE AND VERIFY SECURE LATCHING OF.
- (13) **NEVER REPLACE ANY PART IN ANY OF PREMIER'S ASSEMBLIES WITH NON-PREMIER COMPONENTS. DOING SO WILL VOID ALL WARRANTY AND POTENTIALLY COMPROMISE THE UNIT'S INTEGRITY, WHICH COULD RESULT IN PROPERTY DAMAGE, SERIOUS INJURY, OR DEATH.**



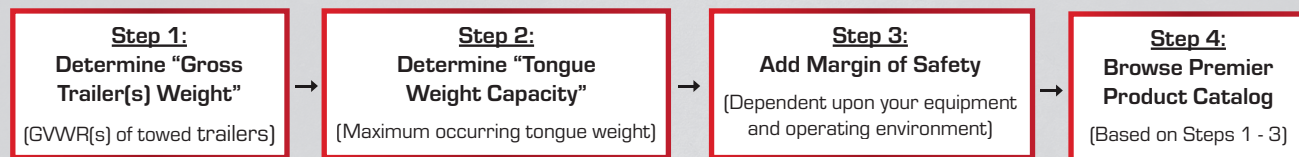
Table of Contents

Description	Page	Description	Page	Description	Page
Attention all Distributors, OEMs & Customers: Important Warning Instructions		Drawbar Eyes		450 / 450A	
	2	Drawbar Eye to Wear Gage Cross Reference Chart	46	455 / 455A	65
Selecting Equipment	4-8	2	51	930A	66
How to Select	4-5	3	51	Hinge Assembly Part Number Reference Guide.....	67
Coupling to Drawbar Eye Cross Reference Chart	6	4	51	Dolly Jacks	68-74
Wear Gage to Coupling Cross Reference Chart	7	5	51	Jack Selection Guide	69
Wear Gage to Drawbar Eye Cross Reference Chart	7	6	47	600	70
Premalloy Description	8	6A	47	700	71
Silver Series Description	8	8	47	Swivel Mounts	71
Extended Life "EL" Description.....	8	20	48	800	72
Saf-T-Latch Description	8	21	49	Casters	72
Couplings	9-43	22	49	Replacement Parts Illust.	73
Slack Reducing System	9	23	49	Jacks, Casters, Swivels & Service Part Number Reference Guide.....	74
16	27	108	52	Accessories	75-82
24	27	110	48	150 Coupling Balls	80
1200	10	123	48	165 Receiver	79
1300	11	127 / 127F	53	166 Receiver	79
1400	12	200	53	500 Slack Adjuster	78
1400H	13	200L	53	Air Chambers	77
130	28	205	50	Air Chamber Brackets	77
135NT	29	207	56	Bolt Kits	78
140	28	238DB	55	Couplers	77
150	30	245DB	55	Drawbar Guides	76
160	31	245DB-3	55	Parts Kits & Repair Kits	80
160HD	32	300	54	Safety Chain Hangers	81
235NT	33	300HD	54	Thimbles	77
235SM	34	304	52	Wear Gages	76
240	35	305	50	Accessories Part Number Reference Guide	82
240K	36	307	56	Glossary of Terms	83-84
270	20	309	52	Notes	85-86
335NTEL.....	37	405	57	Warranty	87
370	21	407SE	56		
370B	22	Adjustable Drawbar Eye	46		
480	38	Induction Hardening	46		
570	23	Drawbar Eye Part Number Reference Guide.....	58		
580	39	Front End Housings	59-62		
580J	40	340S / 340SA	60		
690L	41	435 / 435A	60		
820ELA	24-25	536	61		
990L / 990R	42	546	61		
2200 / 2200L	14	556	61		
2200EL / 2200ELL	15	640S / 640SA	60		
2300	16	956BK	62		
2400	17	Front End Housing Part Number Reference Guide.....	67		
2400H	18	Hinge Assemblies	63-66		
2880.....	19	320 / 320A	63		
Coupling Part Number Reference Guide.....	43-44	330 / 330A	63		
		430 / 430A	64		
		440 / 440A	64		

Selecting The Right Equipment

Whatever your application, selecting the proper equipment for the job is very important. Proper selection along with regular inspection and maintenance will help keep operating costs minimal while providing long life to each component. Below are general guidelines for selecting Premier Couplings and Drawbar Eyes. If you feel that your application is unique, please give Premier a call so that we may help you through the selection process.

Follow these four steps to ensure proper selection of Premier Couplings and Drawbar Eyes.



Step 1: Determine "Gross Trailer(s) Weight"

"Gross Trailer(s) Weight" is usually determined by the Gross Vehicle Weight Rating (GVWR). This information is attached to the trailer by the trailer manufacturer.

Double Trailer Configuration



Example only, each application may vary and should be considered unique.

For "Double Trailer" configurations, only the rear trailer is considered when selecting your Premier Coupling or Drawbar Eye. In this example, a Coupling and Drawbar Eye with a "Gross Trailer Weight" rating of 40,000 lbs. (18,143 kg) would be the minimum rating acceptable for normal, over-the-road applications (see Tongue Weight section below).

Triple Trailer Configuration



Example only, each application may vary and should be considered unique.

For "Triple Trailers", only the two most rearward trailers are considered in selecting your Premier Coupling or Drawbar Eye. In this example, a Coupling and Drawbar Eye with a "Gross Trailer Weight" rating of 80,000 lbs. (36,287 kg) would be the minimum acceptable for normal, over-the-road applications (see Tongue Weight section below).

Step 2: Determine "Tongue Weight Capacity"



"Tongue Weight Capacity" is the maximum expected weight at the drawbar eye. If a hinged drawbar is used, the maximum weight will be approximately 1/2 the overall drawbar weight. If a non-hinged drawbar is used and the actual tongue weight is not known, you can approximate the weight by multiplying the GVWR of the towed trailer by 15%. However, each application is unique and the best practice is to weigh the tongue when the trailer is loaded to its GVWR.

Step 3: Considering Operating Conditions and Environments

Environments such as rough uneven roads or off-road use can dramatically increase shock loads to both drawbar eyes and couplings. In general, increasing the "Gross Trailer Weight" (Step 1:) and "Tongue Weight Capacity" (Step 2:) by a minimum of 25% will be sufficient for many applications. Even if an application is used off-road occasionally, the minimum increase necessary for Gross Trailer and Tongue Weight is 25%. Certain types of equipment and/or operating practices can also dramatically increase loads through equipment binding and/or improper loading practices. Of special concern is high tongue weight. However, each application is unique and every environment different, therefore your application may require more than 25%.

Once both "Gross Trailers(s) Weight" (Step 1:) and "Tongue Weight Capacity" (Step 2:) have been determined, evaluate your operating conditions and apply an appropriate margin of safety.

Step 4: Browse Premier Product Catalog

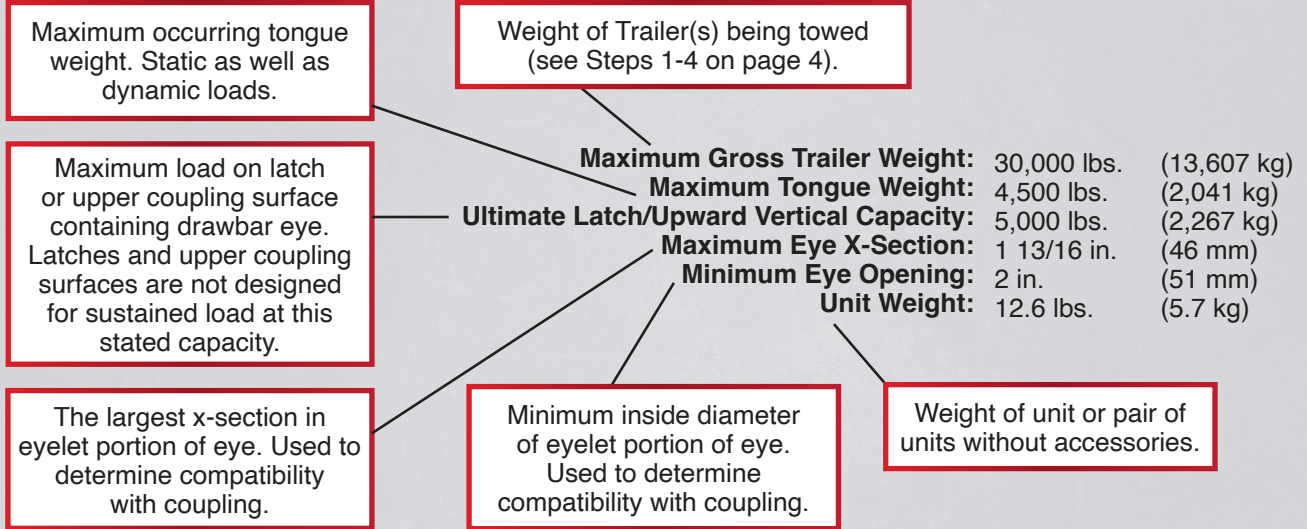
Browse the Premier Product Catalog and refer to the "Specifications" section of each product. Be sure to review the "Understanding Premier Load Specifications" section and "Coupling to Drawbar Eye Cross-Reference" sheet on the next couple pages.



Selecting The Right Equipment

Understanding Premier Load Specifications

Each Premier product undergoes extensive design and testing prior to being introduced. We use the latest in Computer Aided Design and Analysis Software as well as physical destructive tests. Premier's published load specifications are the maximum load a given product or part will withstand without failure. Premier's testing procedures closely follow the Society of Automotive Engineers (SAE) guidelines of Recommended Practice for testing Couplings and Drawbar Eyes (SAE J847 & J849).



Importance of Inspection and Maintenance

Safety is our #1 Priority: Through high quality designs and unsurpassed quality control procedures, Premier assures our customers that our focus on safety continues to be our #1 priority.

Scheduled Inspection & Maintenance: Regularly scheduled inspection and maintenance are essential for maintaining safe and efficient operations whether you are using Couplings, Drawbar Eyes, Jacks, Hinge Assemblies, or any other Premier product. Inspection and maintenance are necessary for proper function and will also keep repair costs to a minimum.

Technical Literature: Premier provides important literature to assist you with our products. We package and attach *Installation, Inspection, Operation & Maintenance Guides, or Service Guides*, to each of our major products. This literature is also available to view and/or print from our website at www.premier-mfg.com. These supply you with important information and help guide you through installation, inspection, operation, routine maintenance and part replacement.

Wear Gages: In accordance with the Federal Motor Carrier Safety Regulations, we created Wear Gages to assist you in determining the wear limits of Premier couplings and drawbar eyes. See details on catalog pages 7 & 76.

Additional Product Resources at Your Fingertips

Customer Service: We are always here to support you. Do you need additional information or assistance? Your phone calls are greeted by our courteous receptionist, during business hours. We have exceptional, personable Customer Service Reps for you to rely on. If you have product questions or want to place an order, you can speak directly with one of our experienced and knowledgeable Customer Service Representatives.

Sales Representatives: Would you like on site training or assistance? Contact one of our veteran Premier Sales Reps for more information about product training for your staff. Or be sure to visit with them at a Trade Show (see website for schedule).

www.premier-mfg.com: Our website is an informative resource at your fingertips. In addition to our Installation and Service Guides, you will find our Sales Representatives, distributor locations, online catalog pages, product specifications, how to select product, trade show schedule, and links to trucking resources.



Selecting The Right Equipment

Coupling - to - Drawbar Eye, Cross Reference Chart



	DRAWBAR EYES																												
	2	3	4	5	6/6A	8	20	21	22	23	108	110	123	127/127F	200	200L	205	207	238DB	245DB	245DB-3	300/300HD	304	305	307	309	405	407SE	
16	*	*	*	*	*	*	*	*	*	*	*	*	*	*	*	*	*	*	*	*	*	*	*	*	*	*	*	*	*
24	*																												
130	*	*	*	*	*	*	*	*	*	*	*	*	*	*	*	*	*	*	*	*	*	*	*	*	*	*	*	*	*
135NT		*	*	*	*	*	*	*	*	*	*	*	*	*	*	*	*	*	*	*	*	*	*	*	*	*	*	*	*
140	*	*																											
150/150-1			*	*	*	*	*	*	*	*	*	*	*	*	*	*	*	*	*	*	*	*	*	*	*	*	*	*	*
160	*	*	*	*	*	*	*	*	*	*	*	*	*	*	*	*	*	*	*	*	*	*	*	*	*	*	*	*	*
160HD	*	*	*	*	*	*	*	*	*	*	*	*	*	*	*	*	*	*	*	*	*	*	*	*	*	*	*	*	*
235NT			*	*	*	*	*	*	*	*	*	*	*	*	*	*	*	*	*	*	*	*	*	*	*	*	*	*	*
235SM			*	*	*	*	*	*	*	*	*	*	*	*	*	*	*	*	*	*	*	*	*	*	*	*	*	*	*
240		*	*	*	*	*	*	*	*	*	*	*	*	*	*	*	*	*	*	*	*	*	*	*	*	*	*	*	*
240K/240KL			*	*	*	*	*	*	*	*	*	*	*	*	*	*	*	*	*	*	*	*	*	*	*	*	*	*	*
240KSA			*	*	*	*	*	*	*	*	*	*	*	*	*	*	*	*	*	*	*	*	*	*	*	*	*	*	*
270			*	*	*	*	*	*	*	*	*	*	*	*	*	*	*	*	*	*	*	*	*	*	*	*	*	*	*
335NTEL																			*		*	*	*	*	*	*	*	*	*
370			*	*	*	*	*	*	*	*	*	*	*	*	*	*	*	*	*	*	*	*	*	*	*	*	*	*	*
370B			*	*	*	*	*	*	*	*	*	*	*	*	*	*	*	*	*	*	*	*	*	*	*	*	*	*	*
480			*	*	*	*	*	*	*	*	*	*	*	*	*	*	*	*	*	*	*	*	*	*	*	*	*	*	*
570			*	*	*	*	*	*	*	*	*	*	*	*	*	*	*	*	*	*	*	*	*	*	*	*	*	*	*
580	*	*	*	*	*	*	*	*	*	*	*	*	*	*	*	*	*	*	*	*	*	*	*	*	*	*	*	*	*
580J		*	*	*	*	*	*	*	*	*	*	*	*	*	*	*	*	*	*	*	*	*	*	*	*	*	*	*	*
690L			*	*	*	*	*	*	*	*	*	*	*	*	*	*	*	*	*	*	*	*	*	*	*	*	*	*	*
820EL			*	*	*	*	*	*	*	*	*	*	*	*	*	*	*	*	*	*	*	*	*	*	*	*	*	*	*
990			*	*	*	*	*	*	*	*	*	*	*	*	*	*	*	*	*	*	*	*	*	*	*	*	*	*	*
1200			*	*	*	*	*	*	*	*	*	*	*	*	*	*	*	*	*	*	*	*	*	*	*	*	*	*	*
1300			*	*	*	*	*	*	*	*	*	*	*	*	*	*	*	*	*	*	*	*	*	*	*	*	*	*	*
1400			*	*	*	*	*	*	*	*	*	*	*	*	*	*	*	*	*	*	*	*	*	*	*	*	*	*	*
1400H			*	*	*	*	*	*	*	*	*	*	*	*	*	*	*	*	*	*	*	*	*	*	*	*	*	*	*
2200			*	*	*	*	*	*	*	*	*	*	*	*	*	*	*	*	*	*	*	*	*	*	*	*	*	*	*
2300			*	*	*	*	*	*	*	*	*	*	*	*	*	*	*	*	*	*	*	*	*	*	*	*	*	*	*
2400			*	*	*	*	*	*	*	*	*	*	*	*	*	*	*	*	*	*	*	*	*	*	*	*	*	*	*
2400H			*	*	*	*	*	*	*	*	*	*	*	*	*	*	*	*	*	*	*	*	*	*	*	*	*	*	*
2880																			*		*	*	*	*	*	*	*	*	*

CAUTION: Verify that both the coupling's and drawbar eye's rated capacities meet your application(s) requirements.

* Discontinued



Selecting The Right Equipment

Measure Wear for Safety Regulation Limits

To determine wear limits, Premier created **Wear Gages** that help judge the useful life of couplings and drawbar eyes (details on page 76). In accordance with Premier and the Federal Motor Carrier Safety Regulations, these were designed to identify wear at the critical percentages of 18% and 20%, by measuring the cross-section of coupling hooks (horn) and drawbar eye loops. **18% wear indicates that the product should be replaced as soon as possible. At 20% wear, the product is no longer in usable condition and must be taken out of service immediately and replaced.**



The latch gage bar (14026) measures the gap space between the top of the coupling hook and the closed latch. If our 3/8" latch gage bar can pass between this region, then the latch components should be considered worn past safe limits and replaced. Please note that these wear gage specifications are in accordance with Premier Mfg. and the Federal Motor Carrier Safety Regulations (refer to other manufacturer's specifications for wear limits on their products).

Our **Wear Gages** were designed to identify wear by measuring the cross-section of drawbar eye loops and coupling pintle hooks.

We offer (2) wear gage kits which are a smart and safe tool that any driver should keep on hand.

Coupling - to - Wear Gage, Cross Reference Chart

Coupling	Wear Gage #
16	N/A
24	N/A
100*	14014, 14026*
100-3	14014, 14026*
1200	14014, 14026*
1300	14014, 14026*
1400/1400H	14014, 14026*
130	14005, 14026*
135NT	14008, 14026*
140	14026*, 14032, 14035
150	14026*
160	14026*, 14035
235NT	14011, 14026*

Coupling	Wear Gage #
235SM	14011, 14026*
240	14008, 14026*
240K	14011, 14026*
270	14011, 14026*
335NTEL	14020, 14026*
360*	14011, 14026*
370	14011, 14026*
370B	14011, 14026*
470	14011, 14026*
470H*	14011, 14026*
480	14014, 14026*
570	14014, 14026*
580	14008, 14026*

Coupling	Wear Gage #
580J	14011, 14014, 14026*
690L	14014, 14026*
780*	14011, 14014, 14026*
790*	14026*
820	14014, 14026*
880*	14020, 14026*
890CL / 890CR*	14014, 14026*
990L / 990R	14014, 14026*
2200	14014, 14026*
2300	14014, 14026*
2400	14014, 14026*
2400H	14014, 14026*
2880	14038, 14026*

*14026 is the Latch Gage Bar to measure the gap space between latch & hook.

*Discontinued

Drawbar Eye - to - Wear Gage, Cross Reference Chart

Drawbar Eye	Wear Gage #
2	n/a
3	14002
4	14005
5	14005 & 14008
6	14032
6A	14032
8	14005
11	14002
20	14005
21	14005
22	14005
23	14005

Drawbar Eye	Wear Gage #
107*	14005 & 14032
108	14005 & 14032
110	14005 & 14032
123	14005
127/127F	14005 & 14032
200	14005
200L	14005
205	14005 & 14032
207	14005

Drawbar Eye	Wear Gage #
300/300HD	14032
304	14005, 14035
305	14032 & 14008
307	14032
309	14032 & 14008
405	14032 & 14008
405SE	14032 & 14008
407SE	14032 & 14008
238DB	14005
245DB	14005
245DB-3	14005

*Discontinued



Innovation Through Technology

Premalloy - Premier's Exclusive Alloy

"The harder you work it, the harder it gets" best describes how Premalloy performs. Premalloy actually work-hardens at the contact surfaces during normal use, which results in longer service life. Premalloy is highly recommended for off-road and aggregate type applications due to its wear-resistant characteristics. Many of Premier's couplings are made from this exclusive material.

As you are browsing the catalog, look for the Premalloy icon next to the product photos to determine which models are made of this material.



PREMALLOY
The Harder You Work,
The Harder It Gets

Silver Series - A Step Up in Strength and Durability

The Silver Series line of couplings and pintle hitches boast beefed-up latch capacities that increased wear-resistance while eliminating weight. Topology optimization, finite element analysis, casting flow simulations, and solidification studies were used by Premier engineers to design these couplings. Thanks to the work of Premier's engineering team, the Silver Series couplings and pintle hitches are harder than their predecessors, correlating to a significant reduction in wear.

Silver Series coupling models 1200, 1300, 1400 and 1400H can be found on pages 10-13.



SILVER SERIES

Extended Life - Your Ally Against Corrosion

The "Extended Life" latch option (EL) is now available on our 2000 Series Couplings. This new design was a direct response for you to fight the war on corrosion. We engineered latch lubrication ports that deliver lubricant directly to the pivot points of our latch system. This direct-inject system provides for a rapid delivery of lubricant - right where it counts. The result is smooth, consistent latch performance over an extended period of time.

You can request the EL option with our 2200, 2300, 2400, 2400H and our 2880 coupling "The Beast".



EXTENDED LIFE
Your Ally Against Corrosion

Saf-T-Latch - Lock In Safety and Security

The patented Saf-T-Latch has a small air cylinder inside the coupling body that is connected to the air chamber. When the chamber is pressurized by releasing the emergency brake, the cylinder rod extends and contacts the pocket in the lower latch which rotates to the closed position in the event the latch is inadvertently left open.

*Closing and making sure the latch is closed correctly is always the responsibility of the person making the coupling connection and the driver's responsibility to verify that the equipment is correctly connected prior to moving the vehicle. In the event the coupling is not properly closed, the Saf-T-Latch acts as a safeguard to close the latch with the release of the air brakes.



SAF-T-LATCH
Lock In Safety
And Security



PREMIER

MANUFACTURING

SLACK REDUCING COUPLINGS

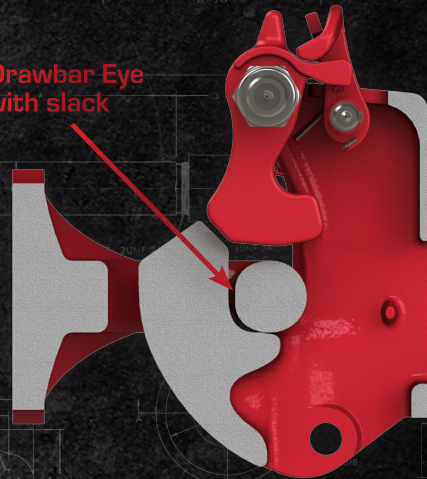
PREMIER'S SLACK REDUCING SYSTEM WAS SPECIFICALLY DESIGNED TO IMPROVE DRIVABILITY AND REDUCE WEAR.

This is accomplished by applying a clamping force with our shoe against the drawbar eye. The shoe thereby keeps the drawbar eye snug against the pintle (horn) at the coupling to drawbar eye connection. This drastically reduces the slamming, back and forth movement of the drawbar eye loop on the coupling pintle (horn).

NO SLACK REDUCING SYSTEM

This image shows the internal components of the connection between the drawbar eye and the coupling without our slack reducing system. Note that there is slack that would allow the drawbar eye to move back & forth on the pintle (horn) when in use.

Drawbar Eye with slack



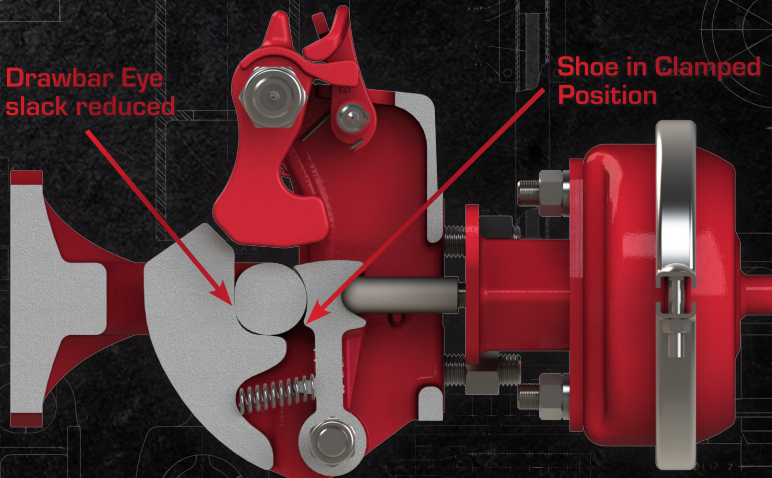
Note: The drawbar eye and coupling are sliced in half for viewing purposes. The light gray represents the cut portions.

WITH SLACK REDUCING SYSTEM

This image shows the slack reducing system in operation and the shoe in the clamped position. With the shoe engaged, the drawbar eye is now snug against the pintle (horn). This removes the slack between the two components, thereby taking out the freeplay movement and improving drivability.

Drawbar Eye slack reduced

Shoe in Clamped Position



IMPORTANT GUIDELINES THAT APPLY TO ALL PREMIER SLACK REDUCING COUPLINGS

- Do not weld on any coupling assembly
- Always use Grade-8 fasteners properly torqued
- Do not apply lubricants to the coupling hook
- Air service chamber must be Type-24 or Type-30 with 90-120 PSI air supply
- Clean & inspect coupling for damage & excessive wear prior to each and every use
- Lubricate all coupling components at a minimum of 90 day intervals
- Do not bind-up (Jackknife) any application as stresses can cause damage to products or components, resulting in failure and detachment of the trailer while in use

1200 Slack Reducing Coupling

ORDERING INFORMATION



OPERATION WITH OR WITHOUT AIR SERVICE CHAMBER

Coupling Only:

- 1200 & 271 Thimble

Standard Installation Kit:

- 1200A: 1200 Coupling, 501 Bolt Kit, 281 Air Chamber, 267 Air Chamber Adapter Bracket, 271 Thimble
 - 1200A-2: 1200 Coupling, 281 Air Chamber, 267 Air Chamber Adapter Bracket, 271 Thimble

Optional Accessories:

- Air Chamber 282 Type-30 (pg 77): Provides a larger diaphragm for greater shoe force compared to 281 Air Chamber
 - Air Chamber Brackets (pg 77): 267H (3/4 in. / 19 mm), 267F (4 5/8 in. / 117 mm)
 - Thimbles (pg 77): 271B (4 3/8 in. / 111 mm), 271C (5 1/2 in. / 140 mm)
 - Wear Gage 14014 (pg 76): To determine hook wear limits
 - Latch Gage 14026 (pg 76): To determine latch gap limit
 - Bolt Kit 501 (pg 78): Bolts (4) 2 1/2 in. (2) 2 3/4 in., Locknuts (6)
 - 438 Drawbar Guides (pg 76): Helps guide drawbar eye into coupling.

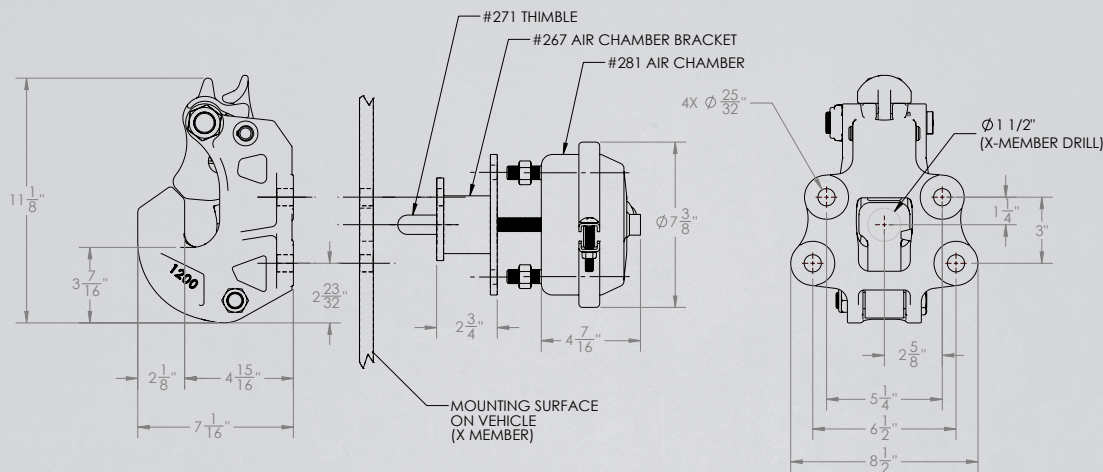
SPECIFICATIONS

Maximum Gross Trailer Weight:	100,000 lbs.	(45,359 kg)
Maximum Tongue Weight:	20,000 lbs.	(9,072 kg)
Ultimate Latch Capacity:	60,000 lbs.	(27,216 kg)
Maximum Eye X-Section:	1 13/16 in.	(46 mm)
Minimum Eye Opening:	2 3/8 in.	(60 mm)
Unit Weight:	30.5 lbs.	(13.8 kg)

This Silver Series coupling provides an economical alternative to our Premalloy coupling. The **NEW 1200** replaces* the discontinued 100 series. Using a high strength alloy and Finite Element Analysis, engineers increased the wear resistance and latch capacity while reduced the weight. The 1200 has the same bolt pattern as the 2200 & 270 models.
 *Note: push rod length changed.

PART #10005664

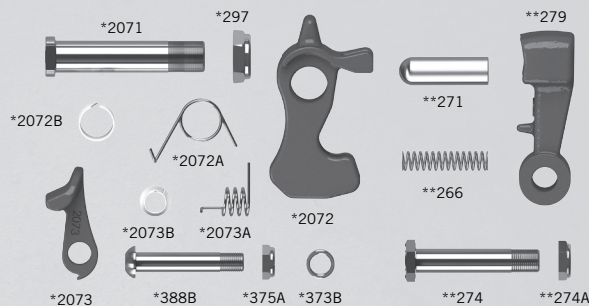
STANDARD INSTALLATION DRAWING



Pushrod length is 3 5/8 in. (92 mm) plus thickness of mounting structure for standard installations as illustrated..

REPLACEMENT PART INFORMATION

- | | |
|-------------------|----------------|
| *2072A: Spring | *388B: Bolt |
| *2072: Latch | *375A: Locknut |
| *2072B: Bushing | *297: Locknut |
| *2073A: Spring | **274 Bolt |
| *2073: Latch Lock | **266 Spring |
| *2073B: Bushing | **279 Shoe |
| *373B: Spacer | **271 Thimble |
| *2071: Bolt | **274A Locknut |



* Included in 2000PK ** Included in 279PK

* Model numbers are listed on this page. For a list of 8-digit part numbers used for ordering, see pages 43-44

* Important guidelines for this product are found on page 9



1300 Slack Reducing Coupling



OPERATION WITH OR WITHOUT AIR SERVICE CHAMBER

This Silver Series coupling provides an economical alternative to our Premalloy coupling. The **NEW 1300** replaces* the discontinued 100-3 series. Using a high strength alloy and Finite Element Analysis, engineers increased the load capacity, wear resistance and latch capacity while reduced the weight. The 1300 has the same bolt pattern as the 2300 & 370 models.
*Note: push rod length changed.

PART #10005668

ORDERING INFORMATION

Coupling Only:

- 1300 & 271 Thimble

Standard Installation Kit:

- **1300A:** 1300 Coupling, 502 Bolt Kit, 281 Air Chamber, 467 Air Chamber Adapter Bracket, 271 Thimble
- **1300A-2:** 1300 Coupling, 281 Air Chamber, 467 Air Chamber Adapter Bracket, 271 Thimble

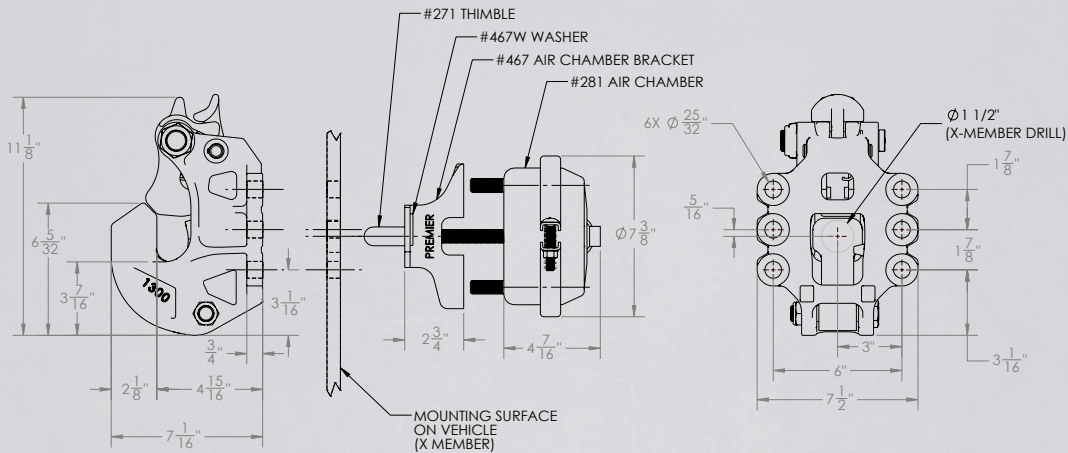
Optional Accessories:

- **Air Chamber 282 Type-30 (pg 77):** Provides a larger diaphragm for greater shoe force compared to 281 Air Chamber
- **Air Chamber Brackets (pg 77):** 467H (3/4 in. / 19 mm), 467F (5 1/2 in. / 140 mm)
- **Thimbles (pg 77):** 271B (4 3/8 in. / 111 mm), 271C (5 1/2 in. / 140 mm)
- **Wear Gage 14014 (pg 76):** To determine hook wear limits
- **Latch Gage 14026 (pg 76):** To determine latch gap limit
- **Bolt Kit 502 (pg 78):** Bolts (4) 2 1/2 in. (2) 2 3/4 in., Locknuts (6)
- **378 Drawbar Guides (pg 76):** Helps guide drawbar eye into coupling.

SPECIFICATIONS

Maximum Gross Trailer Weight:	110,000 lbs.	(49,865 kg)
Maximum Tongue Weight:	20,000 lbs.	(9,072 kg)
Ultimate Latch Capacity:	60,000 lbs.	(27,216 kg)
Maximum Eye X-Section:	1 13/16 in.	(46 mm)
Minimum Eye Opening:	2 3/8 in.	(60 mm)
Unit Weight:	30.5 lbs.	(13.8 kg)

STANDARD INSTALLATION DRAWING

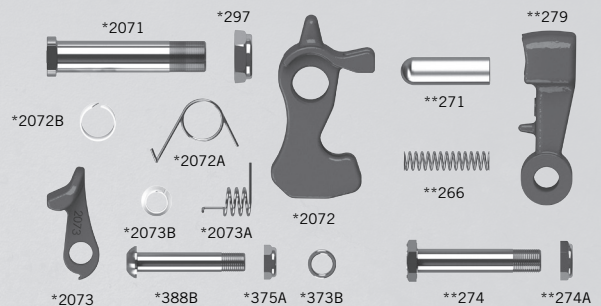


Pushrod length is 3 5/8 in. (92 mm) plus thickness of mounting structure for standard installations as illustrated.

REPLACEMENT PART INFORMATION

*2072A: Spring	*388B: Bolt
*2072: Latch	*375A: Locknut
*2072B: Bushing	*297: Locknut
*2073A: Spring	**274 Bolt
*2073: Latch Lock	**266 Spring
*2073B: Bushing	**279 Shoe
*373B: Spacer	**271 Thimble
*2071: Bolt	**274A Locknut

* Included in 2000PK ** Included in 279PK



* Model numbers are listed on this page. For a list of 8-digit part numbers used for ordering, see pages 43-44

* Important guidelines for this product are found on page 9



1400 Slack Reducing Coupling

ORDERING INFORMATION



OPERATION WITH OR WITHOUT AIR SERVICE CHAMBER

This Silver Series coupling provides an economical alternative to our Premalloy coupling. The **NEW 1400** replaces* the discontinued 100-4 series. Using a high strength alloy and Finite Element Analysis, engineers increased the wear resistance and latch capacity while reduced the weight. The 1400 has the same bolt pattern as the 2400 & 470 models.

*Note: push rod length changed.

PART #10005672

Coupling Only:

- 1400 & 271 Thimble

Standard Installation Kit:

- **1400A:** 1400 Coupling, 508 Bolt Kit, 281 Air Chamber, 467 Air Chamber Adapter Bracket, 271 Thimble
- **1400A-2:** 1400 Coupling, 281 Air Chamber, 467 Air Chamber Adapter Bracket, 271 Thimble

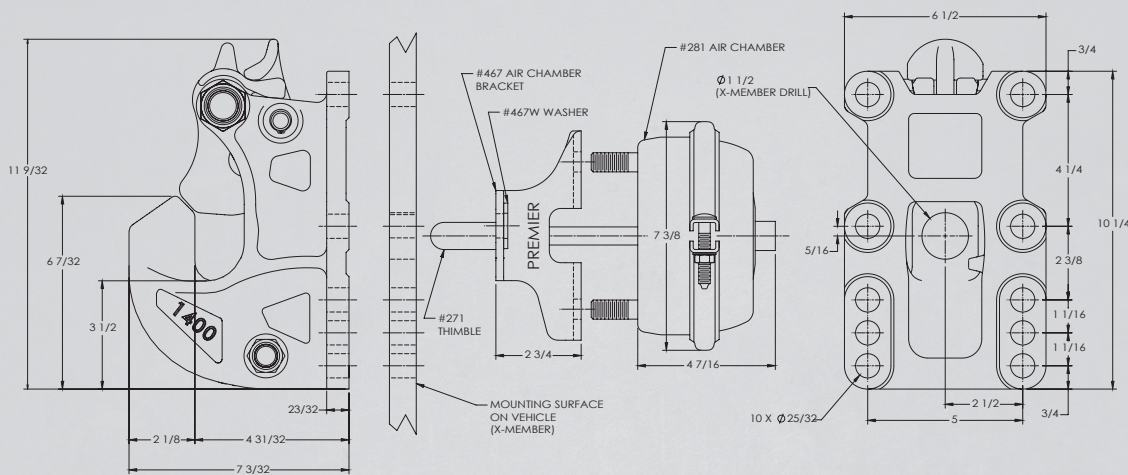
Optional Accessories:

- **Air Chamber 282 Type-30 (pg 77):** Provides a larger diaphragm for greater shoe force compared to 281 Air Chamber
- **Air Chamber Brackets (pg 77):** 467H (3/4 in. / 19 mm), 467F (5 1/2 in. / 140 mm)
- **Thimbles (pg 77):** 271B (4 3/8 in. / 111 mm), 271C (5 1/2 in. / 140 mm)
- **Wear Gage 14014 (pg 76):** To determine hook wear limits
- **Latch Gage 14026 (pg 76):** To determine latch gap limit
- **Bolt Kit 508 (pg 78):** Bolts (6) 2 1/2 in. (2) 2 3/4 in., Locknuts (8)
- **438 Drawbar Guides (pg 76):** Helps guide drawbar eye into coupling.

SPECIFICATIONS

Maximum Gross Trailer Weight:	110,000 lbs.	(49,895 kg)
Maximum Tongue Weight:	20,000 lbs.	(9,072 kg)
Ultimate Latch Capacity:	60,000 lbs.	(27,216 kg)
Maximum Eye X-Section:	1 13/16 in.	(46 mm)
Minimum Eye Opening:	2 3/8 in.	(60 mm)
Unit Weight:	31.6 lbs.	(14.3 kg)

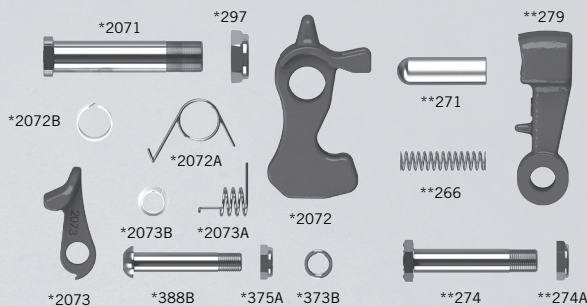
STANDARD INSTALLATION DRAWING



Pushrod length is 3 5/8 in. (92 mm) plus thickness of mounting structure for standard installations as illustrated.

REPLACEMENT PART INFORMATION

- | | |
|-------------------|----------------|
| *2072A: Spring | *388B: Bolt |
| *2072: Latch | *375A: Locknut |
| *2072B: Bushing | *297: Locknut |
| *2073A: Spring | **274 Bolt |
| *2073: Latch Lock | **266 Spring |
| *2073B: Bushing | **279 Shoe |
| *373B: Spacer | **271 Thimble |
| *2071: Bolt | **274A Locknut |



* Included in 2000PK ** Included in 279PK

* Model numbers are listed on this page. For a list of 8-digit part numbers used for ordering, see pages 43-44

* Important guidelines for this product are found on page 9



1400H Slack Reducing Coupling

2 x Ø 21/32



OPERATION WITH OR WITHOUT AIR SERVICE CHAMBER

This Silver Series coupling provides an economical alternative to our Premalloy coupling. The **NEW 1400H** replaces* the discontinued 100-4H series. Using a high strength alloy and Finite Element Analysis, engineers increased the wear resistance and latch capacity while reduced the weight. The 1400 has the same bolt pattern as the 2400H & 470H models.

*Note: push rod length changed.

PART #10005676

ORDERING INFORMATION

Coupling Only:

- 1400H & 271 Thimble

Standard Installation Kit:

- **1400HA:** 1400H Coupling, 508 Bolt Kit, 281 Air Chamber, 467 Air Chamber Adapter Bracket, 271 Thimble
- **1400HA-2:** 1400H Coupling, 281 Air Chamber, 467 Air Chamber Adapter Bracket, 271 Thimble

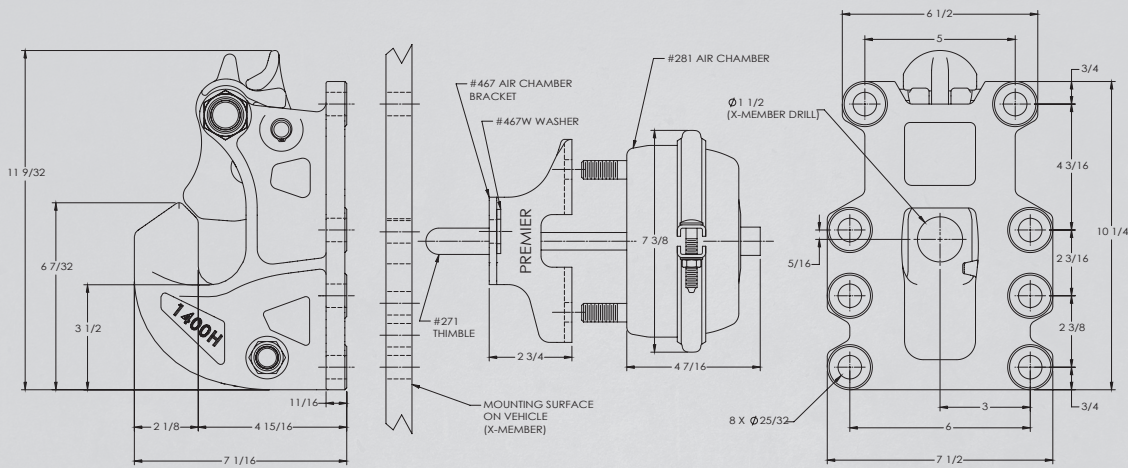
Optional Accessories:

- **Air Chamber 282 Type-30 (pg 77):** Provides a larger diaphragm for greater shoe force compared to 281 Air Chamber
- **Air Chamber Brackets (pg 77):** 467H (3/4 in. / 19 mm), 467F (5 1/2 in. / 140 mm)
- **Thimbles (pg 77):** 271B (4 3/8 in. / 111 mm), 271C (5 1/2 in. / 140 mm)
- **Wear Gage 14014 (pg 76):** To determine hook wear limits
- **Latch Gage 14026 (pg 76):** To determine latch gap limit
- **Bolt Kit 508 (pg 78):** Bolts (6) 2 1/2 in. (2) 2 3/4 in., Locknuts (8)
- **438 Drawbar Guides (pg 76):** Helps guide drawbar eye into coupling.

SPECIFICATIONS

Maximum Gross Trailer Weight:	110,000 lbs.	(49,895 kg)
Maximum Tongue Weight:	20,000 lbs.	(9,072 kg)
Ultimate Latch Capacity:	60,000 lbs.	(27,216 kg)
Maximum Eye X-Section:	1 13/16 in.	(46 mm)
Minimum Eye Opening:	2 3/8 in.	(60 mm)
Unit Weight:	32.9 lbs.	(14.9 kg)

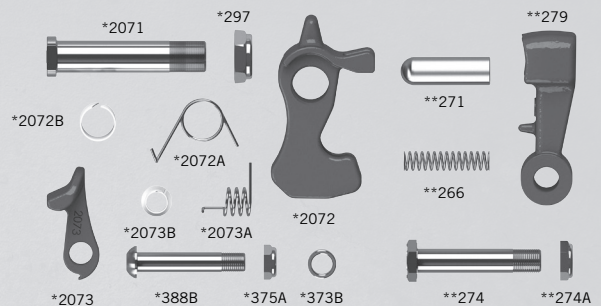
STANDARD INSTALLATION DRAWING



Pushrod length is 3 5/8 in. 92 mm] plus thickness of mounting structure for standard installations as illustrated.

REPLACEMENT PART INFORMATION

- | | |
|-------------------|----------------|
| *2072A: Spring | *388B: Bolt |
| *2072: Latch | *375A: Locknut |
| *2072B: Bushing | *297: Locknut |
| *2073A: Spring | **274 Bolt |
| *2073: Latch Lock | **266 Spring |
| *2073B: Bushing | **279 Shoe |
| *373B: Spacer | **271 Thimble |
| *2071: Bolt | **274A Locknut |



* Included in 2000PK ** Included in 279PK

* Model numbers are listed on this page. For a list of 8-digit part numbers used for ordering, see pages 43-44

* Important guidelines for this product are found on page 9



2200 / 2200L Slack Reducing Coupling

ORDERING INFORMATION



PREMALLOY

OPERATION WITH OR
WITHOUT AIR SERVICE
CHAMBER



The model 2200, like our ever popular 270 coupling, features the most popular mounting bolt pattern in the industry. All our 2000 series couplings feature exceptional latch strength, easy operation and low maintenance.

2200

PART #10004688 (shown) / #10004699

Coupling Only:

- 2200 & 271 Thimble (shown)
- 2200L & 271 Thimble: 2200 with 2075K Low Profile Lever Kit installed

Standard Installation Kit:

- 2200A: 2200 Coupling, 281 Air Chamber, 267 Air Chamber Adapter Bracket, 271 Thimble

Optional Accessories:

- Air Chamber 282 Type-30 (pg 77): Provides a larger diaphragm for greater shoe force compared to 281 Air Chamber
- Air Chamber Brackets (pg 77): 267H (3/4 in. / 19 mm), 267F (4 5/8 in. / 117 mm)
- Low Profile Lever Kit 2075K: Designed for low clearance installations (enables one-handed latch operation from the left side)
- Thimbles (pg 77): 271B (4 3/8 in. / 111 mm), 271C (5 1/2 in. / 140 mm)
- Drawbar Guides 438 (pg 76): Helps guide drawbar eye into coupling
- Wear Gage 14014 (pg 76): To determine hook wear limits
- Latch Gage 14026 (pg 76): To determine latch gap limit
- Bolt Kit 501 (pg 78): Bolts (2) 2 1/2 in. (2) 2 3/4 in., Locknuts (4)

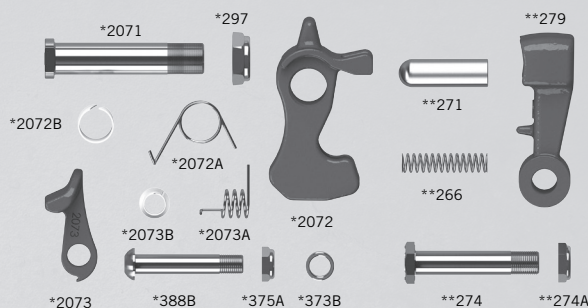
SPECIFICATIONS

Maximum Gross Trailer Weight:	100,000 lbs.	(45,359 kg)
Maximum Tongue Weight:	20,000 lbs.	(9,072 kg)
Ultimate Latch Capacity:	60,000 lbs.	(27,216 kg)
Maximum Eye X-Section:	1 13/16 in.	(46 mm)
Minimum Eye Opening:	2 3/8 in.	(60 mm)
Unit Weight:	29 lbs.	(13.2 kg)

2200 REPLACEMENT PART INFORMATION

- | | |
|-------------------|----------------|
| *2072A: Spring | *388B: Bolt |
| *2072: Latch | *375A: Locknut |
| *2072B: Bushing | *297: Locknut |
| *2073A: Spring | **274 Bolt |
| *2073: Latch Lock | **266 Spring |
| *2073B: Bushing | **279 Shoe |
| *373B: Spacer | **271 Thimble |
| *2071: Bolt | **274A Locknut |

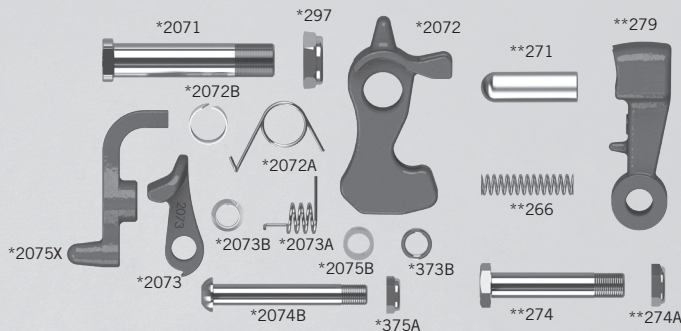
* Included in 2000PK ** Included in 279PK



2200L REPLACEMENT PART INFORMATION

- | | |
|-------------------|----------------|
| *2072A: Spring | *297 Locknut |
| *2072: Latch | **274 Bolt |
| *2073A: Spring | **266 Spring |
| *2073: Latch Lock | **279 Shoe |
| *373B Spacer | **271 Thimble |
| *2071 Bolt | **274A Locknut |
| *2074B Bolt | |
| *2075X Handle | |
| *2075B Bushing | |
| *375A Locknut | |

* Included in 2000PK-L ** Included in 279PK



* Model numbers are listed on this page. For a list of 8-digit part numbers used for ordering, see pages 43-44

* Important guidelines for this product are found on page 9



2200EL / 2200ELL Slack Reducing Coupling

ORDERING INFORMATION



OPERATION WITH OR
WITHOUT AIR SERVICE
CHAMBER

2200ELL

PART #10004693/#10004696 (shown)

Coupling Only:

- **2200EL & 271 Thimble:** 2200 with Extended Life latch direct-inject latch lubrication ports
- **2200ELL & 271 Thimble:** 2200EL with a 2075 Low Profile Lever installed (shown)

Standard Installation Kit:

- **2200ELA:** 2200EL Coupling, 501 Bolt Kit, 281 Air Chamber, 267 Air Chamber Adapter Bracket, 271 Thimble
- **2200ELLA:** 2200ELL Coupling, 501 Bolt Kit, 281 Air Chamber, 267 Air Chamber Adapter Bracket, 271 Thimble

Optional Accessories:

- See 2200 details on previous page

AVAILABLE EXTENDED LIFE OPTION



Our 2000 series just got even better. We now have an EXTENDED LIFE (EL) latch option. Engineered latch lubrication ports deliver lubricant directly to the pivot points. This direct-inject system provides a rapid delivery of lubricant right where it counts. The result is smooth, consistent latch performance over an extended period of time.

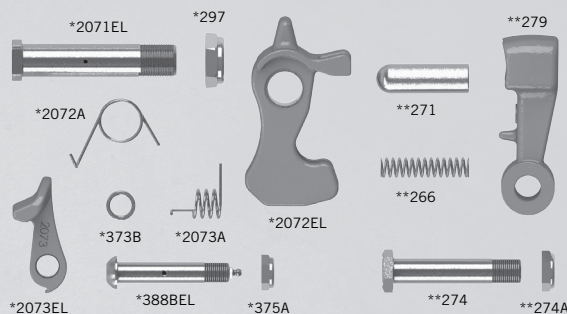
You can request the EL latch option with our coupling models 2200, 2300, 24000, 2400H, and our 2880 Coupling, "The Beast" / "La Bestia".

An Extended Life - Low Profile Lever option (ELL) is available with the coupling model 2200 only.

2200EL REPLACEMENT PART INFORMATION

- | | |
|---------------------|----------------|
| *2072A: Spring | *297 Locknut |
| *2072EL: Latch | **274 Bolt |
| *2073A: Spring | **266 Spring |
| *2073EL: Latch Lock | **279 Shoe |
| *373B Spacer | **271 Thimble |
| *2071EL Bolt | **274A Locknut |
| *388BEL Bolt | |
| *375A Locknut | |

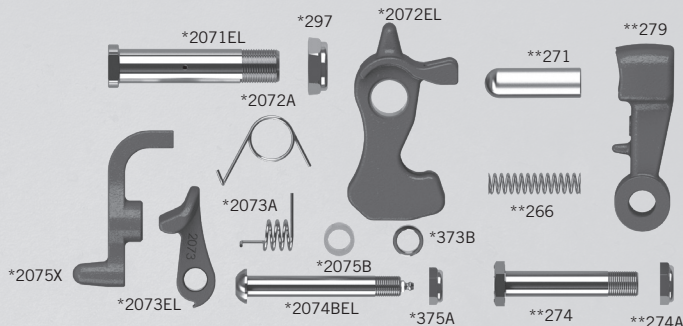
* Included in 2000PK-EL ** Included in 279PK



2200ELL REPLACEMENT PART INFORMATION

- | | |
|---------------------|----------------|
| *2072A: Spring | *297 Locknut |
| *2072EL: Latch | **274 Bolt |
| *2073A: Spring | **266 Spring |
| *2073EL: Latch Lock | **279 Shoe |
| *373B Spacer | **271 Thimble |
| *2071EL Bolt | **274A Locknut |
| *2074BEL Bolt | |
| *2075X Handle | |
| *2075B Bushing | |
| *375A Locknut | |

* Included in 2200PK-ELL ** Included in 279PK



* Model numbers are listed on this page. For a list of 8-digit part numbers used for ordering, see pages 43-44

* Important guidelines for this product are found on page 9



2300 Slack Reducing Coupling



OPERATION WITH OR WITHOUT AIR SERVICE CHAMBER

Popular with tanker fleet customers, the 2300 can be used throughout the industry. Like our 2200, the 2300 is also made from Premalloy for long life. As with all 2000 series couplings, the 2300 offers unsurpassed latch strength.

PART #10004704 (shown)/10004709

Coupling Only:

- 2300 & 271 Thimble (shown)
- 2300EL: 2300 with Extended Life latch direct-inject latch lubrication ports

Standard Installation Kit:

- 2300A: 2300 Coupling, 502 Bolt Kit, 281 Air Chamber, 467 Air Chamber Adapter Bracket, 271 Thimble
- 2300ELA: 2300EL Coupling, 502 Bolt Kit, 281 Air Chamber, 467 Air Chamber Adapter Bracket, 271 Thimble

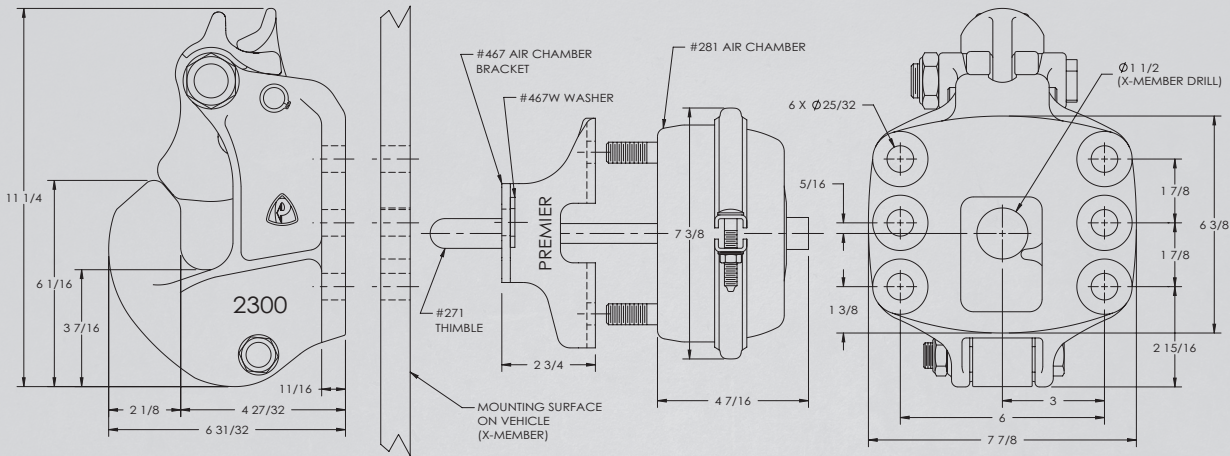
Optional Accessories:

- Air Chamber 282 Type-30 (pg 77): Provides a larger diaphragm for greater shoe force compared to 281 Air Chamber
- Air Chamber Brackets (pg 77): 467H (3/4 in. / 19 mm), 467F (5 1/2 in. / 140 mm)
- Thimbles (pg 77): 271B (4 3/8 in. / 111 mm), 271C (5 1/2 in. / 140 mm)
- Drawbar Guides 378 (pg 76): Helps guide drawbar eye into coupling
- Wear Gage 14014 (pg 76): To determine hook wear limits
- Latch Gage 14026 (pg 76): To determine latch gap limit
- Bolt Kit 502 (pg 78): Bolts (4) 2 1/2 in. (2) 2 3/4 in., Locknuts (6)

SPECIFICATIONS

Maximum Gross Trailer Weight:	100,000 lbs.	(45,359 kg)
Maximum Tongue Weight:	20,000 lbs.	(9,072 kg)
Ultimate Latch Capacity:	60,000 lbs.	(27,216 kg)
Maximum Eye X-Section:	1 13/16 in.	(46 mm)
Minimum Eye Opening:	2 3/8 in.	(60 mm)
Unit Weight:	30.3 lbs.	(13.7 kg)

STANDARD INSTALLATION DRAWING



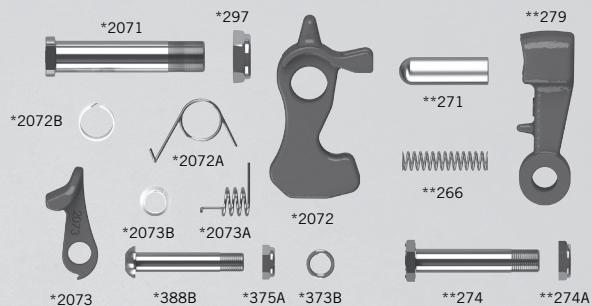
Pushrod length is 3 5/8 in. (92 mm) plus thickness of mounting structure for standard installations as illustrated.

REPLACEMENT PART INFORMATION

- | | |
|-------------------|----------------|
| *2072A: Spring | *388B: Bolt |
| *2072: Latch | *375A: Locknut |
| *2072B: Bushing | *297: Locknut |
| *2073A: Spring | **274 Bolt |
| *2073: Latch Lock | **266 Spring |
| *2073B: Bushing | **279 Shoe |
| *373B: Spacer | **271 Thimble |
| *2071: Bolt | **274A Locknut |

* Included in 2000PK ** Included in 279PK

For 2300EL Replacement Part Information, please reference 2200EL Replacement Part Information section on page 15



* Model numbers are listed on this page. For a list of 8-digit part numbers used for ordering, see pages 43-44

* Important guidelines for this product are found on page 9

1-800-255-5387



PREMIER-MFG.COM

SECTION A-A

5/8

3 1/2

2400 Slack Reducing Coupling



OPERATION WITH
OR WITHOUT AIR
SERVICE CHAMBER

When installation and mounting is limited by bolt hole pattern, the 2400 may be the answer. Although one of the bottom three mounting holes must be used, you choose which one. This allows for maximum compatibility with existing mounting patterns. Popular with Pup and Dumps and Tanker applications.

PART #10004713 (shown)/10004719

Coupling Only:

- 2400 & 271 Thimble (shown)
- 2400EL & 271 Thimble: 2400 with Extended Life latch direct-inject latch lubrication ports

Standard Installation Kit:

- 2400A: 2400 Coupling, 508 Bolt Kit, 281 Air Chamber, 467 Air Chamber Adapter Bracket, 271 Thimble
- 2400ELA: 2400EL Coupling, 508 Bolt Kit, 281 Air Chamber, 467 Air Chamber Adapter Bracket, 271 Thimble

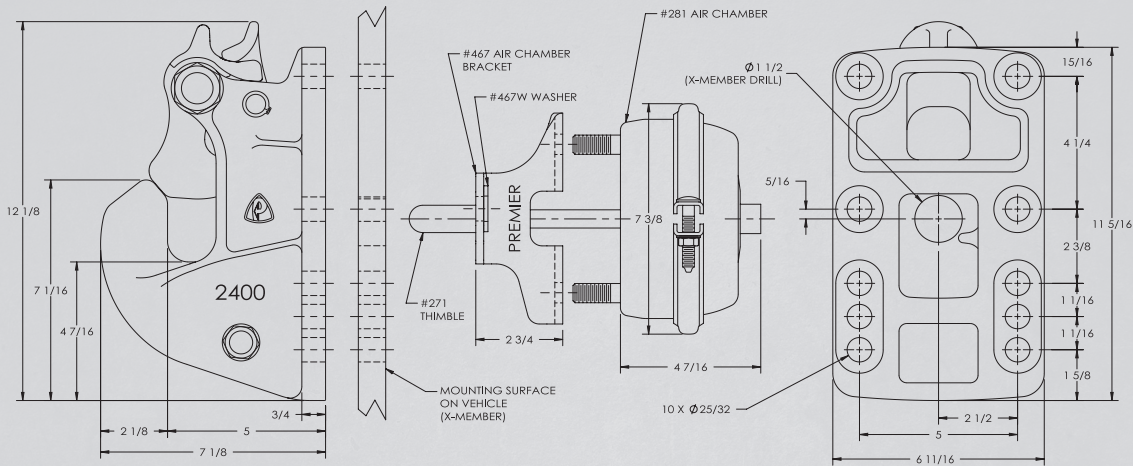
Optional Accessories:

- Air Chamber 282 Type-30 (pg 77): Provides a larger diaphragm for greater shoe force compared to 281 Air Chamber
- Air Chamber Brackets (pg 77): 467H (3/4 in. / 19 mm), 467F (5 1/2 in. / 140 mm)
- Thimbles (pg 77): 271B (4 3/8 in. / 111 mm), 271C (5 1/2 in. / 140 mm)
- Drawbar Guides 438 (pg 76): Helps guide drawbar eye into coupling
- Wear Gage 14014 (pg 76): To determine hook wear limits
- Latch Gage 14026 (pg 76): To determine latch gap limit
- Bolt Kit 508 (pg 78): Bolts (6) 2 1/2 in. (2) 2 3/4 in., Locknuts (8)

SPECIFICATIONS

Maximum Gross Trailer Weight:	100,000 lbs.	(45,359 kg)
Maximum Tongue Weight:	20,000 lbs.	(9,072 kg)
Ultimate Latch Capacity:	60,000 lbs.	(27,216 kg)
Maximum Eye X-Section:	1 13/16 in.	(46 mm)
Minimum Eye Opening:	2 3/8 in.	(60 mm)
Unit Weight:	34.3 lbs.	(15.6 kg)

STANDARD INSTALLATION DRAWING



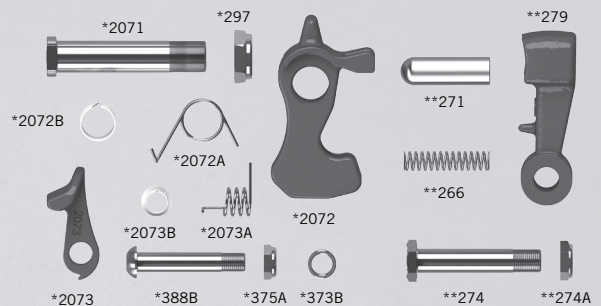
Pushrod length is 3 5/8 in. (92 mm) plus thickness of mounting structure for standard installations as illustrated.

REPLACEMENT PART INFORMATION

- | | |
|-------------------|----------------|
| *2072A: Spring | *388B: Bolt |
| *2072: Latch | *375A: Locknut |
| *2072B: Bushing | *297: Locknut |
| *2073A: Spring | **274 Bolt |
| *2073: Latch Lock | **266 Spring |
| *2073B: Bushing | **279 Shoe |
| *373B: Spacer | **271 Thimble |
| *2071: Bolt | **274A Locknut |

* Included in 2000PK ** Included in 279PK

For 2400EL Replacement Part Information, please reference 2200EL Replacement Part Information section on page 15



* Model numbers are listed on this page. For a list of 8-digit part numbers used for ordering, see pages 43-44

* Important guidelines for this product are found on page 9

1-800-255-5387



PREMIER-MFG.COM

2400H Slack Reducing Coupling

ORDERING INFORMATION

Coupling Only:

- 2400H & 271 Thimble (shown)
- 2400HEL & 271 Thimble: 2400H w/Extended Life latch direct-inject latch lubrication ports

Standard Installation Kit:

- 2400HA: 2400H Coupling, 508 Bolt Kit, 281 Air Chamber, 467 Air Chamber Adapter Bracket, 271 Thimble
- 2400HELA: 2400HEL Coupling, 508 Bolt Kit, 281 Air Chamber, 467 Air Chamber Adapter Bracket, 271 Thimble

Optional Accessories:

- Air Chamber 282 Type-30 (pg 77): Provides a larger diaphragm for greater shoe force compared to 281 Air Chamber
- Air Chamber Brackets (pg 77): 467H (3/4 in. / 19 mm), 467F (5 1/2 in. / 140 mm)
- Thimbles (pg 77): 271B (4 3/8 in. / 111 mm), 271C (5 1/2 in. / 140 mm)
- Drawbar Guides 438 (pg 76): Helps guide drawbar eye into coupling
- Wear Gage 14014 (pg 76): To determine hook wear limits
- Latch Gage 14026 (pg 76): To determine latch gap limit
- Bolt Kit 508 (pg 78): Bolts (6) 2 1/2 in. (2) 2 3/4 in., Locknuts (8)

SPECIFICATIONS

Maximum Gross Trailer Weight:	100,000 lbs.	(45,359 kg)
Maximum Tongue Weight:	20,000 lbs.	(9,072 kg)
Ultimate Latch Capacity:	60,000 lbs.	(27,216 kg)
Maximum Eye X-Section:	1 13/16 in.	(46 mm)
Minimum Eye Opening:	2 3/8 in.	(60 mm)
Unit Weight:	37.3 lbs.	(16.9 kg)

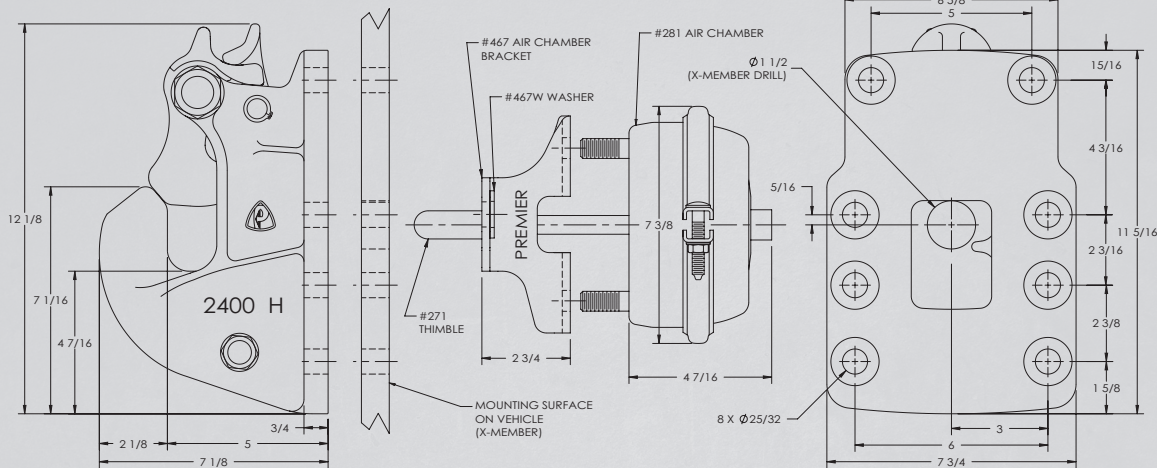


OPERATION WITH OR WITHOUT AIR SERVICE CHAMBER

Similar to our 2400, but with a different mounting pattern.

PART #10004722 (shown)/10004727

STANDARD INSTALLATION DRAWING



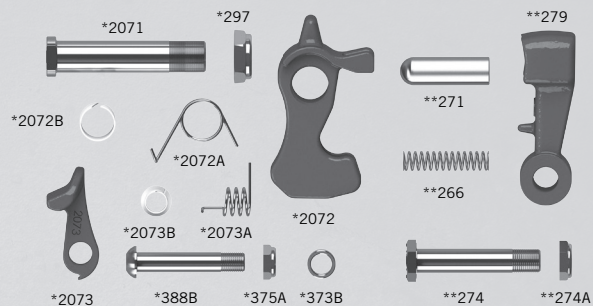
Pushrod length is 3 5/8 in. (92 mm) plus thickness of mounting structure for standard installations as illustrated.

REPLACEMENT PART INFORMATION

- | | |
|-------------------|----------------|
| *2072A: Spring | *388B: Bolt |
| *2072: Latch | *375A: Locknut |
| *2072B: Bushing | *297: Locknut |
| *2073A: Spring | **274 Bolt |
| *2073: Latch Lock | **266 Spring |
| *2073B: Bushing | **279 Shoe |
| *373B: Spacer | **271 Thimble |
| *2071: Bolt | **274A Locknut |

* Included in 2000PK ** Included in 279PK

For 2400HEL Replacement Part Information, please reference 2200EL Replacement Part Information section on page 15



* Model numbers are listed on this page. For a list of 8-digit part numbers used for ordering, see pages 43-44

* Important guidelines for this product are found on page 9



2880 Slack Reducing Coupling



PREMALLOY



EXTENDED LIFE



THE BEAST

OPERATION WITH OR WITHOUT AIR SERVICE CHAMBER

This *monster-of-a-coupling* has a sleek design but was specifically engineered to tame tropical applications with GTW capacities of **up to 85 tons**. Made with our work-hardening Premalloy, for unsurpassed wear resistance. Easy to operate and you can get it with our new EL option.

PART #10004742

ORDERING INFORMATION

Coupling Only:

- 2880 & 271 Thimble
- 2880EL & 271 Thimble: 2880 with Extended Life latch direct-inject latch lubrication ports

Standard Installation Kit:

- 2880A: 2880 Coupling, **511 Bolt Kit**, 282 Air Chamber, 767 Air Chamber Adapter Bracket, 271 Thimble
- 2880ELA: 2880EL Coupling, **511 Bolt Kit**, 282 Air Chamber, 767 Air Chamber Adapter Bracket, 271 Thimble

Optional Accessories:

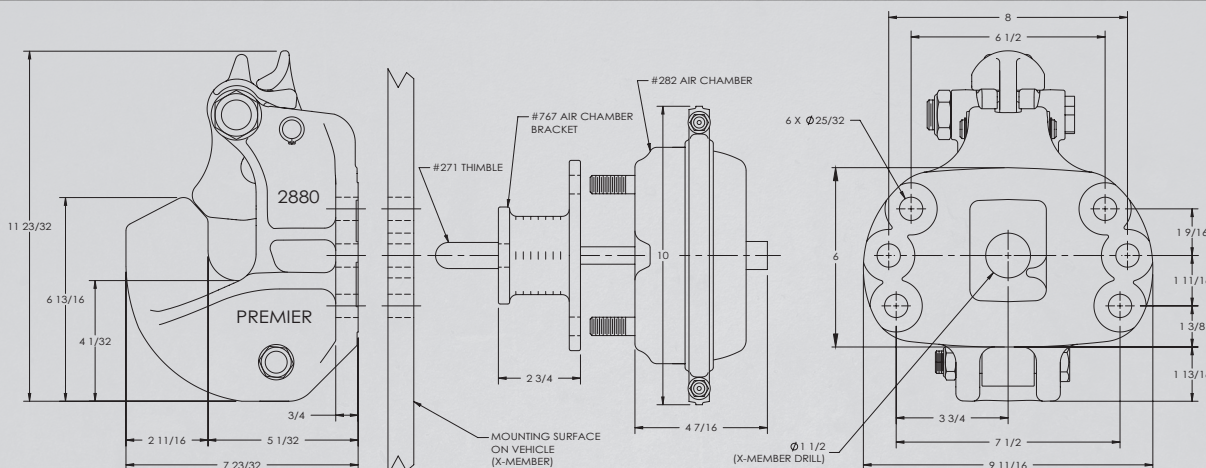
- **Thimbles (pg 77):** 271B [4 3/8 in. / 111 mm], 271C [5 1/2 in. / 140 mm]
- **Wear Gage 14038 (pg 76):** To determine hook wear limits
- **Latch Gage 14026 (pg 76):** To determine latch gap limit
- **Bolt Kit 511 (pg 78):** Bolt Kit 511 uses coarse threaded L9 Grade bolts. Bolts (6) 3 1/2 in., Locknuts (6)*

SPECIFICATIONS

Maximum Gross Trailer Weight:	170,000 lbs.*	(68,038 kg)
Maximum Tongue Weight:	30,000 lbs.	(13,608 kg)
Ultimate Latch Capacity:	60,000 lbs.	(27,216 kg)
Maximum Eye X-Section:	1 13/16 in.	(46 mm)
Minimum Eye Opening:	3 in.	(76 mm)
Unit Weight:	42.1 lbs.	(19.1 kg)

*Must use Bolt Kit 511 for 170,000 lbs. Max Gross Trailer Weight. If using grade 8 hardware the Max Gross Trailer Weight is 150,000 lbs.

STANDARD INSTALLATION DRAWING



Pushrod length should be 3 3/4 in. (95 mm) plus thickness of mounting structure for standard installations as illustrated.

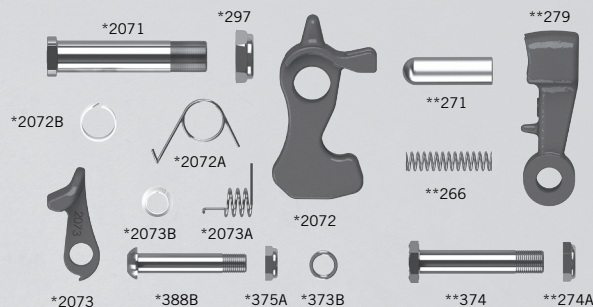
REPLACEMENT PART INFORMATION

- | | |
|------------------|----------------|
| *2072A: Spring | *388B Bolt |
| *2072: Latch | *375A Locknut |
| *2072B Bushing | *297 Locknut |
| *2073A Spring | **374 Bolt |
| *2073 Latch Lock | **266 Spring |
| *2073B Bushing | **279 Shoe |
| *373B Spacer | **271 Thimble |
| *2071 Bolt | **274A Locknut |

* Included in 2000PK

**Not included in 2000PK Parts Kit, available for sale individually.

For 2800EL Replacement Part Information, please reference 2200EL Replacement Part Information section on page 15



* Model numbers are listed on this page. For a list of 8-digit part numbers used for ordering, see pages 43-44

* Important guidelines for this product are found on page 9



270 Slack Reducing Coupling

ORDERING INFORMATION



PREMALLOY



Like our 2200, our 270 also offers the most popular bolt mounting pattern in the industry. Low profile, wear resistant Premalloy and easy quick latching are features that have made the 270 standard with fleets around the world.

This coupling must be used with an air service chamber.

PART #10004733

Coupling Only:

- 270 & 271 Thimble

Standard Installation Kit:

- 270A: 270 Coupling, 501 Bolt Kit, 281 Air Chamber, 267 Air Chamber Adapter Bracket, 271 Thimble

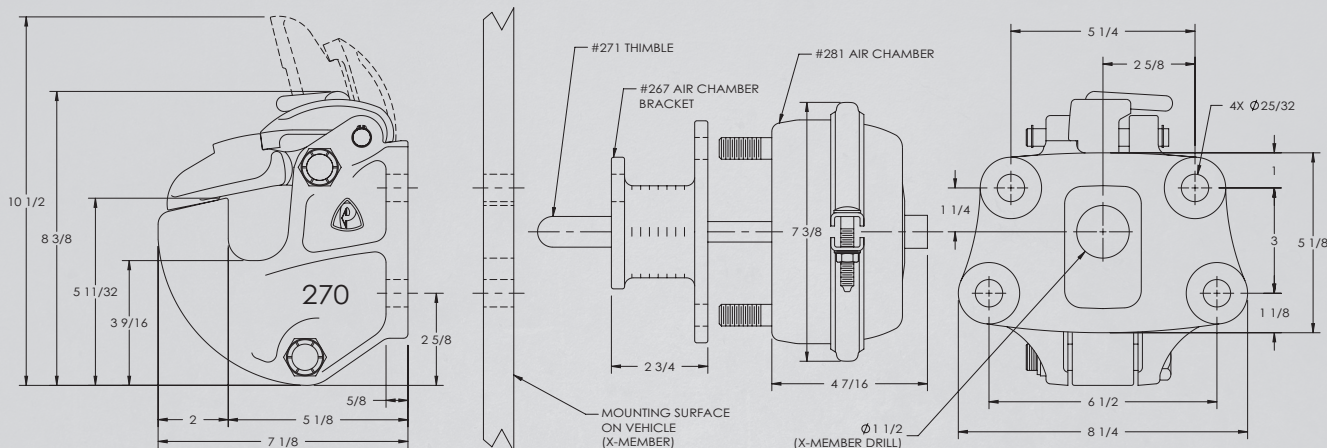
Optional Accessories:

- **Air Chamber 282 Type-30 (pg 77):** Provides a larger diaphragm for greater shoe force compared to 281 Air Chamber
- **Air Chamber Brackets (pg 77):** 267H (3/4 in. / 19 mm), 267F (4 5/8 in. / 117 mm)
- **Thimbles (pg 77):** 271B (4 3/8 in. / 111 mm), 271C (5 1/2 in. / 140 mm)
- **Drawbar Guides 378M (pg 76):** Helps guide drawbar eye into coupling
- **Wear Gage 14011 (pg 76):** To determine hook wear limits
- **Latch Gage 14026 (pg 76):** To determine latch gap limit
- **Bolt Kit 501 (pg 78):** Bolts (2) 2 1/2 in. (2) 2 3/4 in., Locknuts (4)

SPECIFICATIONS

Maximum Gross Trailer Weight:	90,000 lbs.	(40,823 kg)
Maximum Tongue Weight:	18,000 lbs.	(8,165 kg)
Ultimate Latch Capacity:	12,000 lbs.	(5,443 kg)
Maximum Eye X-Section:	1 13/16 in.	(46 mm)
Minimum Eye Opening:	2 3/8 in.	(60 mm)
Unit Weight:	26.3 lbs.	(11.9 kg)

STANDARD INSTALLATION DRAWING

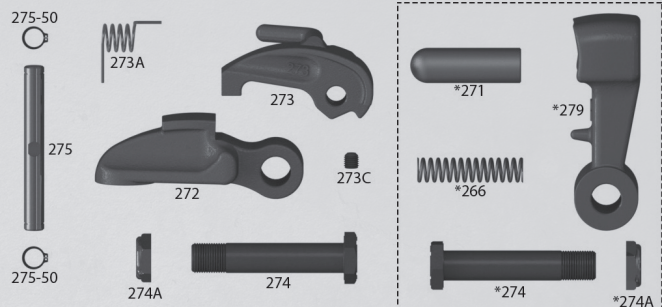


Pushrod length should be 3 5/8 in. (92 mm) plus thickness of mounting structure for standard installations as illustrated.

REPLACEMENT PART INFORMATION

270PK Parts Kit Includes:

- | | |
|----------------------------|----------------|
| 272: Latch | *266: Spring |
| 273: Pawl | *271: Thimble |
| 273A: Spring | *274: Bolt |
| 273C: Set Screw | *274A: Locknut |
| 274: Bolt | *279: Shoe |
| 274A: Locknut | |
| 275: Pin | |
| 275-50: Retaining Ring (2) | |



*Not included in 270PK Parts Kit, available as 279PK Parts Kit.

*Model numbers are listed on this page. For a list of 8-digit part numbers used for ordering, see pages 43-44

*Important guidelines for this product are found on page 9



370 Slack Reducing Coupling

ORDERING INFORMATION



PREMALLOY



Used frequently in dump and pup applications, our popular 370 offers users a low profile, high latch strength and our Premalloy body for maximum wear.

This coupling must be used with an air service chamber.

PART #10004757

Coupling Only:

- 370 & 271 Thimble

Standard Installation Kit:

- 370A: 370 Coupling, 502 Bolt Kit, 281 Air Chamber, 467 Air Chamber Adapter Bracket, 271 Thimble

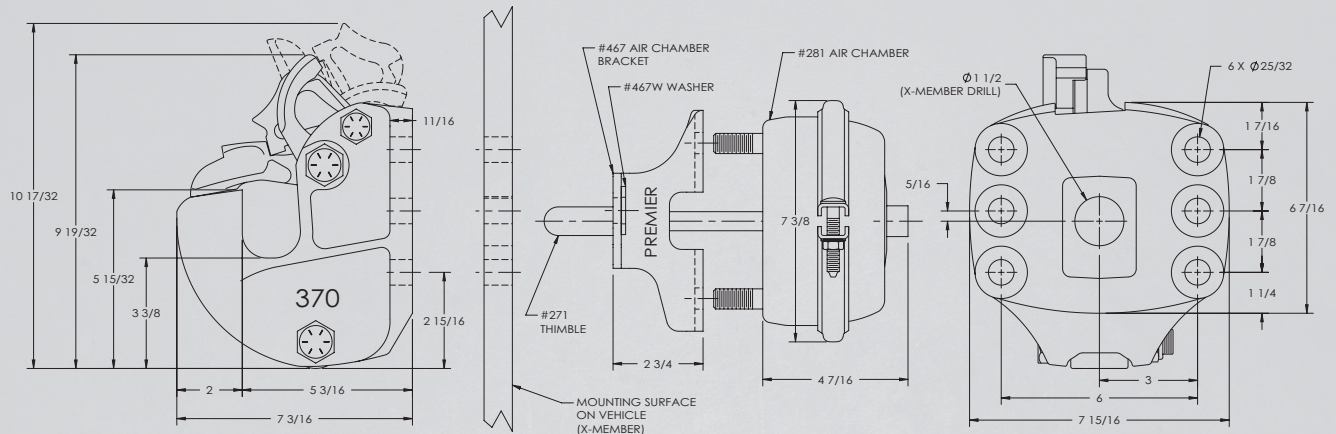
Optional Accessories:

- Air Chamber 282 Type-30 (pg 77): Provides a larger diaphragm for greater shoe force compared to 281 Air Chamber
- Air Chamber Brackets (pg 77): 467H (3/4 in. / 19 mm), 467F (5 1/2 in. / 140 mm)
- Thimbles (pg 77): 271B (4 3/8 in. / 111 mm), 271C (5 1/2 in. / 140 mm)
- Drawbar Guides 378 (pg 76): Helps guide drawbar eye into coupling
- Wear Gage 14011 (pg 76): To determine hook wear limits
- Latch Gage 14026 (pg 76): To determine latch gap limit
- Bolt Kit 502 (pg 78): Bolts (4) 2 1/2 in. (2) 2 3/4 in., Locknuts (6)

SPECIFICATIONS

Maximum Gross Trailer Weight:	90,000 lbs.	(40,823 kg)
Maximum Tongue Weight:	18,000 lbs.	(8,165 kg)
Ultimate Latch Capacity:	20,000 lbs.	(9,072 kg)
Maximum Eye X-Section:	1 13/16 in.	(46 mm)
Minimum Eye Opening:	2 3/8 in.	(60 mm)
Unit Weight:	30 lbs.	(13.6 kg)

STANDARD INSTALLATION DRAWING

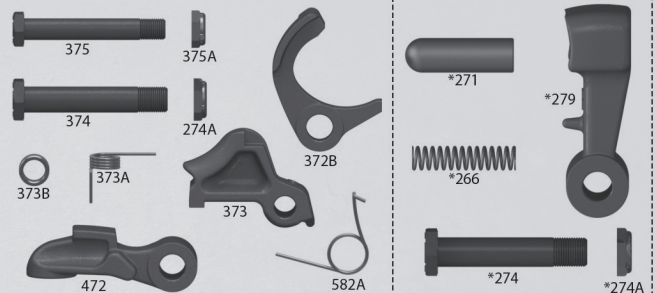


Pushrod length is 4 in. (102 mm) plus thickness of mounting structure for standard installations as illustrated.

REPLACEMENT PART INFORMATION

370PK Parts Kit Includes:

274A: Locknut	582A: Spring
372B: Locking Pawl	*266: Spring
373: Pawl	*271: Thimble
373A: Spring	*274: Bolt
373B: Spacer	*274A: Locknut
374: Bolt	*279: Shoe
375: Bolt	
375A: Locknut	
472: Latch	



*Not included in 370PK Parts Kit, available as 279PK Parts Kit.

*Model numbers are listed on this page. For a list of 8-digit part numbers used for ordering, see pages 43-44

*Important guidelines for this product are found on page 9



370B Slack Reducing Coupling

ORDERING INFORMATION



This coupling is designed for installations where rear clearance is a problem. Similar to our popular 370, the 370B allows for a bottom mount air can (see illustration below).

This coupling must be used with an air service chamber.

PART #10004764

Coupling Only:

- 370B & 271 Thimble

Standard Installation Kit:

- 370BC: 370B Coupling, 503 Bolt Kit, 281C Air Chamber, 271 Thimble

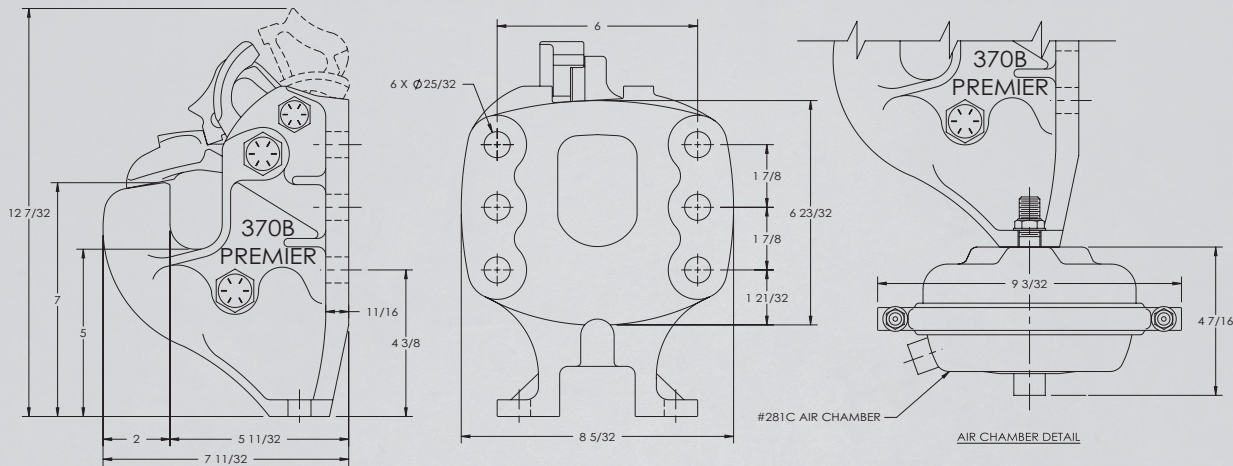
Optional Accessories:

- **Air Chamber 282 Type-30 (pg 77):** Provides a larger diaphragm for greater shoe force compared to 281C Air Chamber
- **Thimbles (pg 77):** 271B (4 3/8 in. / 111 mm)
271C (5 1/2 in. / 140 mm)
- **Drawbar Guides 378 (pg 76):** Helps guide drawbar eye into coupling
- **Wear Gage 14011 (pg 76):** To determine hook wear limits
- **Latch Gage 14026 (pg 76):** To determine latch gap limit
- **Bolt Kit 503 (pg 78):** Bolts (6) 2 1/2 in., Locknuts (6)

SPECIFICATIONS

Maximum Gross Trailer Weight:	90,000 lbs.	(40,823 kg)
Maximum Tongue Weight:	18,000 lbs.	(8,165 kg)
Ultimate Latch Capacity:	20,000 lbs.	(9,072 kg)
Maximum Eye X-Section:	1 13/16 in.	(46 mm)
Minimum Eye Opening:	2 3/8 in.	(60 mm)
Unit Weight:	31 lbs.	(14.0 kg)

STANDARD INSTALLATION DRAWING

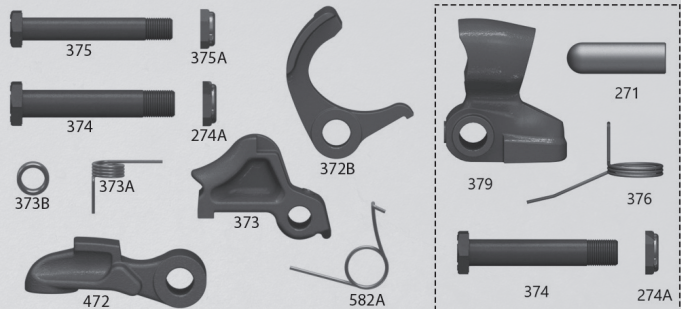


Pushrod length is 2 3/8 in. (60 mm). Not for use with rear mount air can.

REPLACEMENT PART INFORMATION

370PK Parts Kit Includes:

274A: Locknut	582A: Spring
372B: Locking Pawl	*271: Thimble
373: Pawl	*274A: Locknut
373A: Spring	*374: Bolt
373B: Spacer	*376: Spring
374: Bolt	*379: Shoe
375: Bolt	
375A: Locknut	
472: Latch	



*Not included in 370PK Parts Kit, available for sale individually.

*Model numbers are listed on this page. For a list of 8-digit part numbers used for ordering, see pages 43-44

*Important guidelines for this product are found on page 9



570 Slack Reducing Coupling



PREMALLOY



When vertical clearance is at a premium, the 570 may be your solution. Our 570 offers a bottom mount air chamber, low profile and strong latching system. An oil cup is provided to quickly and easily lubricate latch.

This coupling must be used with an air service chamber.

PART #10004789

ORDERING INFORMATION

Coupling Only:

- 570 & 271 Thimble

Standard Installation Kit:

- 570A: 570 Coupling, 504 Bolt Kit, 281C Air Chamber, 271 Thimble

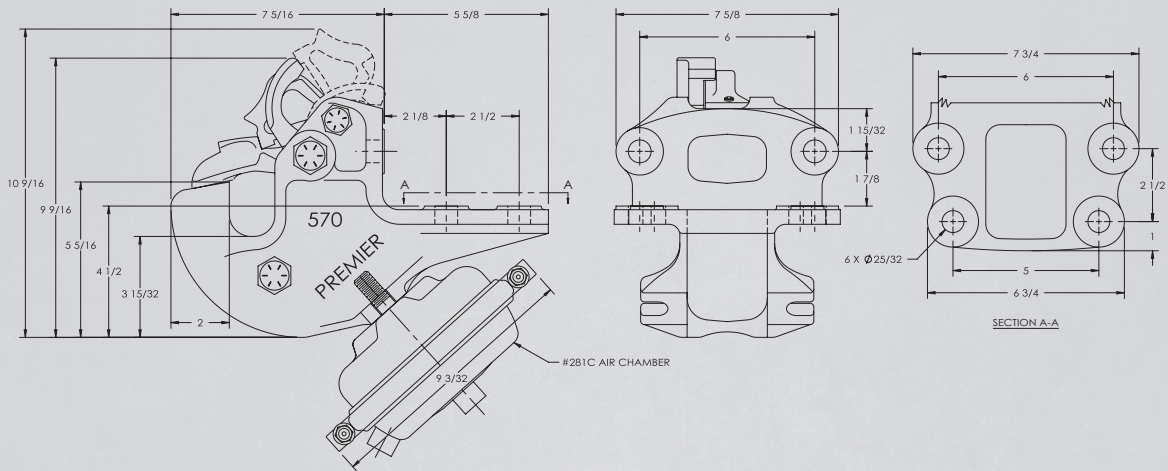
Optional Accessories:

- **Air Chamber 282 Type-30 (pg 77):** Provides a larger diaphragm for greater shoe force compared to 281C Air Chamber
- **Thimbles (pg 77):** 271B (4 3/8 in. / 111 mm), 271C (5 1/2 in. / 140 mm)
- **Drawbar Guides 378 (pg 76):** Helps guide drawbar eye into coupling
- **Wear Gage 14011 (pg 76):** To determine hook wear limits
- **Latch Gage 14026 (pg 76):** To determine latch gap limit
- **Bolt Kit 504 (pg 78):** Bolts (6) 2 in., Locknuts (6)

SPECIFICATIONS

Maximum Gross Trailer Weight:	90,000 lbs.	(40,823 kg)
Maximum Tongue Weight:	18,000 lbs.	(8,165 kg)
Ultimate Latch Capacity:	20,000 lbs.	(9,072 kg)
Maximum Eye X-Section:	1 13/16 in.	(46 mm)
Minimum Eye Opening:	2 3/8 in.	(60 mm)
Unit Weight:	32.8 lbs.	(14.9 kg)

STANDARD INSTALLATION DRAWING



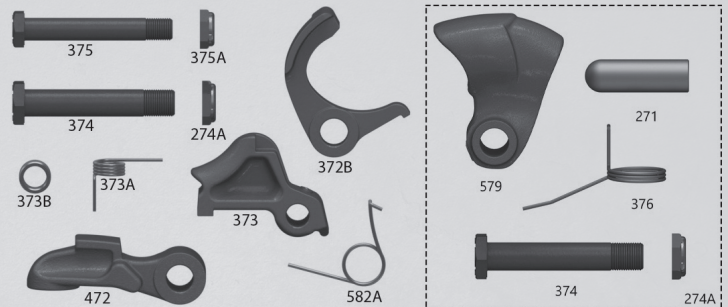
Pushrod length is 2 3/8 in. (60 mm).

REPLACEMENT PART INFORMATION

370PK Parts Kit Includes:

274A: Locknut	*271: Thimble
372B: Locking Pawl	*274A: Locknut
373: Pawl	*374: Bolt
373A: Spring	*376: Spring
373B: Spacer	*579: Shoe
374: Bolt	
375: Bolt	
375A: Locknut	
472: Latch	
582A: Spring	

*Not included in 370PK Parts Kit, available individually or as 579PK Parts Kit



* Model numbers are listed on this page. For a list of 8-digit part numbers used for ordering, see pages 43-44

* Important guidelines for this product are found on page 9



820ELA Slack Reducing Coupling

ORDERING INFORMATION



Featuring our new **SAF-T-LATCH** the 820ELA coupling assembly offers an exceptionally safe, strong, easy to use latch mechanism, Extended Life (EL) lubrication points, and the most popular bolt hole pattern in the industry. The latch mechanism includes a small auxiliary air cylinder that is connected to our 281 or 282 Air Chamber. This assists in ensuring the latching mechanism is closed while the vehicle is in motion.

This coupling must be used with an air service chamber.

PART #10004805

Coupling Only:

- 820EL Coupling is not sold individually, must be ordered as a kit

Standard Installation Kit:

- **820ELA:** 820EL Coupling, 834 Air Line, 835 Reducer Fitting, 836 Fitting, 509 Bolt Kit, 281 Air Chamber, 267 Air Chamber Adapter Bracket, 271 Thimble

- **820ELA-Custom:** 820EL Coupling, 834 Air Line, 835 Reducer Fitting, 836 Fitting, 509 Bolt Kit, 281-Custom (specify length at time of order), 267 Air Chamber Adapter Bracket, 271 Thimble

- **820ELR:** 820EL Coupling, 834 Air Line, 835 Reducer Fitting, 836 Fitting, 509 Bolt Kit, 281L Air Chamber, 271 Thimble

Optional Accessories:

- **Air Chamber 282 Type-30** (pg 77): Provides a larger diaphragm for greater shoe force compared to 281 Air Chamber.

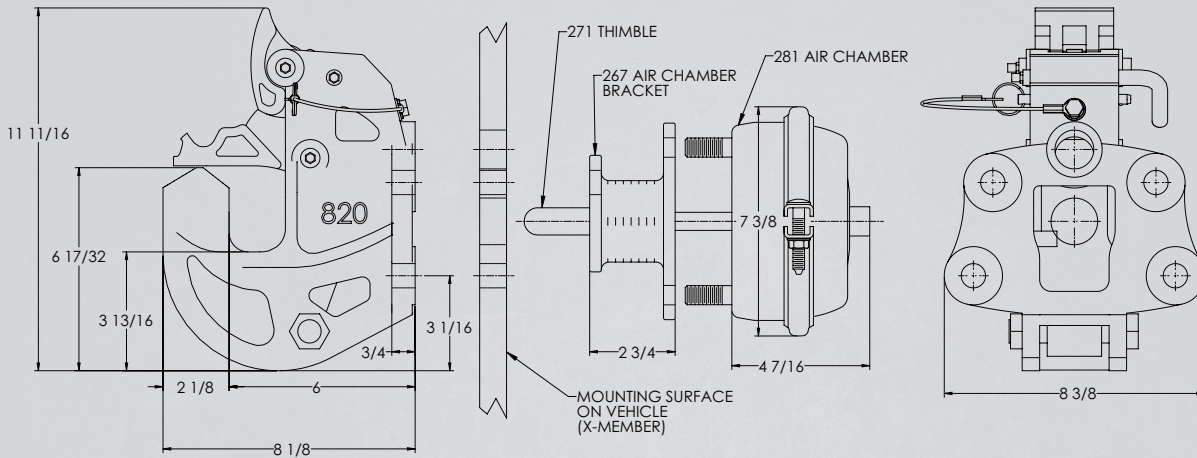
- **Wear Gage 14014** (2 1/8 in.) (pg 76): To determine hook wear limits.

- **Latch Gage 14026** (pg 76): To determine latch gap limit.

SPECIFICATIONS

Maximum Gross Trailer Weight:	100,000 lbs.	(45,359 kg)
Maximum Tongue Weight:	20,000 lbs.	(9,072 kg)
Ultimate Latch Capacity:	60,000 lbs.	(27,216 kg)
Maximum Eye X-Section:	1 13/16 in.	(46 mm)
Minimum Eye Opening:	2 3/8 in.	(60 mm)
Unit Weight:	48.8 lbs.	(22.1 kg)

STANDARD INSTALLATION DRAWING

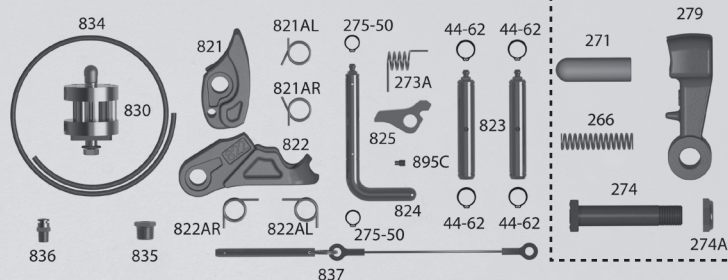


Pushrod Length: 4 5/16 in. (110 mm) plus thickness of mounting structure (x-member) for standard installations.

REPLACEMENT PART INFORMATION

820PK-EL Parts Kit Includes:

- | | |
|----------------------------|-------------------------------|
| 273A: Spring | *266: Spring |
| 275-50: Retaining Ring (2) | *271: Thimble |
| 44-62: Retaining Ring (4) | *274: Bolt |
| 821: Pawl | *274A: Locknut |
| 821AL/AR: Spring | *279: Shoe |
| 823: Pin | **834: Air Line |
| 824: Handle | **835: Reducer Fitting |
| 825: Locking Pawl | **836: Fitting |
| 837 Safety Pin & Cable | ***830 Auxiliary Air Cylinder |
| 895C: Set Screw | |



*Not included in 820PK-EL Parts Kit, available as 279PK Parts Kit **Available as separate kit (834K) ***Not included in 820PK-EL Parts Kit, available individually

*Model numbers are listed on this page. For a list of 8-digit part numbers used for ordering, see pages 43-44

*Important guidelines for this product are found on page 9





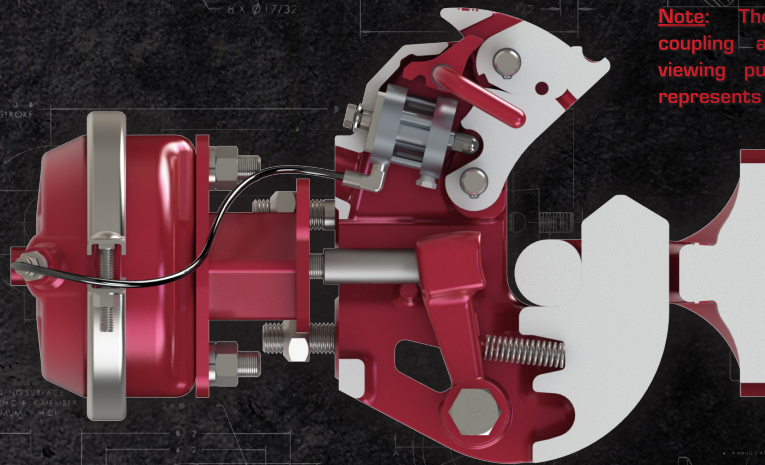
PREMIER

MANUFACTURING

820ELA SLACK REDUCING COUPLING

The 820ELA is designed to close the latch when the 281 air chamber is pressurized. The small air cylinder inside the coupling body is connected to the 281 air chamber. When the 281 is pressurized, which happens when the emergency brake is released, the cylinder rod on the 830 air cylinder extends and contacts the pocket in the 822 lower latch until the 822 clears the 821.

Note: The drawbar eye and coupling are sliced in half for viewing purposes. The light gray represents the cut portions.



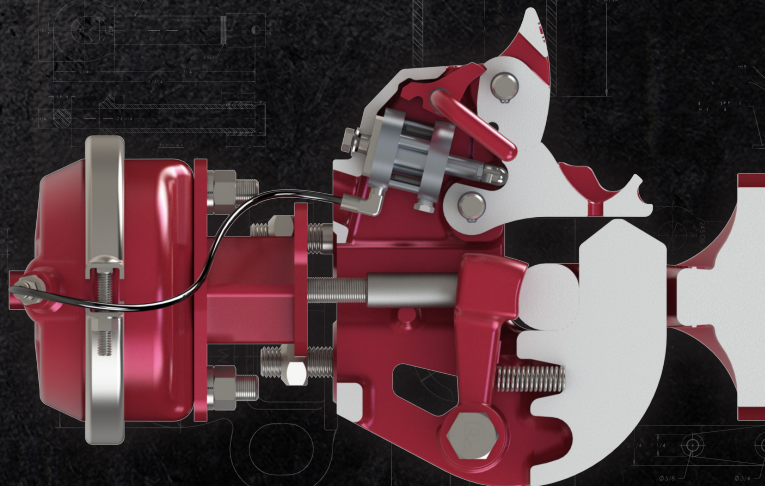
672 HANDLE GRIP

677 HANDLE

678RP ROLL

678RP ROLL PIN

Torsion springs connected to the 821 and 825 rotate the parts to the closed position once the 822 is rotated to the closed position. This is intended to be an additional safety feature to help ensure the latch is closed. Closing and making sure the latch is closed correctly is always the responsibility of the person making the coupling connection and the drivers responsibility to verify that the equipment is correctly connected prior to moving the vehicle.



1-800-255-5387



PREMIER-MFG.COM



PREMIER

MANUFACTURING

NON-AIR COUPLINGS

IMPORTANT GUIDELINES THAT APPLY TO ALL PREMIER COUPLINGS

- Do not weld on any coupling assembly
- Always use Grade-8 fasteners properly torqued
- Do not apply lubricants to the coupling hook
- Clean & inspect coupling for damage & excessive wear prior to each and every use
- Lubricate all coupling components at a minimum of 90 day intervals
- Do not bind-up (Jackknife) any application as stresses can cause damage to products or components, resulting in failure and detachment of the trailer while in use

16 & 24 Couplings

16 Pin & Clevis Coupling



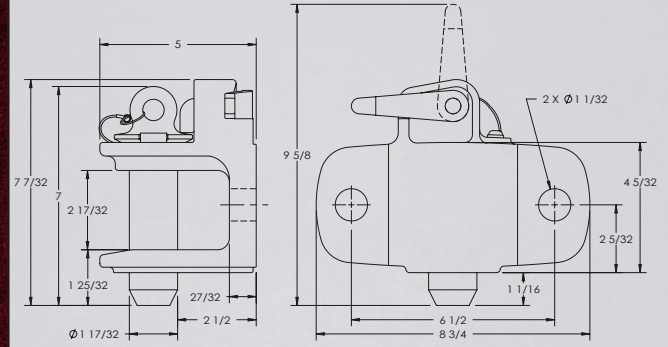
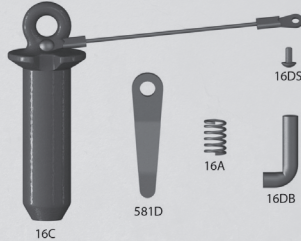
Premier's Pin and Clevis model 16 coupling is simple in design yet offers high pull capacity for its size. Often used for dolly haul back, industrial and agricultural operations. This unit can even be mounted on the front bumper of tractors for emergency towing or recovery operations.

PART #10001087

REPLACEMENT PART INFORMATION

Model 16 Parts Available:

- 16A: Spring
- 16C: Pin & Cable
- 16DB: Lock Pin
- 16DS: Drive Screw
- 581D: Handle Tip



ORDERING INFORMATION

Coupling:
- 16

Optional Accessories:
- None

SPECIFICATIONS

Maximum Gross Trailer Weight:	60,000 lbs.	(27,216 kg)
Maximum Tongue Weight:	not rated	
Ultimate Latch Capacity:	not rated	
Maximum Eye X-Section:	1 13/16 in.	(46 mm)
Minimum Eye Opening:	2 in.	(51 mm)
Unit Weight:	17 lbs.	(7.7 kg)

24 Drop-Down Coupling



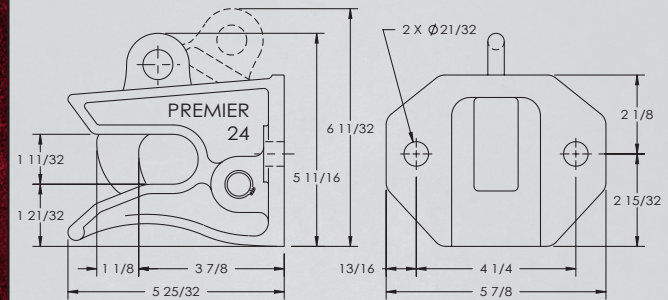
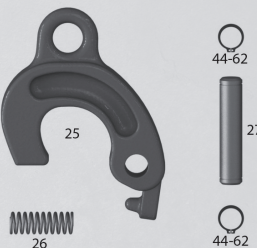
The 24 coupling provides light duty pulling capacity with very simple operation. The eyelet attached to the top of the hook makes uncoupling quick and easy and can even be used for remote operation (i.e. rope or cable release). Not recommended for over-the-road use, the 24 is ideal for many farm, factory and light industrial applications.

PART #10001122

REPLACEMENT PART INFORMATION

Model 24 Parts Available:

- 25: Hook
- 26: Spring
- 27: Pin
- 44-62: Retaining Ring (2)



ORDERING INFORMATION

Coupling:
- 24

Optional Accessories:
- None

SPECIFICATIONS

Maximum Gross Trailer Weight:	12,000 lbs.	(5,443 kg)
Maximum Tongue Weight:	not rated	
Ultimate Latch Capacity:	not rated	
Maximum Eye X-Section:	1 in.	(25 mm)
Minimum Eye Opening:	2 in.	(51 mm)
Unit Weight:	9.2 lbs.	(4.2 kg)

* Model numbers are listed on this page. For a list of 8-digit part numbers used for ordering, see pages 43-44

* Important guidelines for this product are found on page 9



130 & 140 Couplings

130 Coupling



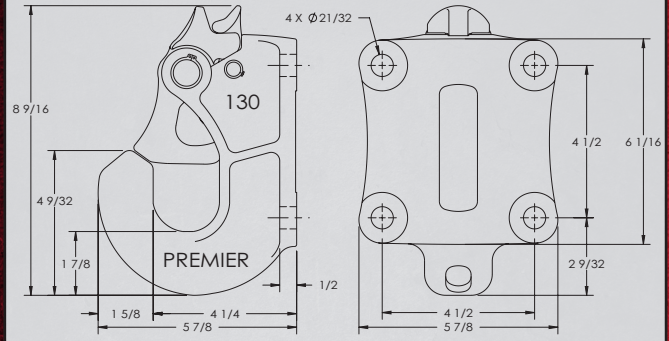
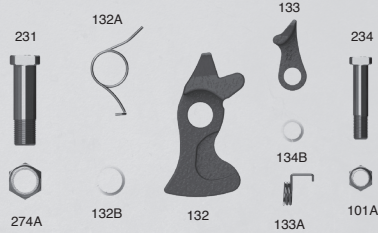
Popular for dolly haul back, the model 130 is ideal for light to medium duty applications. Like many of Premier's couplings, the model 130 features a strong strike-resistant latching system that is easy to operate and maintain.

PART #10001039

REPLACEMENT PART INFORMATION

130PK Parts Kit Includes:

- 101A: Locknut
- 132: Latch
- 132A: Spring
- 132B: Bushing
- 133: Latch Lock
- 133A: Spring
- 134B: Bushing
- 274A: Locknut
- 234: Bolt
- 231: Bolt



ORDERING INFORMATION

Coupling:
- 130

Optional Accessories:

- Latch Gage 14005 (pg 76)
- Latch Gage 14026 (pg 76)

SPECIFICATIONS

Maximum Gross Trailer Weight:	30,000 lbs.	(13,608 kg)
Maximum Tongue Weight:	6,000 lbs.	(2,722 kg)
Ultimate Latch Capacity:	20,000 lbs.	(9,072 kg)
Maximum Eye X-Section:	1 11/16 in.	(43 mm)
Minimum Eye Opening:	2 in.	(51 mm)
Unit Weight:	14.5 lbs.	(6.6 kg)

140 Coupling



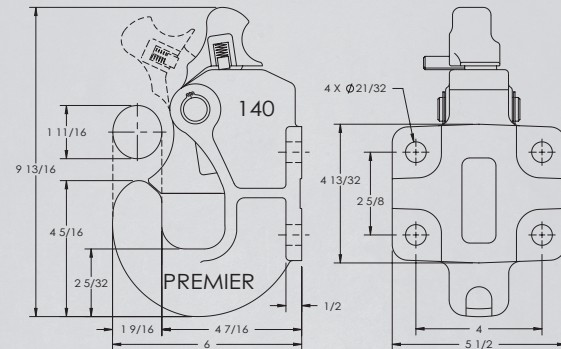
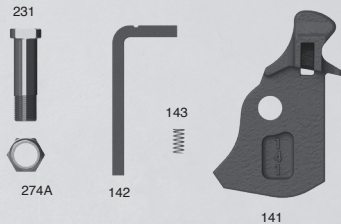
Premier's 140 has been in use by light and medium duty users for many years. Easy to operate, strike-resistant latching and popular mounting pattern make the model 140 ideal for many industries and applications.

PART #10001061

REPLACEMENT PART INFORMATION

Model 140 Parts Available:

- 141: Latch
- 142: Latch Key
- 143: Spring
- 231: Bolt
- 274A: Locknut



ORDERING INFORMATION

Coupling:
- 140

Optional Accessories:

- Wear Gage 14032 (pg 76)
- Wear Gage 14035 (pg 76)
- Latch Gage 14026 (pg 76)

SPECIFICATIONS

Maximum Gross Trailer Weight:	30,000 lbs.	(13,608 kg)
Maximum Tongue Weight:	4,500 lbs.	(2,041 kg)
Ultimate Latch Capacity:	2,250 lbs.	(1,021 kg)
Maximum Eye X-Section:	1 1/2 in.	(38 mm)
Minimum Eye Opening:	2 in.	(51 mm)
Unit Weight:	14.7 lbs.	(6.7 kg)

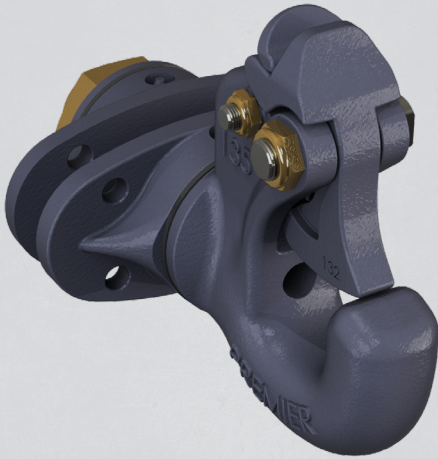
*Model numbers are listed on this page. For a list of 8-digit part numbers used for ordering, see pages 43-44

*Important guidelines for this product are found on page 9



135NT Swivel Coupling

ORDERING INFORMATION



Coupling:
- 135NT

Optional Accessories:

- Wear Gage 14008 (pg 76): To determine hook wear limits
- Latch Gage 14026 (pg 76): To determine latch gap limit

Utility companies, construction, agricultural and military operations will all benefit from Premier's 135NT and 235NT Swivel couplings. Swivel action eliminates torque between mated vehicles when traveling over rough, uneven terrain.

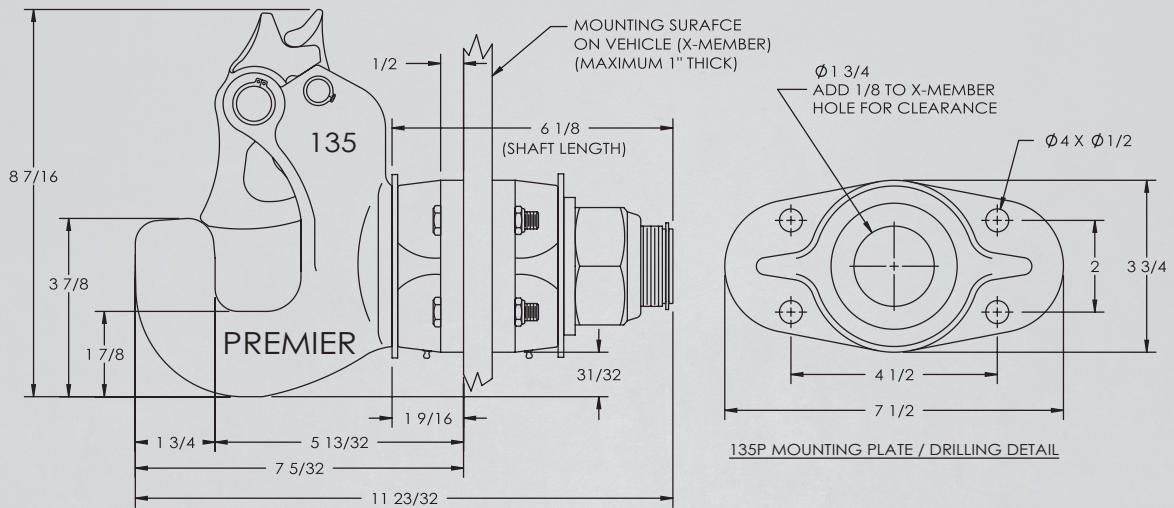
NOT to be used with swivel-type drawbar eye.

PART #10001050

SPECIFICATIONS

Maximum Gross Trailer Weight:	30,000 lbs.	(13,608 kg)
Maximum Tongue Weight:	6,000 lbs.	(2,722 kg)
Ultimate Latch Capacity:	20,000 lbs.	(9,072 kg)
Maximum Eye X-Section:	1 11/16 in.	(43 mm)
Minimum Eye Opening:	2 1/16 in.	(52 mm)
Unit Weight:	25.8 lbs.	(11.7 kg)

STANDARD INSTALLATION DRAWING

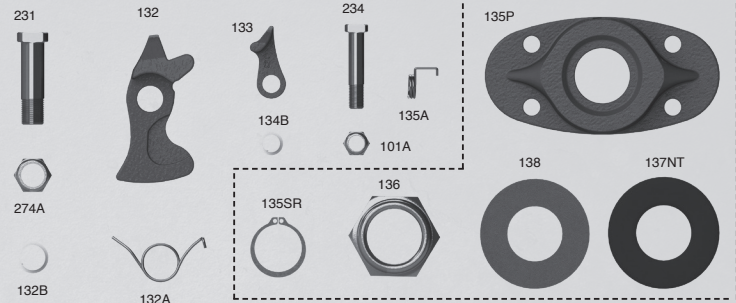


REPLACEMENT PART INFORMATION

135PK Parts Kit Includes:

- | | |
|-----------------|-------------------------------|
| 101A: Locknut | * 135SR: Retaining Ring |
| 132: Latch | * 136: Locknut |
| 132A: Spring | * 137NT: Nylatron Bushing (2) |
| 132B: Bushing | * 138: Washer |
| 133: Latch Lock | * 135P: Mounting Plate (2) |
| 134B: Bushing | |
| 274A: Locknut | |
| 135A: Spring | |
| 231: Bolt | |
| 234: Bolt | |

**Not included in parts kit, available individually.*



* Model numbers are listed on this page. For a list of 8-digit part numbers used for ordering, see pages 43-44

* Important guidelines for this product are found on page 9



150 Combination Coupling

ORDERING INFORMATION

Coupling and Ball Combinations:

- **150:** 150 coupling & 155 ball capacity MGTW: 10,000 lbs. (4,535 kg)
- **150-1:** 150 coupling & 156 ball capacity MGTW: 10,000 lbs. (4,535 kg)

Optional Accessories:

- **Bolt Kit 159 (pg 78):** Four - 1/2 in. (13 mm) O.D. x 2 in. (51 mm) long bolts, lock washers and nuts
- **Adjustable mounts for receiver-type connections (pg 79):**
 - 165 Receiver (pg 79):** 10,000 lbs. (4,535 kg) Max. gross trailer weight
 - 166 Receiver (pg 79):** 12,000 lbs. (5,443 kg) Max. gross trailer weight
- **Replacement Balls:**
 - 155 Ball (pg 80):** 2 in. (51 mm) Diameter
 - 156 Ball (pg 80):** 2 5/16 in. (59 mm) Diameter
- **Latch Gage 14026 (pg 76):** To determine latch gap limit



165 /166 Receiver - Pg 79

One of Premier's most unique and versatile couplings is our popular model 150 Combination Coupling. Whether you need to pull a trailer with an eye or ball connection, the 150 can do the job. Our patented side-swing latch helps prevent tailgate damage and keeps the profile compact.

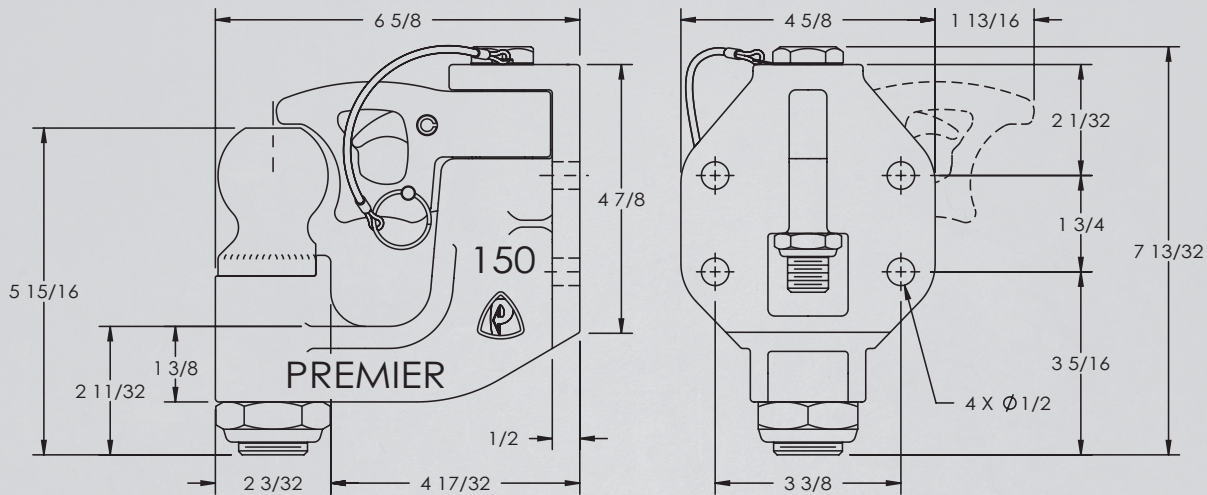
150 (PART #10004672 - includes a 2" ball)

150-1 (PART #10004673 - includes a 2-5/16" ball)

SPECIFICATIONS

Maximum Gross Trailer Weight with Eye:	20,000 lbs.	(9,072 kg)
Maximum Tongue Weight:	2,500 lbs.	(1,134 kg)
Ultimate Latch Capacity:	5,000 lbs.	(2,268 kg)
Maximum Eye X-Section:	1 13/16 in.	(46 mm)
Minimum Eye Opening:	2 3/8 in.	(60 mm)
Unit Weight:	14.7 lbs.	(6.7 kg)

STANDARD INSTALLATION DRAWING

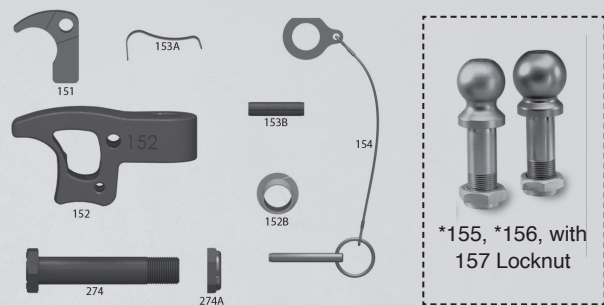


REPLACEMENT PART INFORMATION

150PK Parts Kit Includes:

- | | |
|----------------|--------------------------|
| 151: Trigger | *155: Ball w/157 Locknut |
| 152: Latch | 2 in. (51 mm) |
| 152B: Bushing | |
| 153A: Spring | *156: Ball w/157 Locknut |
| 153B: Roll Pin | 2 5/16 in. (59 mm) |
| 154: Latch Pin | |
| 274: Bolt | |
| 274A: Locknut | |

*Not included in parts kit, available individually.



*155, *156, with 157 Locknut

*Model numbers are listed on this page. For a list of 8-digit part numbers used for ordering, see pages 43-44

*Important guidelines for this product are found on page 9



160 Coupling

ORDERING INFORMATION



The same unique latching as our model 150, the model 160 offers a compact profile for tight places. Ideal for dolly haul back and other light to medium duty applications.

PART #10001089

Coupling:

- 160

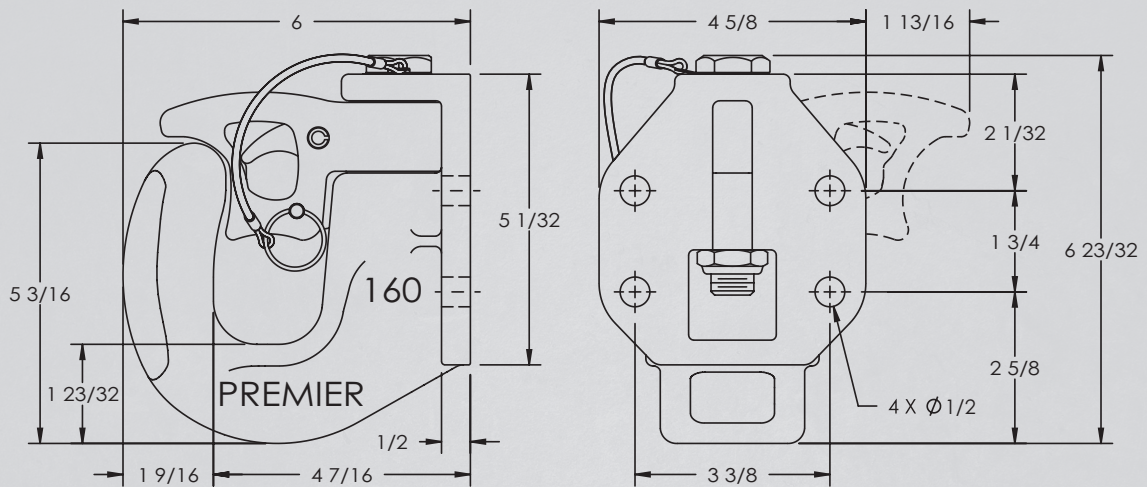
Optional Accessories:

- Bolt Kit 159 (pg 78): Four - 1/2 in. (13 mm) O.D. x 2 in. (51 mm) long bolts, lock washers and nuts
- Adjustable mounts for receiver-type connections (pg 79):
 - 165 Receiver (pg 79): 10,000 lbs. (4,535 kg) Max. gross trailer weight
 - 166 Receiver (pg 79): 12,000 lbs. (5,443 kg) Max. gross trailer weight
- Wear Gage 14035 (pg 76): To determine hook wear limits
- Latch Gage 14026 (pg 76): To determine latch gap limit

SPECIFICATIONS

Maximum Gross Trailer Weight:	30,000 lbs.	(13,608 kg)
Maximum Tongue Weight:	4,500 lbs.	(2,041 kg)
Ultimate Latch Capacity:	5,000 lbs.	(2,268 kg)
Maximum Eye X-Section:	1 13/16 in.	(46 mm)
Minimum Eye Opening:	2 in.	(51 mm)
Unit Weight:	14.4 lbs.	(6.5 kg)

STANDARD INSTALLATION DRAWING



REPLACEMENT PART INFORMATION

150PK Parts Kit Includes:

- 151: Trigger
- 152: Latch
- 152B: Bushing
- 153A: Spring
- 153B: Roll Pin
- 154: Latch Pin
- 274: Bolt
- 274A: Locknut



* Model numbers are listed on this page. For a list of 8-digit part numbers used for ordering, see pages 43-44

* Important guidelines for this product are found on page 9

160HD Coupling

ORDERING INFORMATION

Coupling:

- 160HD

Optional Accessories:

- Bolt Kit 159HD: For 160HD w/ Tailboard up to 3/4-inch
- Bolt Kit 159HD-L: For 160HD w/ Tailboard 3/4 to 1-inch
- Wear Gage 14035 (pg 76): To determine hook wear limits
- Latch Gage 14026 (pg 76): To determine latch gap limit



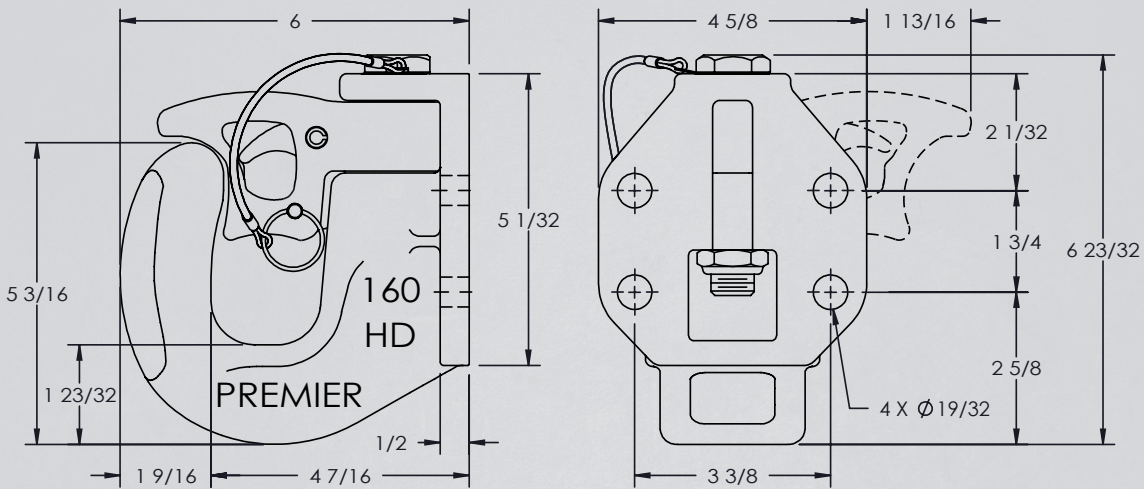
The model 160HD offers the same compact profile as the 160 with an additional 10,000 lbs. of gross trailer weight capacity and 2,000 lbs. of tongue weight capacity.

PART #10001093

SPECIFICATIONS

Maximum Gross Trailer Weight:	40,000 lbs.	(18,144 kg)
Maximum Tongue Weight:	6,500 lbs.	(2,948 kg)
Ultimate Latch Capacity:	5,000 lbs.	(2,268 kg)
Maximum Eye X-Section:	1 13/16 in.	(46 mm)
Minimum Eye Opening:	2 in.	(51 mm)
Unit Weight:	14.4 lbs.	(6.5 kg)

STANDARD INSTALLATION DRAWING



REPLACEMENT PART INFORMATION

150PK Parts Kit Includes:

- 151: Trigger
- 152: Latch
- 152B: Bushing
- 153A: Spring
- 153B: Roll Pin
- 154: Latch Pin
- 274: Bolt
- 274A: Locknut



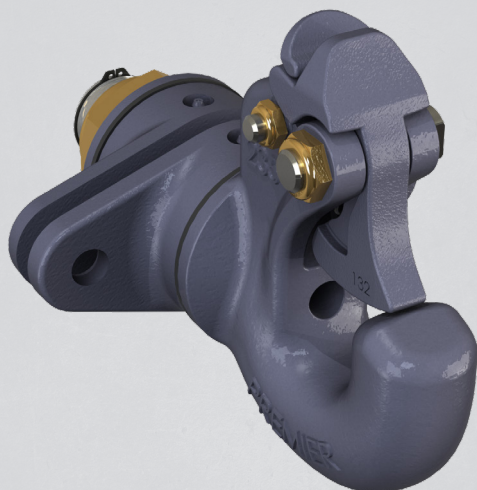
*Model numbers are listed on this page. For a list of 8-digit part numbers used for ordering, see pages 43-44

*Important guidelines for this product are found on page 9



235NT Swivel Coupling

ORDERING INFORMATION



Premier's 235NT Swivel is a bit heavier duty than our 135NT Swivel for those extra tough jobs. When rough uneven ground is a problem, the 235NT Swivel may be the answer.

NOT to be used with swivel-type drawbar eye.

PART #10001113

Coupling:

- 235NT

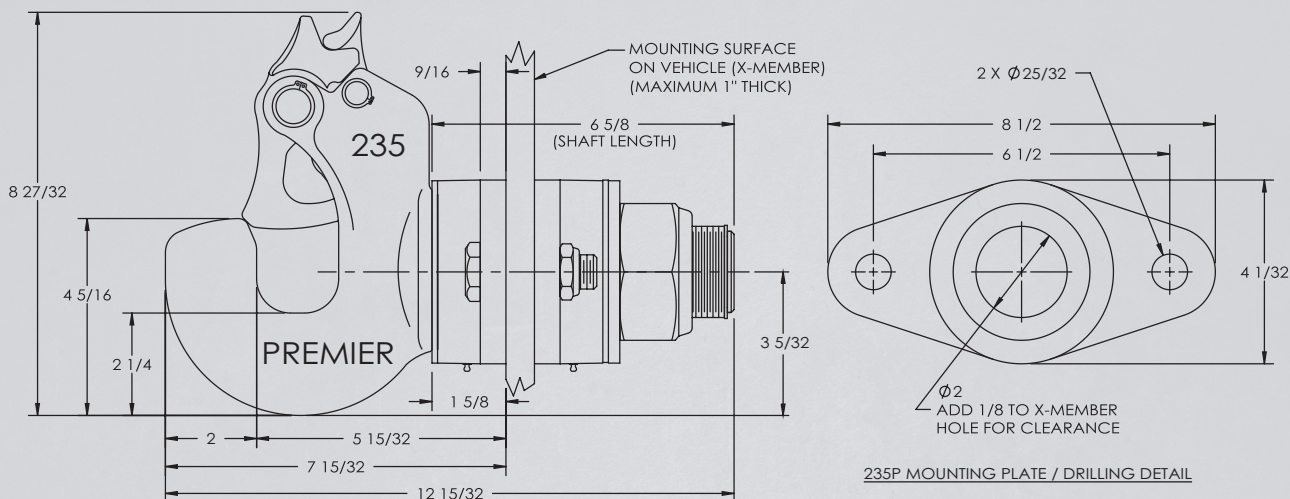
Optional Accessories:

- Wear Gage 14011 (pg 76): To determine hook wear limits
- Latch Gage 14026 (pg 76): To determine latch gap limit

SPECIFICATIONS

Maximum Gross Trailer Weight:	60,000 lbs.	(27,216 kg)
Maximum Tongue Weight:	12,000 lbs.	(5,443 kg)
Ultimate Latch Capacity:	20,000 lbs.	(9,072 kg)
Maximum Eye X-Section:	1 11/16 in.	(43 mm)
Minimum Eye Opening:	2 1/8 in.	(54 mm)
Unit Weight:	32 lbs.	(14.5 kg)

STANDARD INSTALLATION DRAWING



REPLACEMENT PART INFORMATION

135PK Parts Kit Includes:

- | | |
|-----------------|------------------------------|
| 101A: Locknut | 208: *Retaining Ring |
| 132: Latch | 416: *Locknut |
| 132A: Spring | 237NT: *Nylatron Bushing (2) |
| 132B: Bushing | 238: *Washer |
| 133: Latch Lock | 235P: *Mounting Plate (2) |
| 134B: Bushing | |
| 274A: Locknut | |
| 135A: Spring | |
| 231: Bolt | |
| 234: Bolt | |

**Not included in parts kit, available individually.*

231



274A



132B



132



132A



133



134B



234



135A



101A



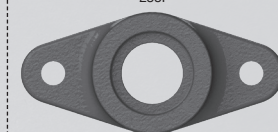
*208



*416



*235P



*238



*237NT



* Model numbers are listed on this page. For a list of 8-digit part numbers used for ordering, see pages 43-44

* Important guidelines for this product are found on page 9



235SM Coupling

ORDERING INFORMATION

Coupling:
- 235SM

Optional Accessories:

- Wear Gage 14011 (pg 76): To determine hook wear limits
- Latch Gage 14026 (pg 76): To determine latch gage limit

SPECIFICATIONS

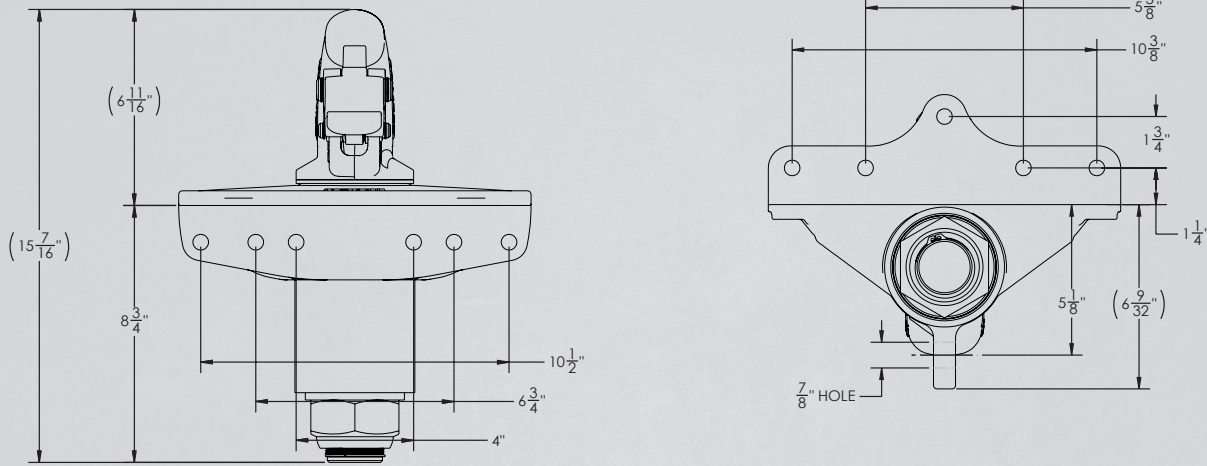
Maximum Gross Trailer Weight:	60,000 lbs.	(27,216 kg)
Maximum Tongue Weight:	12,000 lbs.	(5,443 kg)
Ultimate Latch Capacity:	20,000 lbs.	(9,072 kg)
Maximum Eye X-Section:	1 11/16 in.	(43 mm)
Minimum Eye Opening:	2 1/8 in.	(54 mm)
Unit Weight:	48.1 lbs.	(21.8 kg)

THE CROWN

This crown-shaped shelf mount coupling is *the king of the medium duty swivel-style couplings*. The **NEW 235SM** swivel coupling is equipped with a urethane bushing to help absorb impact and dampen vibrations providing a smoother ride.

PART #10005658

STANDARD INSTALLATION DRAWING

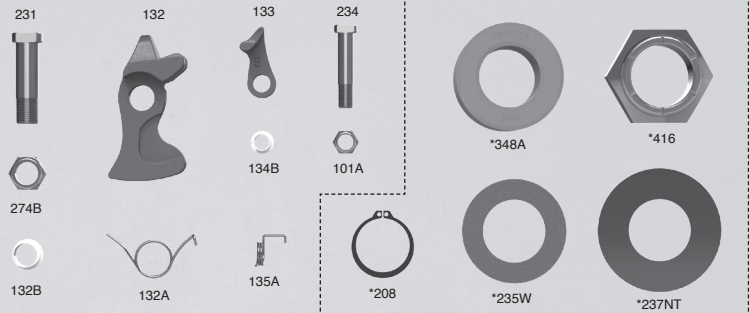


REPLACEMENT PART INFORMATION

135PK Parts Kit Includes:

- | | |
|-----------------|------------------------------|
| 101A: Locknut | 208: *Retaining Ring |
| 132: Latch | 416: *Locknut |
| 132A: Spring | 237NT: *Nylatron Bushing (2) |
| 132B: Bushing | 235W: *Washer |
| 133: Latch Lock | 348A: *Polymer Bushing (2) |
| 134B: Bushing | |
| 274A: Locknut | |
| 135A: Spring | |
| 231: Bolt | |
| 234: Bolt | |

**Not included in parts kit, available individually.*



*Model numbers are listed on this page. For a list of 8-digit part numbers used for ordering, see pages 43-44
*Important guidelines for this product are found on page 9



240 Coupling



PREMALLOY



Designed as a direct retrofit to the mounting pattern of Premier's 135NT Swivel Coupling. The 240 has extra toughness and wear resistance that Premalloy users have come to expect.

PART #10001124

ORDERING INFORMATION

Coupling:

- 240

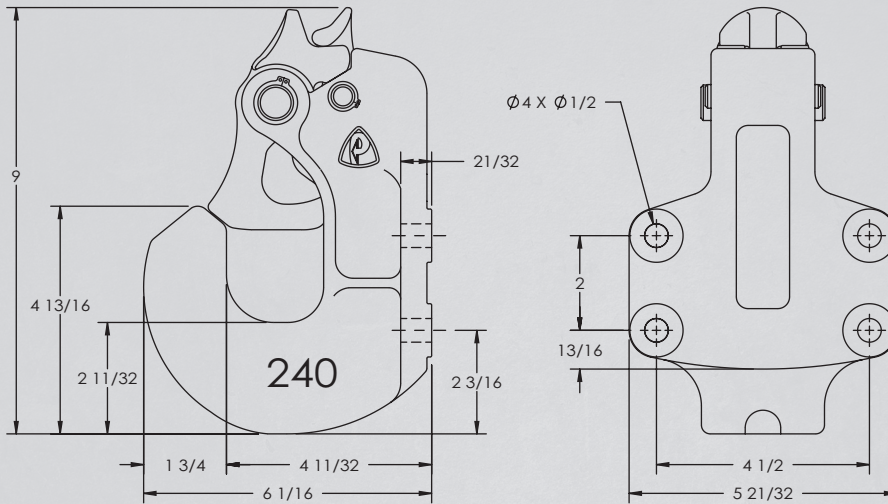
Optional Accessories:

- Bolt Kit 159 (pg 78): Four - 1/2 in. (13 mm) O.D. x 2 in. (51 mm) long bolts, lock washers and nuts
- Wear Gage 14008 (pg 76): To determine hook wear limits
- Latch Gage 14026 (pg 76): To determine latch gap limit

SPECIFICATIONS

Maximum Gross Trailer Weight:	45,000 lbs.	(20,412 kg)
Maximum Tongue Weight:	6,000 lbs.	(2,722 kg)
Ultimate Latch Capacity:	20,000 lbs.	(9,072 kg)
Maximum Eye X-Section:	1 11/16 in.	(43 mm)
Minimum Eye Opening:	2 1/16 in.	(52 mm)
Unit Weight:	16.1 lbs.	(7.3 kg)

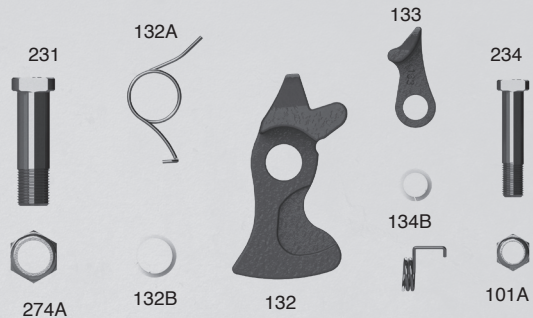
STANDARD INSTALLATION DRAWING



REPLACEMENT PART INFORMATION

130PK Parts Kit Includes:

- 101A: Locknut
- 132: Latch
- 132A: Spring
- 132B: Bushing
- 133: Latch Lock
- 133A: Spring
- 134B: Bushing
- 274A: Locknut
- 234: Bolt
- 231: Bolt



* Model numbers are listed on this page. For a list of 8-digit part numbers used for ordering, see pages 43-44

* Important guidelines for this product are found on page 9



240K Coupling

ORDERING INFORMATION



The 240K is a direct result of customer requests for a King T-22 pintle hook replacement model. Utilizing customer input, this coupling was engineered with a time-tested latch system, which is used on many of our models. This strong, easy to operate, strike-resistant latch system is a proven performer within our product line. The pintle body is made of Premalloy, for extra toughness and wear resistance. This results in many years of service, which our customers have come to expect from this exclusive material.

240K (PART #10001128)

240KL (PART #10001132)

Coupling:

- 240K
- 240KL: 240K with 133KL Left Bar Latch Lock installed

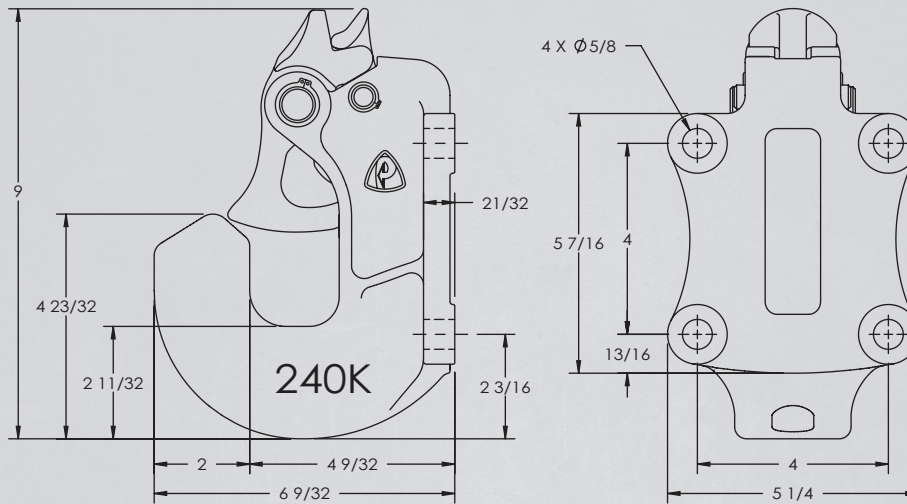
Optional Accessories:

- **Left Bar Latch Lock 133KL:** Enables user to push back the 133 Latch Lock from the left side of the coupling, instead of from the top
- **Wear Gage 14011 (pg 76):** To determine hook wear limits
- **Latch Gage 14026 (pg 76):** To determine latch gap limit

SPECIFICATIONS

Maximum Gross Trailer Weight:	45,000 lbs.	(20,412 kg)
Maximum Tongue Weight:	6,000 lbs.	(2,722 kg)
Ultimate Latch Capacity:	20,000 lbs.	(9,072 kg)
Maximum Eye X-Section:	1 13/16 in.	(46 mm)
Minimum Eye Opening:	2 3/8 in.	(60 mm)
Unit Weight:	17.1 lbs.	(7.8 kg)

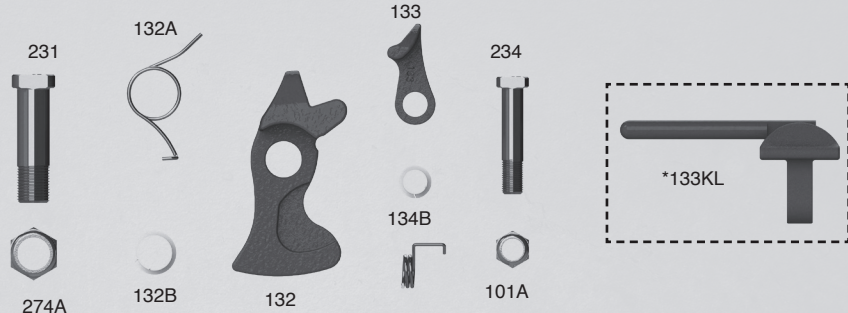
STANDARD INSTALLATION DRAWING



REPLACEMENT PART INFORMATION

130PK Parts Kit Includes:

- 101A: Locknut
- 132: Latch
- 132A: Spring
- 132B: Bushing
- 133: Latch Lock
- 133A: Spring
- 134B: Bushing
- 274A: Locknut
- 234: Bolt
- 231: Bolt
- * 133KL: Left Bar Latch Lock



*Not included in parts kit, available individually.

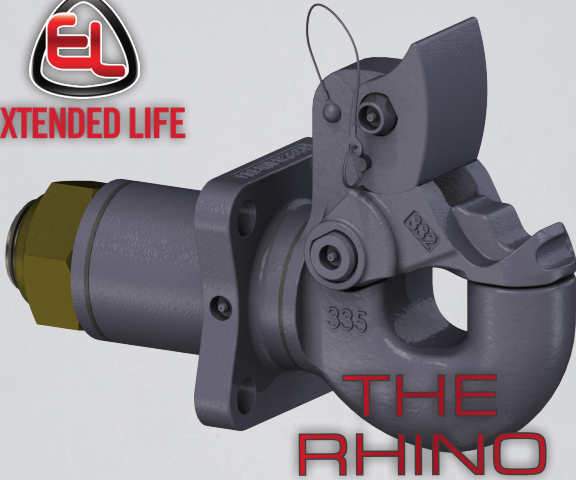
*Model numbers are listed on this page. For a list of 8-digit part numbers used for ordering, see pages 43-44

*Important guidelines for this product are found on page 9



335NTEL Coupling

ORDERING INFORMATION



Our 335NTEL is the RHINO of swivel couplings with an unsurpassed GTW capacity of 110,000 lbs. A new latch delivers the easiest to use one-handed operation in the industry. Polymer washers seal and reduce wear at the swivel points to ensure a smooth and long-lasting assembly that will need little maintenance. When the going gets tough in your swivel coupling needs, *take Charge with the RHINO!*

PART #10001166

Coupling:

- 335NTEL

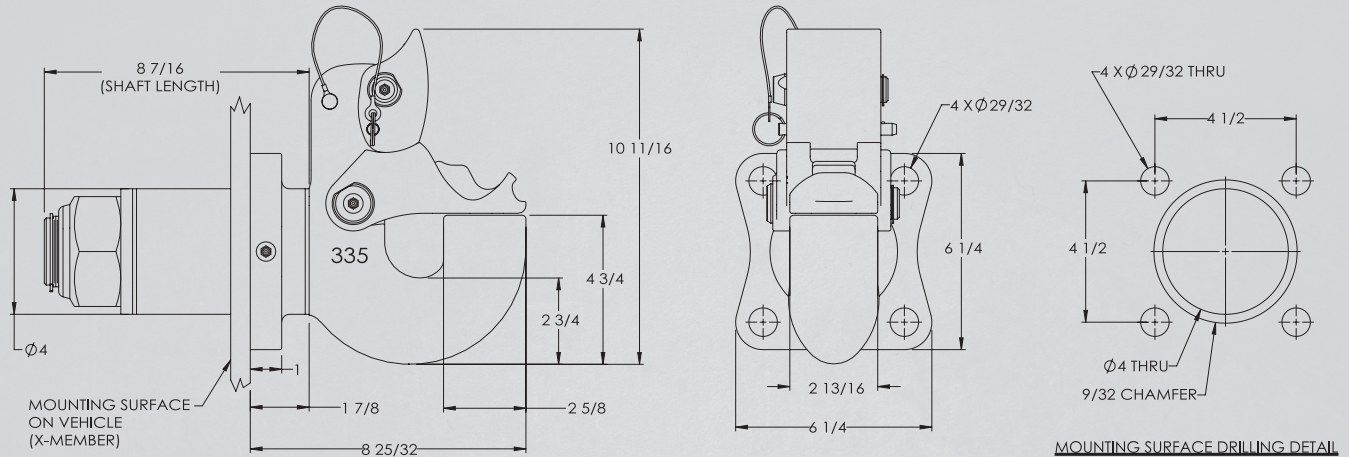
Optional Accessories:

- Wear Gage 14020 (pg 76): To determine hook wear limits
- Latch Gage 14026 (pg 76): To determine latch gap limit

SPECIFICATIONS

Maximum Gross Trailer Weight:	110,000 lbs.	(49,895 kg)
Maximum Tongue Weight:	20,000 lbs.	(9,072 kg)
Ultimate Latch Capacity:	65,000 lbs.	(29,484 kg)
Maximum Eye X-Section:	1 3/4 in.	(44 mm)
Minimum Eye Opening:	3 in.	(76 mm)
Unit Weight:	63.5 lbs.	(28.8 kg)

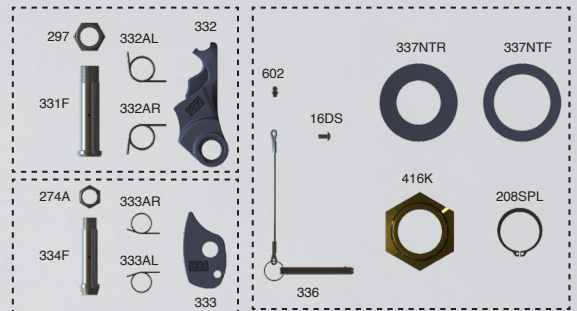
STANDARD INSTALLATION DRAWING



REPLACEMENT PART INFORMATION

335NTEL Parts Available:

- | | |
|-----------------|-----------------------------------|
| *331: Pin | ***16DS: Drive Screw |
| *332: Latch | ***208SPL: Retaining Ring |
| *332AL: Spring | ***336: Safety Pin & Cable |
| *332AR: Spring | ***337NTF: Nylatron Washer |
| *297 Locknut | ***337NTR: Nylatron Washer |
| *297A: Locknut | ***416K: Locknut |
| **333: Pawl | ***602: Zerk Fitting |
| **333AL: Spring | * Available as 332PK-EL |
| **333AR: Spring | ** Available as 333PK-EL |
| **334: Pin | *** Available individually |



* Model numbers are listed on this page. For a list of 8-digit part numbers used for ordering, see pages 43-44

* Important guidelines for this product are found on page 9



480 Coupling

ORDERING INFORMATION

Coupling:
- 480

Optional Accessories:

- Bolt Kit 507 (pg 78): Four - 3/4 in. (19 mm) O.D. x 2 3/4 in. (70 mm) long bolts and locknuts
- Wear Gage 14014 (pg 76): To determine hook wear limits
- Latch Gage 14026 (pg 76): To determine latch gap limit



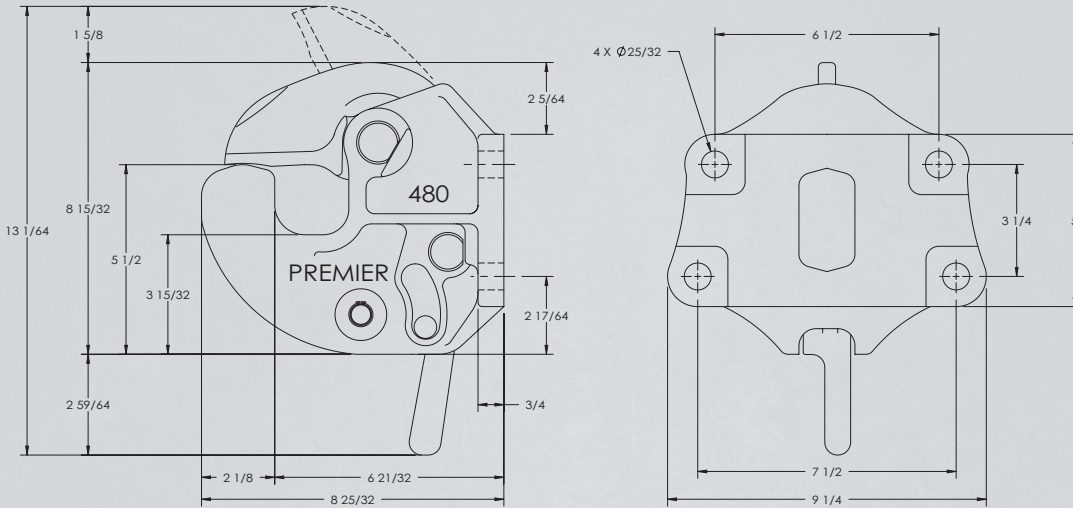
One of our highest capacity non-air couplings, the model 480 has high strength latch components that are strike-resistant and concealed within the coupling body. Conveniently located grease zerks provide for easy maintenance of internal components.

PART #10001183

SPECIFICATIONS

Maximum Gross Trailer Weight:	130,000 lbs.	(58,967 kg)
Maximum Tongue Weight:	21,000 lbs.	(9,525 kg)
Ultimate Latch Capacity:	30,000 lbs.	(13,608 kg)
Maximum Eye X-Section:	1 13/16 in.	(46 mm)
Minimum Eye Opening:	2 3/8 in.	(60 mm)
Unit Weight:	34.5 lbs.	(15.6 kg)

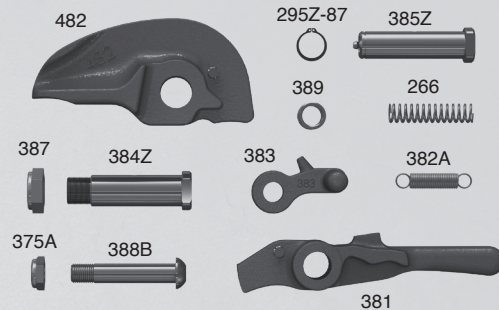
STANDARD INSTALLATION DRAWING



REPLACEMENT PART INFORMATION

480RK Parts Kit Includes:

- | | |
|-------------------------|-------------|
| 266: Spring | 388B: Bolt |
| 295Z-87: Retaining Ring | 389: Spacer |
| 375A: Nut | 482: Latch |
| 381: Handle | |
| 382A: Spring | |
| 383: Lever | |
| 384Z: Bolt | |
| 385Z: Pin | |
| 387: Locknut | |



* Model numbers are listed on this page. For a list of 8-digit part numbers used for ordering, see pages 43-44
 * Important guidelines for this product are found on page 9



580 Coupling

ORDERING INFORMATION



PREMALLOY



A long time favorite of the logging industry, Premier's 580 coupling offers a low profile and a very popular mounting pattern. External oil cup enables easy lubrication of internal latch components.

PART #10001193

Coupling:

- 580

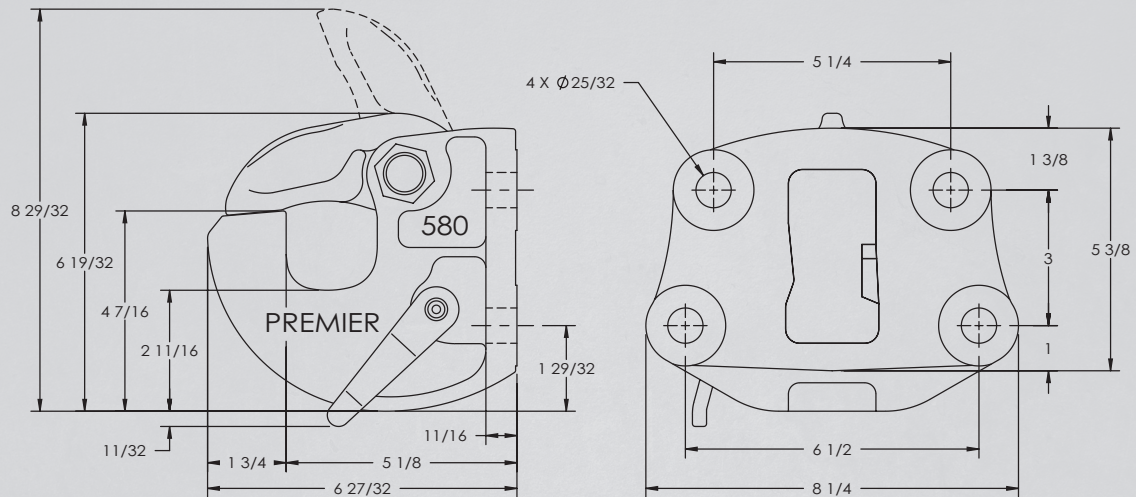
Optional Accessories:

- **Bolt Kit 507 (pg 78):** Four - 3/4 in. [19 mm] O.D. x 2 3/4 in. (70 mm) long bolts and locknuts
- **Wear Gage 14008 (pg 76):** To determine hook wear limits
- **Latch Gage 14026 (pg 76):** To determine latch gap limit

SPECIFICATIONS

Maximum Gross Trailer Weight:	70,000 lbs.	(31,751 kg)
Maximum Tongue Weight:	14,000 lbs.	(6,350 kg)
Ultimate Latch Capacity:	30,000 lbs.	(13,608 kg)
Maximum Eye X-Section:	1 13/16 in.	(46 mm)
Minimum Eye Opening:	2 in.	(51 mm)
Unit Weight:	21.3 lbs.	(9.65 kg)

STANDARD INSTALLATION DRAWING

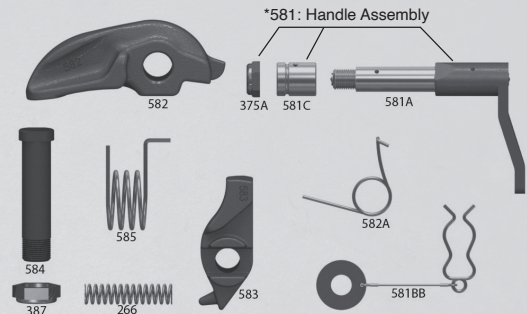


REPLACEMENT PART INFORMATION

580RK Parts Kit Includes:

- | | |
|---------------------|-----------------------|
| 266: Spring | 583: Pawl |
| 375A: Locknut | 584: Bolt |
| 387: Locknut | 585: Spring |
| 581A: Handle | *581: Handle Assembly |
| 581BB: Clip & Cable | |
| 581C: Bushing | |
| 582: Latch | |
| 582A: Spring | |

**Not included in parts kit, available individually.*



* Model numbers are listed on this page. For a list of 8-digit part numbers used for ordering, see pages 43-44

* Important guidelines for this product are found on page 9



580J Coupling

ORDERING INFORMATION



PREMALLOY



The same rugged features of our 580, our 580J offers a higher load rating and slightly different mounting pattern. Protected internal latch parts, easy lubrication and ease of operation are trademarks of all our 80 series couplings.

PART #10001196

Coupling:
- 580J

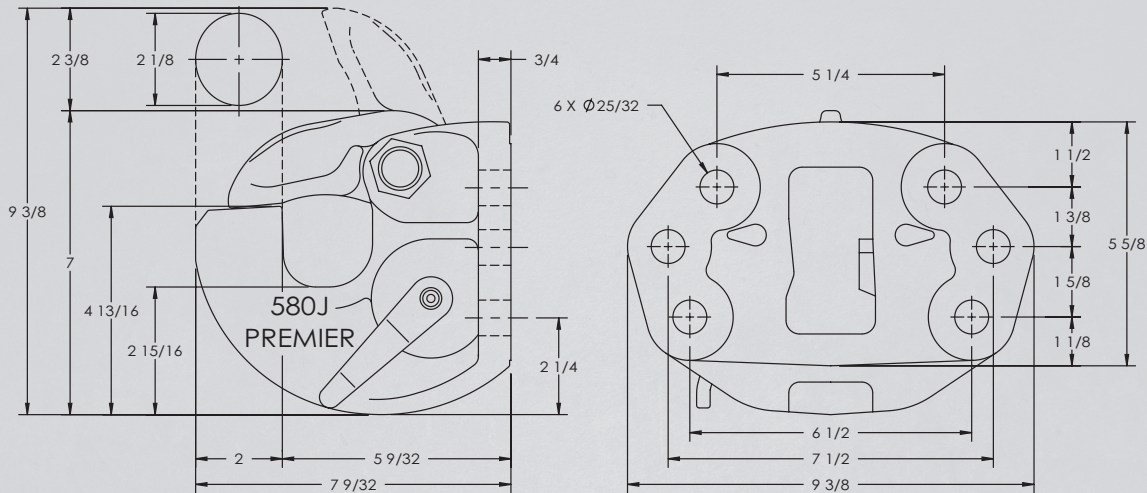
Optional Accessories:

- Bolt Kit 503 (pg 78): Six - 3/4 in. (19 mm) O.D. x 2 1/2 in. (64 mm) long bolts and locknuts
- Wear Gage 14011 (pg 76): To determine hook wear limits
- Wear Gage 14014 (pg 76): To determine hook wear limits
- Latch Gage 14026 (pg 76): To determine latch gap limit

SPECIFICATIONS

Maximum Gross Trailer Weight:	90,000 lbs.	(40,823 kg)
Maximum Tongue Weight:	18,000 lbs.	(8,165 kg)
Ultimate Latch Capacity:	30,000 lbs.	(13,608 kg)
Maximum Eye X-Section:	1 13/16 in.	(46 mm)
Minimum Eye Opening:	2 3/8 in.	(60 mm)
Unit Weight:	25.3 lbs.	(11.5 kg)

STANDARD INSTALLATION DRAWING

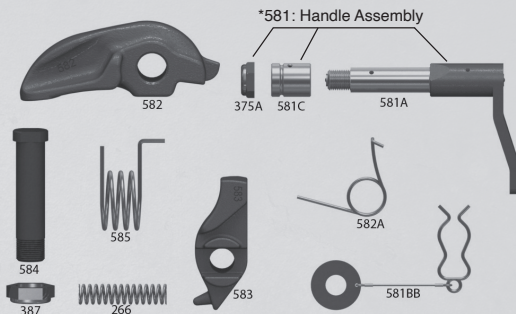


REPLACEMENT PART INFORMATION

580RK Parts Kit Includes:

- | | |
|---------------------|-----------------------|
| 266: Spring | 583: Pawl |
| 375A: Locknut | 584: Bolt |
| 387: Locknut | 585: Spring |
| 581A: Handle | *581: Handle Assembly |
| 581BB: Clip & Cable | |
| 581C: Bushing | |
| 582: Latch | |
| 582A: Spring | |

**Not included in parts kit, available individually.*



*Model numbers are listed on this page. For a list of 8-digit part numbers used for ordering, see pages 43-44

*Important guidelines for this product are found on page 9



690L Drop-Pintle Coupling



PREMALLOY



690L

Premier's 690L coupling offers similar features to our model 590 but with a higher load capacity. The drop-pintle hook is made of Premier's exclusive Premalloy, for maximum wear resistance.

PART #10001221

ORDERING INFORMATION

Coupling:

- 690L

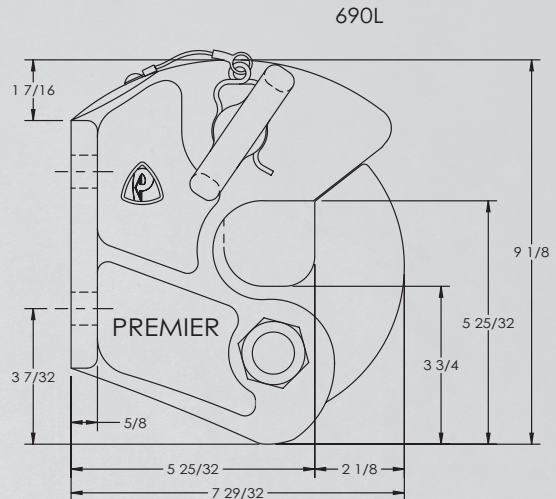
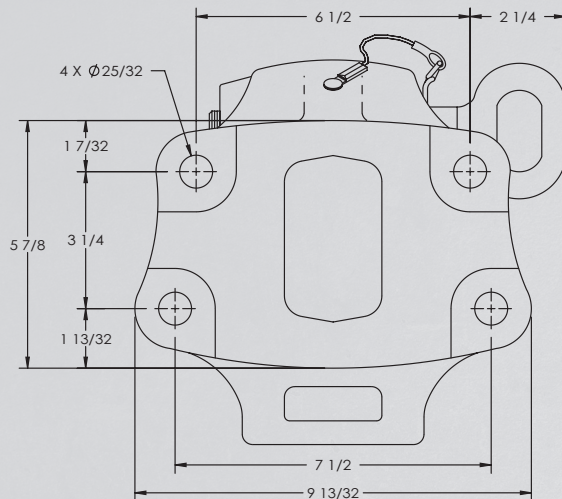
Optional Accessories:

- Bolt Kit 507 (pg 78): Four - 3/4 in. (19 mm) O.D. x 2 3/4 in. (70 mm) long bolts and locknuts
- Wear Gage 14014 (pg 76): To determine hook wear limits
- Latch Gage 14026 (pg 76): To determine latch gap limit

SPECIFICATIONS

Maximum Gross Trailer Weight:	90,000 lbs.	(40,823 kg)
Maximum Tongue Weight:	18,000 lbs.	(8,165 kg)
Upward Vertical Capacity:	40,000 lbs.	(18,144 kg)
Maximum Eye X-Section:	1 11/16 in.	(43 mm)
Minimum Eye Opening:	2 3/8 in.	(60 mm)
Unit Weight:	41.8 lbs.	(19 kg)

STANDARD INSTALLATION DRAWING

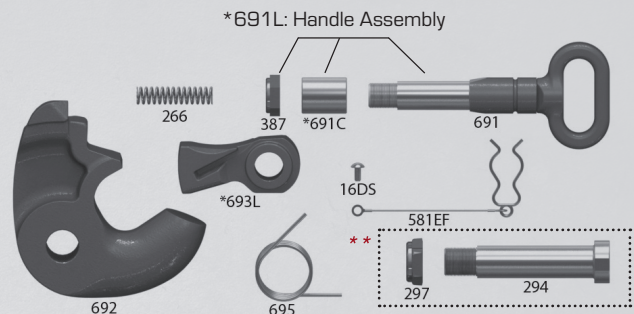


REPLACEMENT PART INFORMATION

690LRK Parts Kit Includes:

- | | |
|------------------------|-------------|
| 16DS: Drive Screw | 692: Hook |
| 266: Spring | *693L: Pawl |
| **294: Bolt | 695: Spring |
| **297: Locknut | |
| 387: Locknut | |
| 581EF: Clip & Cable | |
| 691: Handle | |
| *691C: Bushing | |
| *691L: Handle Assembly | |

*Available individually **Available for sale as 294K



*Model numbers are listed on this page. For a list of 8-digit part numbers used for ordering, see pages 43-44

*Important guidelines for this product are found on page 9



990L / 990R Drop-Pintle Coupling

ORDERING INFORMATION

Coupling:

- 990L/990R
- 990: 990L and 990R sold together

Optional Accessories:

- Bolt Kit 507 (pg 78): Four - 3/4 in. (19 mm) O.D. x 2 3/4 in. (70 mm) long bolts, and nuts
- 200L Drawbar Eye (pg 53) : Designed for use with C-Dollies
- Wear Gage 14014 (pg 76): To determine hook wear limits
- Latch Gage 14026 (pg 76): To determine latch gap limit



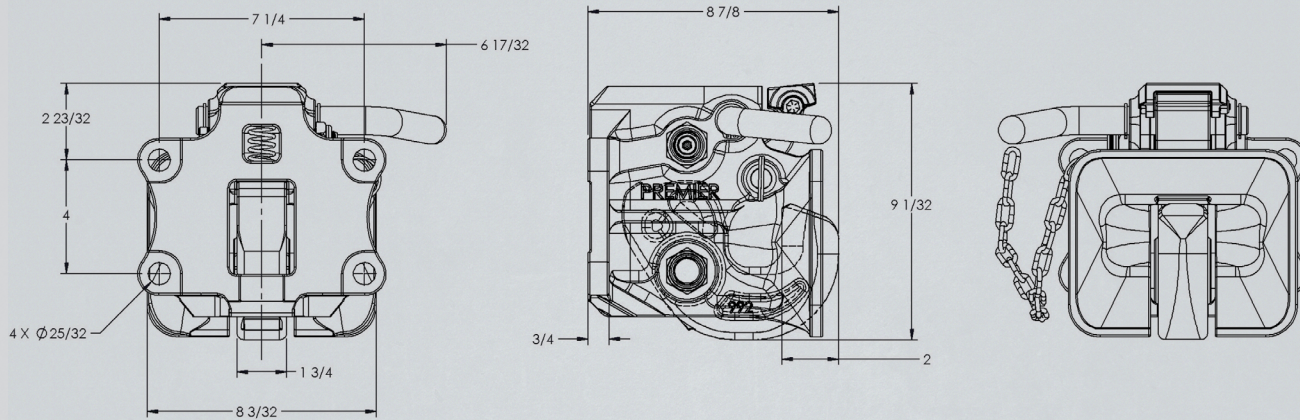
Premier Manufacturing's **NEW** 990 coupling offers a mounting pattern for compatibility with existing x-members and can be converted to left or right hand operations. This coupling was specifically designed to make C Dolly coupling and uncoupling simple, safe, and easy. *990 Coupling replaces the discontinued 890 Coupling. **NOT** to be used for A-Dolly applications. *Only available in Mexico.

PART #10005631 (Pair) / #10005632 (Left) / #10005633 (Right)

SPECIFICATIONS

Maximum Gross Trailer Weight:	100,000 lbs.	(45,359 kg)
Maximum Tongue Weight:	18,000 lbs.	(8,165 kg)
Upward Vertical Capacity:	18,000 lbs.	(8,165 kg)
Maximum Eye X-Section:	1 13/16 in.	(46 mm)
Minimum Eye Opening:	2 3/8 in.	(60 mm)
Unit Weight:	50.5 lbs	(22.9 kg)

STANDARD INSTALLATION DRAWING



REPLACEMENT PART INFORMATION

990PK-LK Latch Parts Kit

Includes:

- 995 Handle
- 996 Cam
- 996A Set Screw
- 995A Snap Ring (2)
- 297 Lock Nut
- 993 Latch Assembly
- 993A Spring
- 2071EL Latch Bolt (w/zerk)

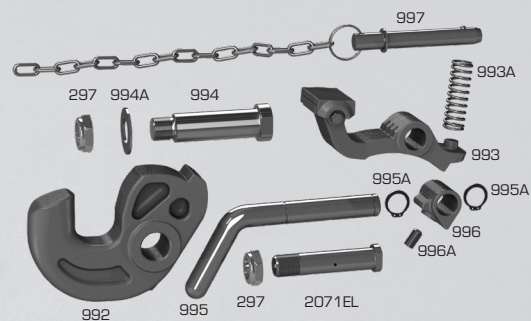
990PK-HK Hook Parts Kit

Includes:

- 297 Lock Nut
- 994 Hook Bolt
- 992 Hook
- 994A Washer

Sold Individually

- 997 Safety Pin (w/chain)



*Model numbers are listed on this page. For a list of 8-digit part numbers used for ordering, see pages 43-44

*Important guidelines for this product are found on page 9



Part Number Reference Guide

COUPLING/COUPLING KITS

MODEL #	PART #	DESCRIPTION
1200	10005664	Air Coupling
130	10001039	Non-Air Coupling
1300	10005668	Air Coupling
135NT	10001050	Non-Air Coupling
140	10001061	Non-Air Coupling
1400	10005672	Air Coupling
1400A	10005695	Air Coupling
1400A-2	10005696	Air Coupling
1400H	10005676	Air Coupling
1400HA	10005697	Air Coupling
1400HA-2	10005698	Air Coupling
150	10004672	Non-Air Coupling
150-1	10004673	Non-Air Coupling
16	10001087	Non-Air Coupling
160	10001089	Non-Air Coupling
160HD	10001093	Non-Air Coupling
2200	10004688	Air-Coupling
2200EL	10004693	Air-Coupling
2200ELA	10004695	Air-Coupling
2200ELL	10004696	Air-Coupling
2200ELLA	10004698	Air Coupling
2200L	10004699	Air Coupling
2300	10004704	Air-Coupling
2300A	10004706	Air-Coupling
2300EL	10004709	Air-Coupling
2300ELA	10004711	Air-Coupling
235NT	10001113	Non-Air Coupling
24	10001122	Non-Air Coupling
240	10001124	Non-Air Coupling
2400	10004713	Air-Coupling
2400A	10004715	Air-Coupling
2400EL	10004719	Air-Coupling
2400ELA	10004721	Air-Coupling
2400H	10004722	Air-Coupling
2400HA	10004724	Air-Coupling
2400HEL	10004727	Air-Coupling
2400HELA	10004729	Air-Coupling
240K	10001128	Non-Air Coupling
240KL	10001132	Non-Air Coupling
270	10004733	Air-Coupling
270A	10004735	Air-Coupling
2880	10004742	Air-Coupling
2880A	10004744	Air-Coupling
2880EL	10004745	Air-Coupling
2880ELA	10004747	Air-Coupling
335NTEL	10001166	Non-Air Coupling
370	10004757	Air-Coupling
370A	10004759	Air-Coupling
370B	10004764	Air-Coupling
370BC	10004765	Air-Coupling

COUPLING/COUPLING KITS

MODEL ID #	PART #	DESCRIPTION
480	10001183	Non-Air Coupling
570	10004789	Air-Coupling
570A	10004790	Air-Coupling
580	10001193	Non-Air Coupling
580J	10001196	Non-Air Coupling
690L	10001221	Non-Air Coupling
780	10004801	Air-Coupling
820ELA	10004805	Air-Coupling
820ELR	10004807	Air-Coupling
990	10005631	Non-Air Coupling
990L	10005632	Non-Air Coupling
990R	10005633	Non-Air Coupling

COUPLING REPLACEMENT/ACCESSORIES

MODEL ID #	PART #	DESCRIPTION
100PK	10000205	Parts Kit
101A	10000208	Locknut
102	10000209	Bolt
130PK	10001043	Parts Kit
132	10000210	Latch
132A	10000211	Spring
132B	10000212	Bushing
133	10000214	Latch Lock
133A	10000215	Spring
133KL	10000216	Left Bar Latch Lock
134B	10000219	Bushing
135A	10001046	Spring
135P	10001052	Mounting Plate
135PK	10001054	Parts Kit
135SR	10001056	Retaining Ring
136	10001058	Locknut
137NT	10001059	Nylatron Bushing
138	10001060	Washer
141	10001065	Latch
142	10001067	Latch Key
143	10001068	Spring
150PK	10001075	Parts Kit
151	10001077	Trigger
152	10001078	Latch
152B	10001079	Bushing
159	10000438	Bolt Kit
16A	10001097	Spring
16C	10004679	Pin & Cable
2000PK	10000737	Parts Kit
2000PK-L	10007183	Parts Kit
2000PK-EL	10000739	Parts Kit
2071	10000221	Bolt
2072	10000223	Latch
2072A	10000224	Spring
2072B	10000225	Bushing



Part Number Reference Guide

COUPLING REPLACEMENT/ACCESSORIES

MODEL ID #	PART #	DESCRIPTION
2072EL	10000227	Latch
2073	10000232	Latch Lock
2073A	10000233	Spring
2073B	10000234	Bushing
2073EL	10000236	Latch Lock
2074B	100006297	Bolt
2075	10000242	Lever
2075B	10007018	Spacer
2075K	10000244	Low Profile Lever Kit
2075X	10007548	Handle
2200PK-ELL	10000262	Parts Kit
235P	10001115	Mounting Plate
208	10001106	Retaining Ring
231	10008562	Bolt
234	10008563	Bolt
235P	10001115	Mounting Plate
235W	10005992	Washer
237NT	10001119	Nylatron Bushing
238	10001120	Washer
25	10001141	Hook
266	10000290	Spring
267	10000098	Air Chamber Bracket
267F	10000101	Air Chamber Bracket
267H	10000102	Air Chamber Bracket
27	10004732	Pin
270PK	10000292	Parts Kit
271	10000107	Thimble
271B	10000108	Thimble
271C	10000109	Thimble
271D	10000110	Thimble
271H	10000106	Thimble
272	10000298	Latch
273	10000301	Pawl
274	10000308	Bolt
274A	10000309	Locknut
275	10004740	Pin
279	10000312	Shoe
279PK	10000315	Parts Kit
281	10000116	Air Chamber
281C	10000117	Air Chamber
281L	10000120	Air Chamber
282	10000122	Air Chamber
297	10000323	Locknut
332PK-EL	10001153	Parts Kit
333PK-EL	10001159	Parts Kit
336	10004755	Safety Pin & Cable
337NTF	10001171	Nylatron Washer
337NTF	10001171	Nylatron Washer
337NTR	10001172	Nylatron Washer
337NTR	10001172	Nylatron Washer
348A	10000856	Polymer Bushing
370PK	10000325	Parts Kit
372B	10000341	Spacer

MODEL ID #	PART #	DESCRIPTION
373	10000339	Pawl
375A	10000346	Locknut
379	10000450	Shoe
381	10001173	Handle
383	10001176	Lever
388B	10006295	Bolt
416	10001181	Locknut
467	10000135	Air Chamber Bracket
467F	10000138	Air Chamber Bracket
467H	10000140	Air Chamber Bracket
47	10000144	Coupler
470PK	10000358	Parts Kit
472	10000360	Latch
473	10000363	Pawl
475	10004787	Pin/Handle
480RK	10001187	Repair Kit
482	10001189	Latch
501	10000149	Bolt Kit
502	10000150	Bolt Kit
503	10000151	Bolt Kit
504	10000152	Bolt Kit
507	10000154	Bolt Kit
508	10000155	Bolt Kit
509	10000156	Bolt Kit
511	10000158	Bolt Kit
579	10000451	Shoe
580RK	10001199	Repair Kit
581	10004793	Handle Assembly
581A	10001201	Handle
581BB	10001203	Clip & Cable
581C	10001206	Bushing
581EF	10004794	Clip & Cable
582	10000371	Latch
583	10001038	Pawl
690LRK	10001223	Repair Kit
691	10001226	Handle
691C	10001228	Bushing
691L	10004798	Handle Assembly
692	10001230	Hook
693L	10001233	Pawl
783	10000379	Lever
820PK-EL	10000394	Parts Kit
823	10004809	Pin
824	10004810	Handle
830	10000032	Auxiliary Air Cylinder
880RK*	10000392	Repair Kit
890PK*	10001262	Parts Kit
956BK-RK	10000901	Repair Kit

* Discontinued

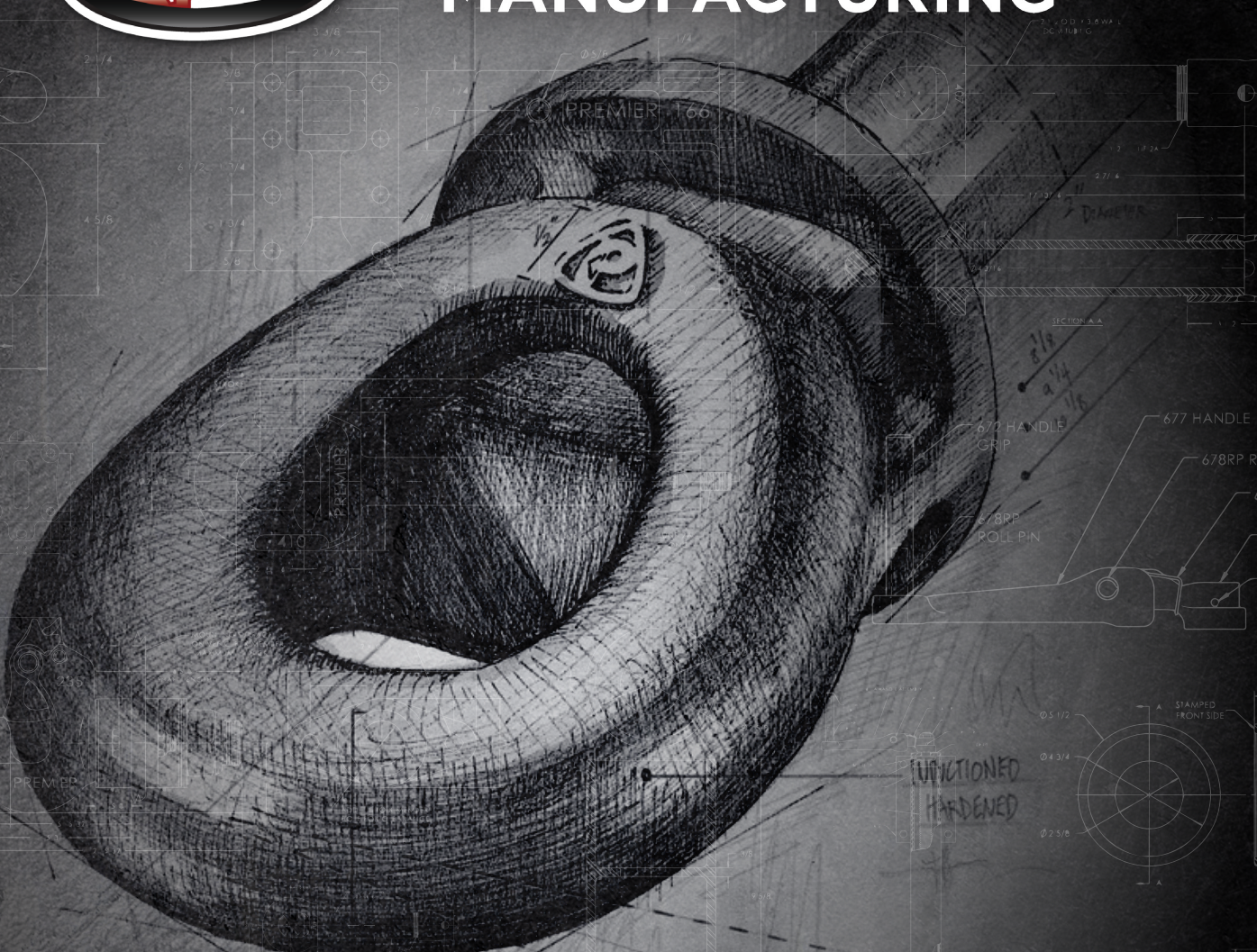
Use the 'search' function on the website to easily find all new and legacy part numbers.





PREMIER

MANUFACTURING



DRAWBAR EYES

IMPORTANT GUIDELINES THAT APPLY TO ALL PREMIER DRAWBAR EYES

- Never attempt weld repair of damaged or worn drawbar eyes
- Slack reducing drawbar eyes must be used with an air service chamber or #500 slack adjuster
- Only Grade-8 fasteners properly torqued should be used when attaching bolt- on drawbar eyes
- Clean and inspect drawbar eyes and eye assemblies for damage or excessive wear before each and every use
- Structure to which eye is attached must be of sufficient strength to withstand load rating of eye
- All welds for attaching eye should be done by a certified welder skilled in structural welding
- Never attempt to use a swivel-type drawbar eye with a swivel-type coupling
- Do not bind-up (Jackknife) any application as stresses can cause damage to products or components, resulting in failure and detachment of the trailer while in use
- Do not apply lubricants to the drawbar eye loop

Drawbar Eyes

Induction Deep Case-Hardening

Induction Deep Case-Hardening and what this means to you...

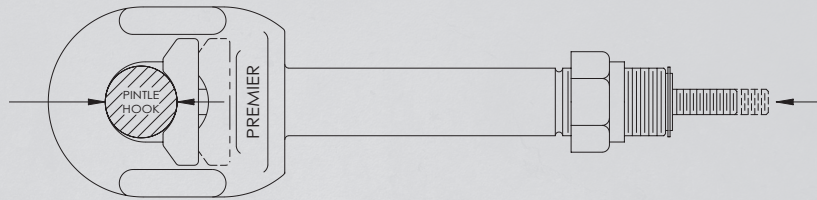
Premier's practice of **Induction Deep Case-Hardening** all* Drawbar Eyes benefits you, the end user, by dramatically extending its life. Our targeted, Deep Case-Hardening provides an optimized wear resistant material in the wear zones and is deep enough to benefit the Drawbar Eyes over their entire life while maintaining a material that is optimized for impact and strength underneath and throughout the rest of the drawbar eye increasing its performance and safety.

*Weld-On model 2 and Bolt-On Adjustable Eyes 127 & 127F (Premalloy) are the only Premier Drawbar Eyes that are not Induction Hardened.

Slack Reducing Drawbar Eyes

The Slack Reducing Drawbar Eyes

work to maintain a tight fit between the drawbar eye loop and pintle hook. The snug fit improves the ride & handling while reducing wear for increased service life.



Slack Reducing Drawbar Eyes are available in Bolt-On, Weld-On and Swivel models. Review the appropriate models for further details of slack reducing options.

They can be used with either a standard type 24 (#281) or 30 (#282) Air Chamber (page 77), or Premier model 500 Mechanical Slack Adjuster (page 78).

Drawbar Eye - to - Wear Gage Cross Reference

Our **Wear Gages** were designed to identify wear by measuring the cross-section of drawbar eye loops and coupling pintle hooks. 18% wear indicates that the product should be replaced as soon as possible. At 20% wear, the product is no longer in usable condition and must be taken out of service immediately and replaced (see pg 76).

Drawbar Eye	Wear Gage #
2	n/a
3	14002
4	14005
5	14005 & 14008
6	14032
6A	14032
8	14005
11*	14002
20	14005
21	14005
22	14005
23	14005

* Discontinued

Drawbar Eye	Wear Gage #
107*	14005 & 14032
108	14005 & 14032
110	14005 & 14032
123	14005
126*	14005 & 14032
127/127F	14005 & 14032
200	14005
200L	14005
203*	14032 & 14008
205	14005 & 14032
207	14005

Drawbar Eye	Wear Gage #
300/300HD	14032
304	14005, 14035
305	14032 & 14008
307	14032
309	14032 & 14008
405	14032 & 14008
405SE	14032 & 14008
407SE	14032 & 14008
238DB	14005
245DB	14005
245DB-3	14005

* Model numbers are listed on this page. For a list of 8-digit part numbers used for ordering, see page 58

* Important guidelines for this product are found on page 45



Weld-On Drawbar Eyes

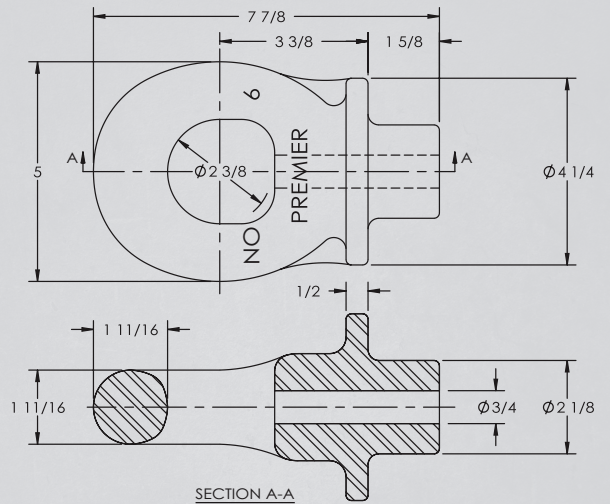
6 Weld-On Eye



PART #10000839

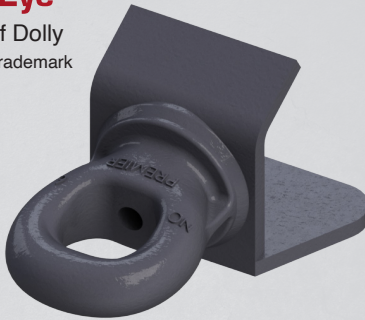
SPECIFICATIONS

Maximum Gross Trailer Weight:	100,000 lbs.	(45,359 kg)
Maximum Tongue Weight:	15,000 lbs.	(6,804 kg)
Inside Diameter:	2 3/8 in.	(60 mm)
Unit Weight:	12 lbs.	(5.4 kg)



6A Weld-On Eye

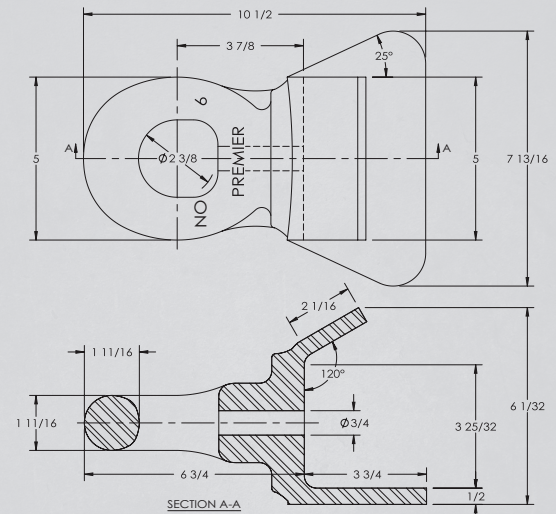
Retrofit for *Fruehauf Dolly
*Fruehauf is a registered trademark of Fruehauf Corporation.



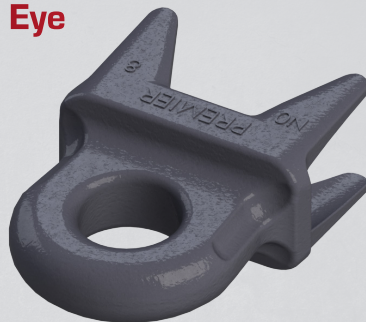
PART #10000841

SPECIFICATIONS

Maximum Gross Trailer Weight:	100,000 lbs.	(45,359 kg)
Maximum Tongue Weight:	15,000 lbs.	(6,804 kg)
Inside Diameter:	2 3/8 in.	(60 mm)
Unit Weight:	18.9 lbs.	(8.6 kg)



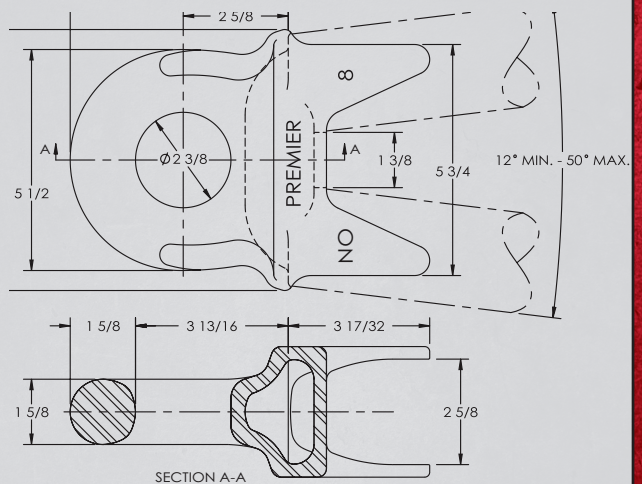
8 Weld-On Eye



PART #10000848

SPECIFICATIONS

Maximum Gross Trailer Weight:	100,000 lbs.	(45,359 kg)
Maximum Tongue Weight:	15,000 lbs.	(6,804 kg)
Inside Diameter:	2 3/8 in.	(60 mm)
Unit Weight:	11.3 lbs.	(5.1 kg)



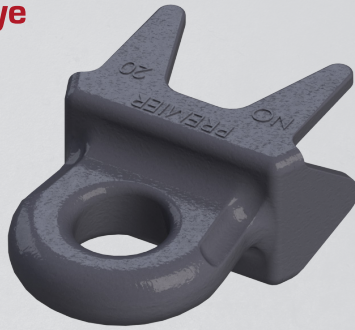
Designed For: 2 1/2 in. (64 mm) round tubing

* Model numbers are listed on this page. For a list of 8-digit part numbers used for ordering, see page 58

* Important guidelines for this product are found on page 45

Weld-On Drawbar Eyes

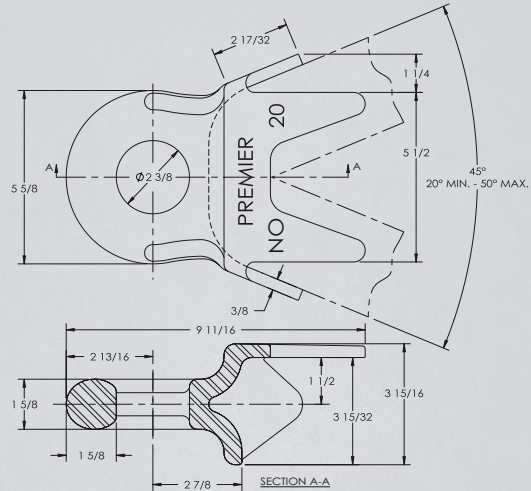
20 Weld-On Eye



PART #1000734

SPECIFICATIONS

Maximum Gross Trailer Weight: 100,000 lbs. (45,359 kg)
 Maximum Tongue Weight: 15,000 lbs. (6,804 kg)
 Inside Diameter: 2 3/8 in. (60 mm)
 Unit Weight: 13.3 lbs. (6 kg)



Designed For: 3 in. (76 mm) standard channel or square tubing

110 Weld-On Slack Reducing Eye



Parts Included:

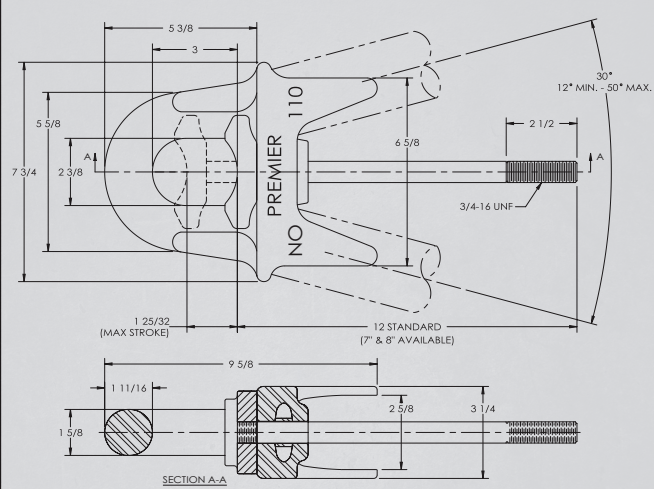
- 411 Shoe
- 110 Drawbar Eye
- Choice of Pushrod length

Pushrod Lengths:

- 113: 12 in. (305 mm)
- 113A: 8 in. (203 mm)
- 113B: 7 in. (178 mm)
- 3/4 in. - 16 NF thrd. on all rods

SPECIFICATIONS

Maximum Gross Trailer Weight: 100,000 lbs. (45,359 kg)
 Maximum Tongue Weight: 15,000 lbs. (6,804 kg)
 Inside Diameter: 2 3/8 in. (60 mm)
 Unit Weight: 16.5 lbs. (7.5 kg)



Designed For: 2 1/2 in. (64 mm) round tubing

123 Weld-On Slack Reducing Eye



Parts Included:

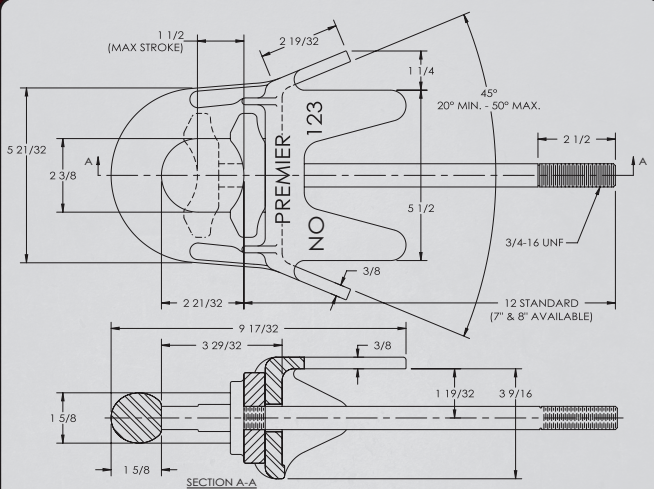
- 411 Shoe
- 123 Drawbar Eye
- Choice of Pushrod length

Pushrod Lengths:

- 113: 12 in. (305 mm)
- 113A: 8 in. (203 mm)
- 113B: 7 in. (178 mm)
- 3/4 in. - 16 NF thrd. on all rods

SPECIFICATIONS

Maximum Gross Trailer Weight: 100,000 lbs. (45,359 kg)
 Maximum Tongue Weight: 15,000 lbs. (6,804 kg)
 Inside Diameter: 2 3/8 in. (60 mm)
 Unit Weight: 15.6 lbs. (7.1 kg)



Designed For: 3 in. (76 mm) standard channel or square tubing

*Model numbers are listed on this page. For a list of 8-digit part numbers used for ordering, see page 58

*Important guidelines for this product are found on page 45



Weld-On Drawbar Eyes

21 Weld-On Eye

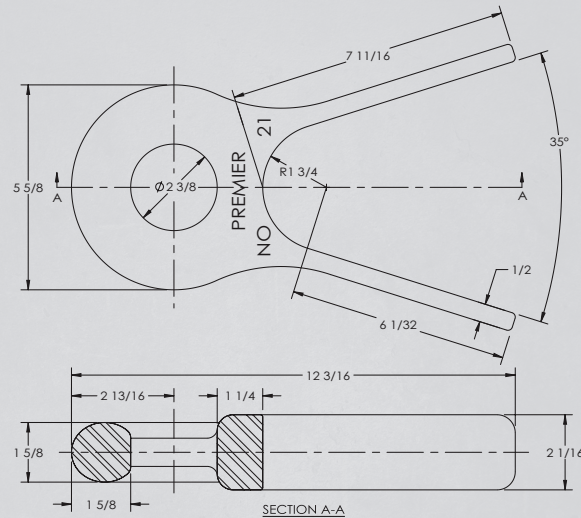
- 35 degree "V" angle.
- Weld tabs can be heated and bent +/- 10 degrees to accommodate installation requirements.



PART #10000772

SPECIFICATIONS

Maximum Gross Trailer Weight:	100,000 lbs. (45,359 kg)
Maximum Tongue Weight:	15,000 lbs. (6,804 kg)
Inside Diameter:	2 3/8 in. (60 mm)
Unit Weight:	12.7 lbs. (5.8 kg)



22 Weld-On Eye

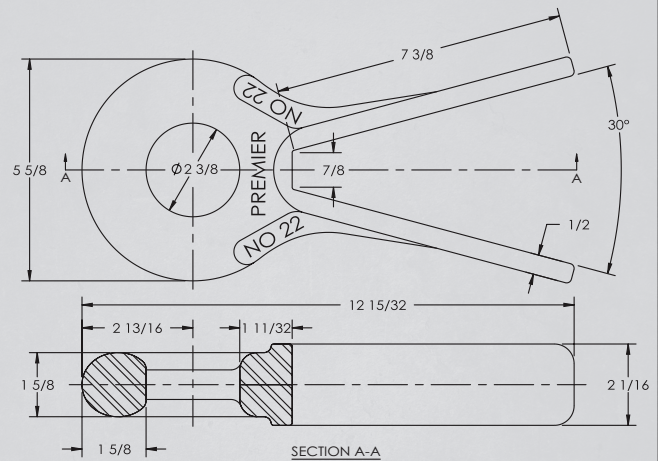
- 30 degree "V" angle.
- Weld tabs can be heated and bent +/- 10 degrees to accommodate installation requirements.



PART #10000774

SPECIFICATIONS

Maximum Gross Trailer Weight:	100,000 lbs. (45,359 kg)
Maximum Tongue Weight:	15,000 lbs. (6,804 kg)
Inside Diameter:	2 3/8 in. (60 mm)
Unit Weight:	12 lbs. (5.4 kg)



23 Weld-On Eye

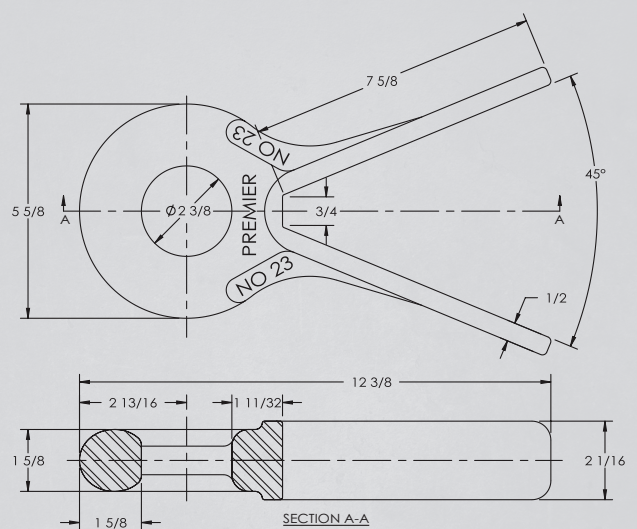
- 45 degree "V" angle.
- Weld tabs can be heated and bent +/- 10 degrees to accommodate installation requirements.



PART #10000777

SPECIFICATIONS

Maximum Gross Trailer Weight:	100,000 lbs. (45,359 kg)
Maximum Tongue Weight:	15,000 lbs. (6,804 kg)
Inside Diameter:	2 3/8 in. (60 mm)
Unit Weight:	12.3 lbs. (5.6 kg)



* Model numbers are listed on this page. For a list of 8-digit part numbers used for ordering, see page 58

* Important guidelines for this product are found on page 45

Weld-On Drawbar Eyes

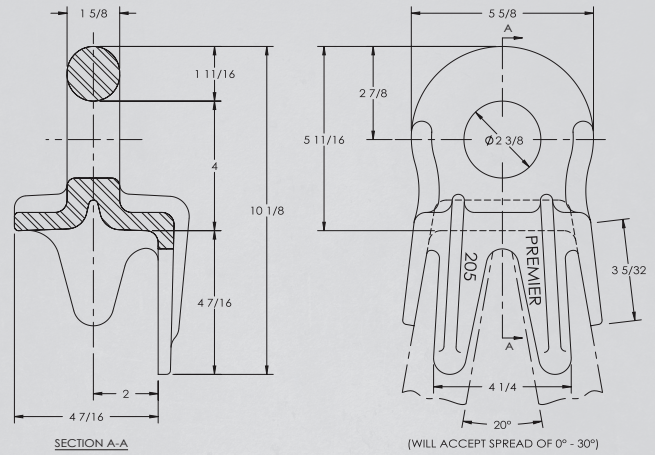
205 Weld-On Eye



PART #10000746

SPECIFICATIONS

Maximum Gross Trailer Weight:	100,000 lbs. (45,359 kg)
Maximum Tongue Weight:	15,000 lbs. (6,804 kg)
Inside Diameter:	2 3/8 in. (60 mm)
Unit Weight:	13.9 lbs. (6.3 kg)



Designed For: Rectangular tubing 2 in. x 4 in. (51 mm x 102 mm)
and 4 in. x 4 in. (102 mm x 102 mm)

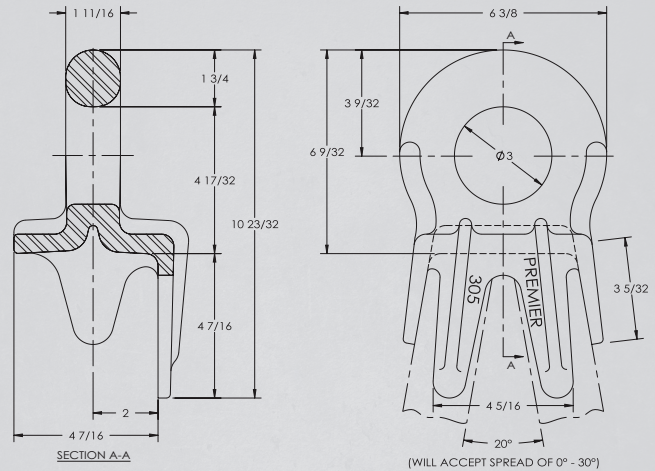
305 Weld-On Eye



PART #10000797

SPECIFICATIONS

Maximum Gross Trailer Weight:	100,000 lbs. (45,359 kg)
Maximum Tongue Weight:	15,000 lbs. (6,804 kg)
Inside Diameter:	3 in. (76 mm)
Unit Weight:	15.8 lbs. (7.2 kg)



Designed For: Rectangular tubing 2 in. x 4 in. (51 mm x 102 mm)
and 4 in. x 4 in. (102 mm x 102 mm)

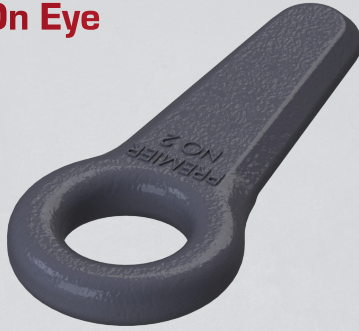
Notes:

* Model numbers are listed on this page. For a list of 8-digit part numbers used for ordering, see page 58
* Important guidelines for this product are found on page 45



Weld-On Drawbar Eyes

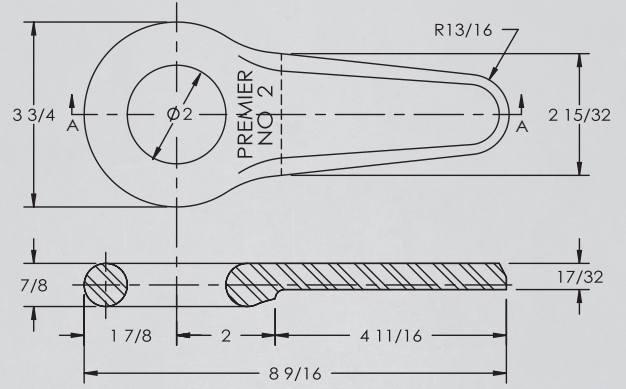
2 Weld-On Eye



PART #10000732

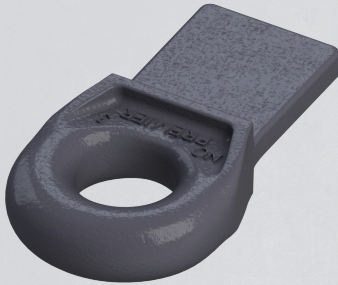
SPECIFICATIONS

Maximum Gross Trailer Weight: 12,000 lbs. (5,443 kg)
 Maximum Tongue Weight: 1,800 lbs. (816 kg)
 Inside Diameter: 2 in. (51 mm)
 Unit Weight: 3 lbs. (1.4 kg)



SECTION A-A

3 Weld-On Eye

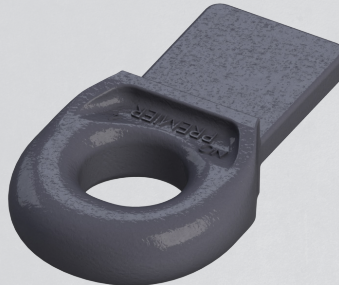


PART #10000788

SPECIFICATIONS

Max. Gross Trlr Wt: 70,000 lbs. (31,751 kg)
 Max. Tongue Wt: 10,500 lbs. (4,763 kg)
 Inside Diameter: 2 1/16 in. (52 mm)
 Unit Weight: 7.7 lbs. (3.5 kg)

4 Weld-On Eye

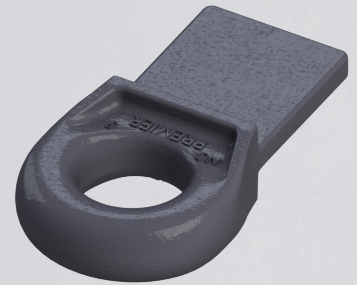


PART #10000815

SPECIFICATIONS

Max. Gross Trlr Wt: 90,000 lbs. (40,823 kg)
 Max. Tongue Wt: 13,500 lbs. (6,123 kg)
 Inside Diameter: 2 3/8 in. (60 mm)
 Unit Weight: 10.1 lbs. (4.6 kg)

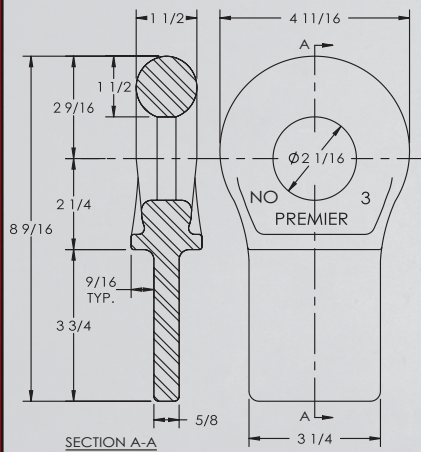
5 Weld-On Eye



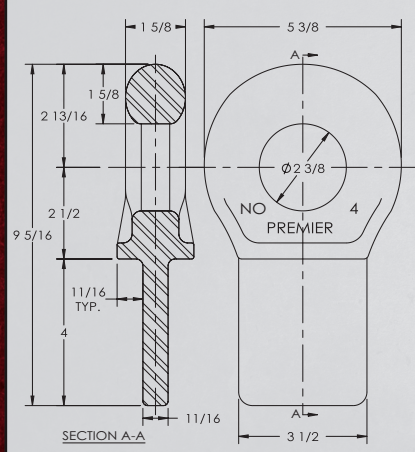
PART #10000836

SPECIFICATIONS

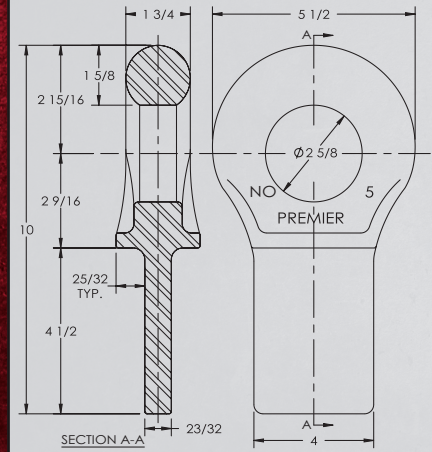
Max. Gross Trlr Wt: 90,000 lbs. (40,823 kg)
 Max. Tongue Wt: 13,500 lbs. (6,123 kg)
 Inside Diameter: 2 5/8 in. (67 mm)
 Unit Weight: 11.7 lbs. (5.3 kg)



SECTION A-A



SECTION A-A



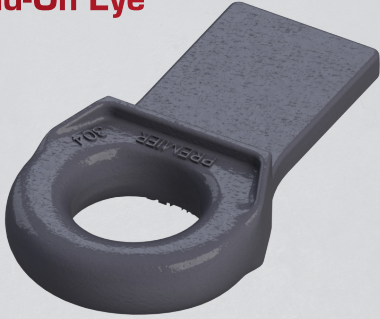
SECTION A-A

* Model numbers are listed on this page. For a list of 8-digit part numbers used for ordering, see page 58

* Important guidelines for this product are found on page 45

Weld-On Drawbar Eyes

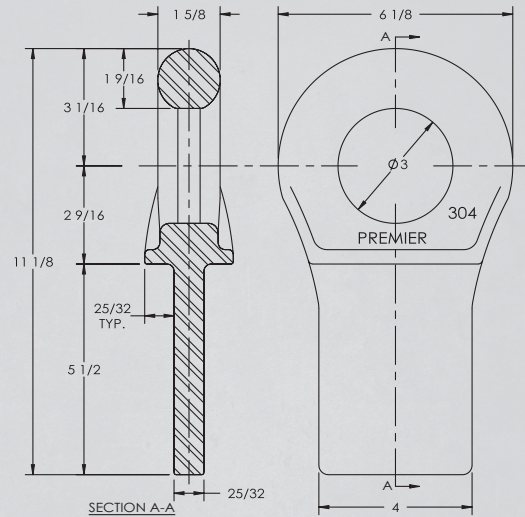
304 Weld-On Eye



PART #10000794

SPECIFICATIONS

Maximum Gross Trailer Weight:	150,000 lbs.	(68,039 kg)
Maximum Tongue Weight:	15,000 lbs.	(6,804 kg)
Inside Diameter:	3 in.	[76 mm]
Unit Weight:	13.3 lbs.	(6.0 kg)



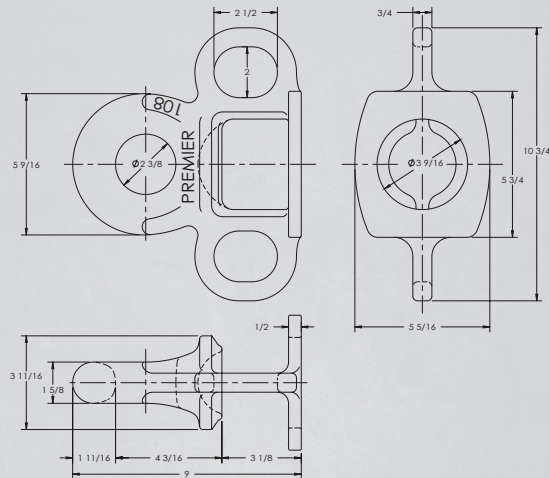
108 Weld-On Eye



PART #10000706

SPECIFICATIONS

Maximum Gross Trailer Weight:	100,000 lbs.	(45,359 kg)
Maximum Tongue Weight:	15,000 lbs.	(6,804 kg)
Inside Diameter:	2 3/8 in.	[60 mm]
Unit Weight:	15 lbs.	(6.8 kg)



Accepts: 3 1/2 in. (89 mm) round tubing

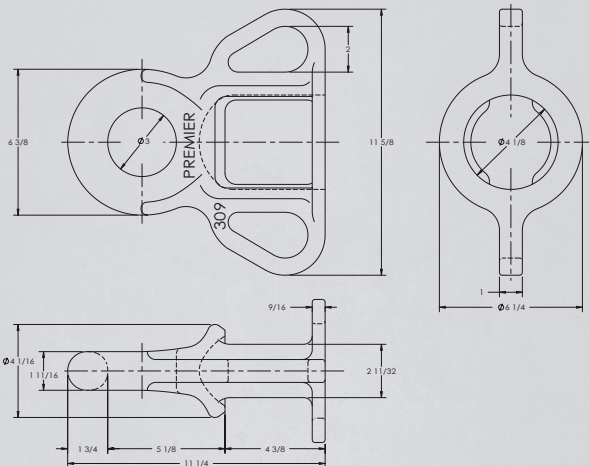
309 Weld-On Eye



PART #10000812

SPECIFICATIONS

Maximum Gross Trailer Weight:	150,000 lbs.	(68,039 kg)
Maximum Tongue Weight:	15,000 lbs.	(6,804 kg)
Inside Diameter:	3 in.	[76 mm]
Unit Weight:	24 lbs.	[10.9 kg]



Accepts: 4 in. (102 mm) round tubing

* Model numbers are listed on this page. For a list of 8-digit part numbers used for ordering, see page 58

* Important guidelines for this product are found on page 45



Bolt-On Drawbar Eyes

127/127F Bolt-On Slack Reducing Eye

Parts Included:

- 127 Drawbar Eye
- 411 Shoe
- Choice of Pushrod

*127F drawbar eye "does not include 411 Shoe or Pushrod"

Pushrod Lengths:

- 113: 12 in. (305 mm)
- 113A: 8 in. (203 mm)
- 113B: 7 in. (178 mm)

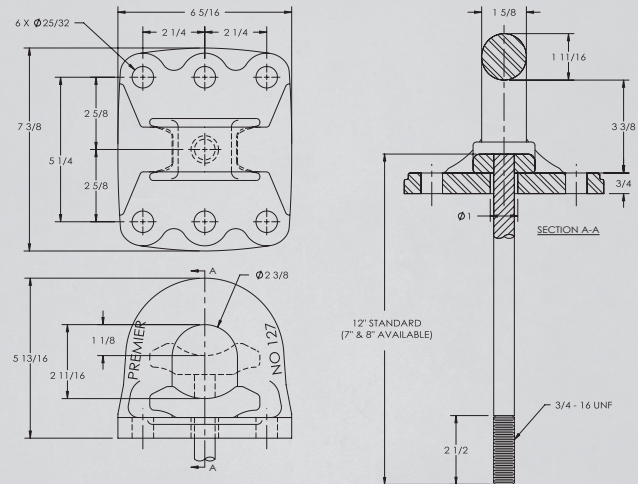
3/4 in. - 16 NF thrd. on all rods



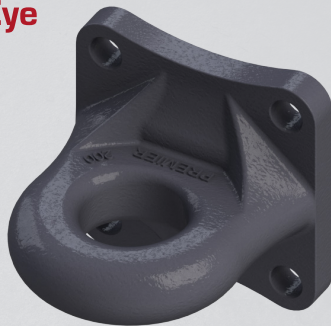
PREMALLOY

SPECIFICATIONS

Maximum Gross Trailer Weight:	100,000 lbs.	(45,359 kg)
Maximum Tongue Weight:	15,000 lbs.	(6,804 kg)
Inside Diameter:	2 3/8 in.	(60 mm)
Unit Weight:	17.4 lbs.	(7.9 kg)



200 Bolt-On Eye



Optional Accessories:

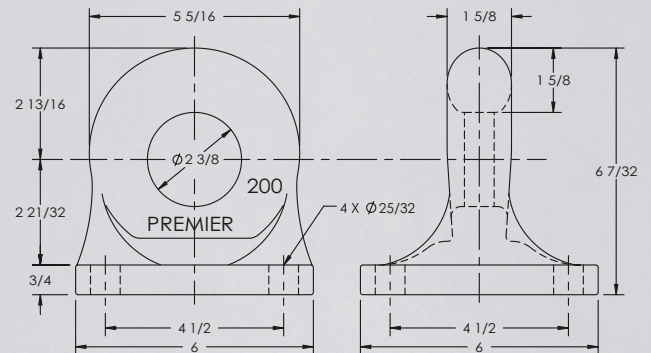
- Bolt Kit 507:

Four - 3/4 in. O.D. x 2 3/4 in. (19 mm x 70 mm) long bolts and locknuts

PART #10000735

SPECIFICATIONS

Maximum Gross Trailer Weight:	100,000 lbs.	(45,359 kg)
Maximum Tongue Weight:	15,000 lbs.	(6,804 kg)
Inside Diameter:	2 3/8 in.	(60 mm)
Unit Weight:	16 lbs.	(7.3 kg)



200L Bolt-On Eye



Optional Accessories:

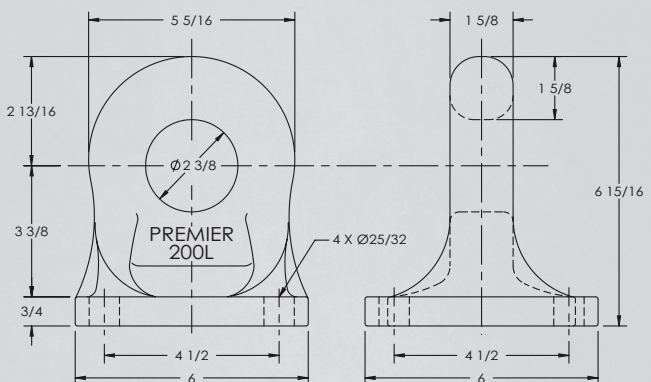
- Bolt Kit 507:

Four - 3/4 in. O.D. x 2 3/4 in. (19 mm x 70 mm) long bolts and locknuts

PART #10000741

SPECIFICATIONS

Maximum Gross Trailer Weight:	100,000 lbs.	(45,359 kg)
Maximum Tongue Weight:	15,000 lbs.	(6,804 kg)
Inside Diameter:	2 3/8 in.	(60 mm)
Unit Weight:	17.5 lbs.	(7.9 kg)



* Model numbers are listed on this page. For a list of 8-digit part numbers used for ordering, see page 58

* Important guidelines for this product are found on page 45



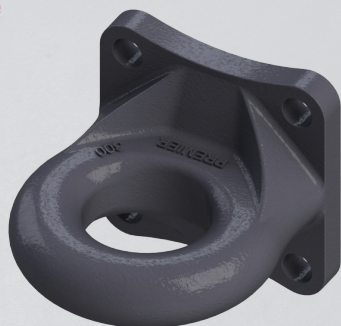
Bolt-On Drawbar Eyes

300 Bolt-On Eye

Optional Accessories:

- Bolt Kit 507:

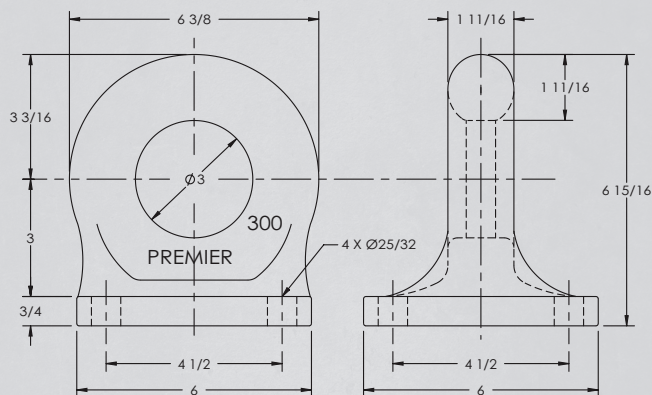
Four - 3/4 in. O.D. x 2 3/4 in.
(19 mm x 70 mm)
long bolts and locknuts



PART #10000790

SPECIFICATIONS

Maximum Gross Trailer Weight:	100,000 lbs. (45,359 kg)
Maximum Tongue Weight:	15,000 lbs. (6,804 kg)
Inside Diameter:	3 in. (76 mm)
Unit Weight:	19.5 lbs. (8.9 kg)



300HD Bolt-On Eye

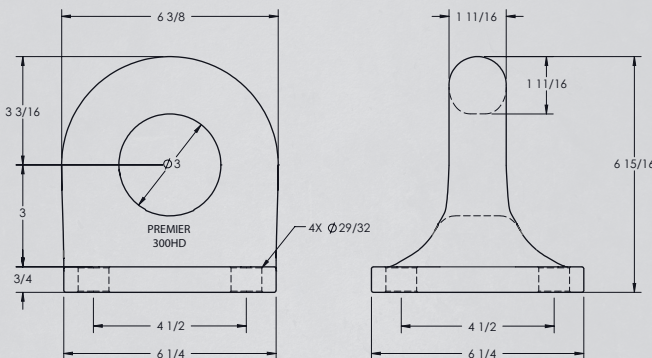
*Maximum Gross Trailer Weight may be increased to 150,000 lbs if 7/8-14 L9 Grade bolts and lock nuts are used



PART #10000791

SPECIFICATIONS

Maximum Gross Trailer Weight:	100,000 lbs.* (45,359 kg)*
Maximum Tongue Weight:	20,000 lbs. (9,072 kg)
Inside Diameter:	3 in. (76 mm)
Unit Weight:	19.4 lbs. (8.8 kg)



Notes:

* Model numbers are listed on this page. For a list of 8-digit part numbers used for ordering, see page 58

* Important guidelines for this product are found on page 45

1-800-255-5387



PREMIER-MFG.COM

SECTION A-A

5/8

3 1/2

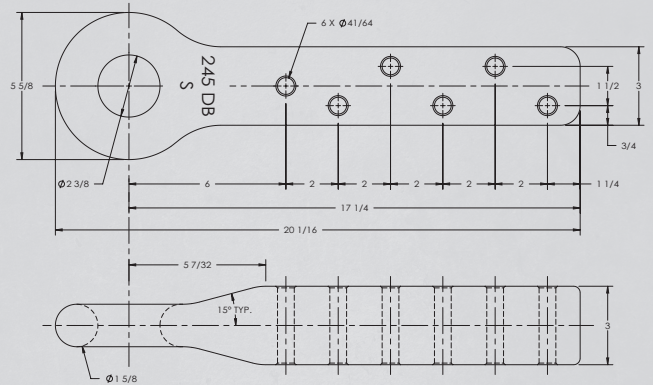
Bolt-On Drawbar Eyes

245DB Bolt-On Eye



PART #10000782

Maximum Gross Trailer Weight: 100,000 lbs. (45,359 kg)
Maximum Tongue Weight: 8,000 lbs. (3,629 kg)
Inside Diameter: 2 3/8 in. (60 mm)
Unit Weight: 41.9 lbs. (19 kg)

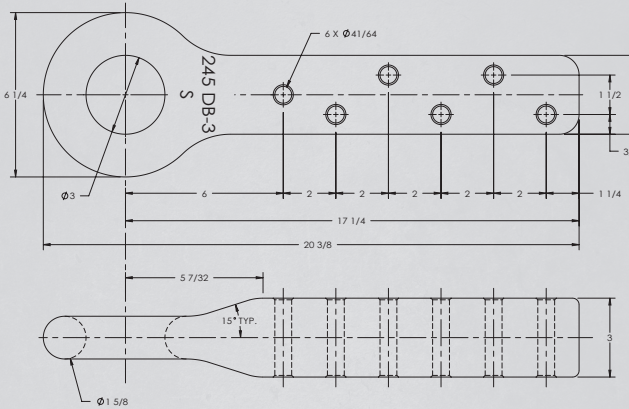


245DB-3 Bolt-On Eye



PART #10000783

Maximum Gross Trailer Weight: 100,000 lbs. (45,359 kg)
Maximum Tongue Weight: 8,000 lbs. (3,629 kg)
Inside Diameter: 3 in. (76 mm)
Unit Weight: 42.8 lbs. (19.4 kg)



Notes:

* Model numbers are listed on this page. For a list of 8-digit part numbers used for ordering, see page 58
 * Important guidelines for this product are found on page 45



1-800-255-5387



PREMIER-MFG.COM

Swivel Drawbar Eyes

207 Swivel Eye



See pages 60-62 for Front End Housings.

Parts Included:

- 208 / *208SPL Retaining Ring

- 416 / *416K Locknut

*For use with 207K model only.

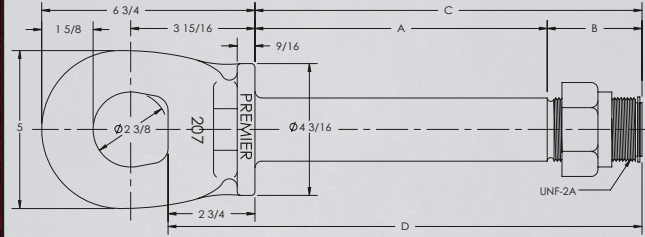
SPECIFICATIONS

Maximum Gross Trailer Weight: 90,000 lbs. (40,823 kg)

Maximum Tongue Weight: 2,500 lbs (1,134 kg)

Inside Diameter: 2 3/8 in. (60 mm)

Unit Weight: See chart



Model	A	B	C	D	Shaft Diameter	Weight
207L	9 1/4 (235 mm)	3 (76 mm)	12 1/4 (311 mm)	15 (381 mm)	2 (51 mm)	25.3 lbs. (11.5 kg)
207S	8 1/8 (206 mm)	3 1/4 (83 mm)	11 3/8 (289 mm)	14 1/8 (359 mm)	2 (51 mm)	24.4 lbs. (11.1 kg)
207SE	10 1/8 (257 mm)	3 (76 mm)	13 1/8 (333 mm)	15 7/8 (403 mm)	2 (51 mm)	26.1 lbs. (11.8 kg)
207K	8 1/8 (206 mm)	3 1/4 (83 mm)	11 3/8 (289 mm)	14 1/8 (359 mm)	2 1/4 (57 mm)	28 lbs. (12.7 kg)

307 Swivel Eye



See pages 60-62 for Front End Housings.

Parts Included:

- 208 / *208SPL Retaining Ring

- 416 / *416K Locknut

*For use with 307K model only.

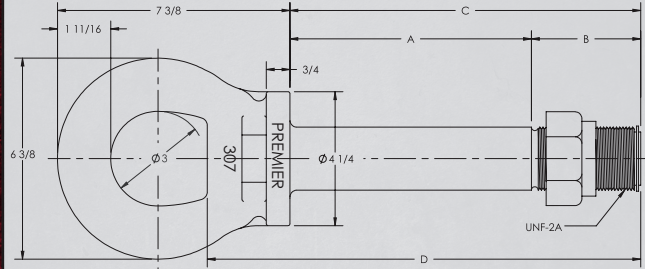
SPECIFICATIONS

Maximum Gross Trailer Weight: 150,000 lbs. (68,039 kg)

Maximum Tongue Weight: 2,500 lbs. (1,134 kg)

Inside Diameter: 3 in. (76 mm)

Unit Weight: See chart



Model	A	B	C	D	Shaft Diameter	Weight
307L	9 1/4 (235 mm)	3 (76 mm)	12 1/4 (311 mm)	15 (381 mm)	2 (51 mm)	29 lbs. (13.2 kg)
307S	8 1/8 (206 mm)	3 1/4 (83 mm)	11 3/8 (289 mm)	14 1/8 (359 mm)	2 (51 mm)	29 lbs. (13.2 kg)
307SE	10 1/8 (257 mm)	3 (76 mm)	13 1/8 (333 mm)	15 7/8 (403 mm)	2 (51 mm)	30 lbs. (13.6 kg)
307K	8 1/8 (206 mm)	3 1/4 (83 mm)	11 3/8 (289 mm)	14 1/8 (359 mm)	2 1/4 (57 mm)	32 lbs. (14.5 kg)

407SE Swivel Eye



*Silver Eagle replacement (#1171)

See pages 60-62 for Front End Housings.

Parts Included:

- 421 Sleeve Nut, nut must be secured by installer (wire tied, etc.)

*Silver Eagle is a registered trademark of Silver Eagle Co.

PART #10000828

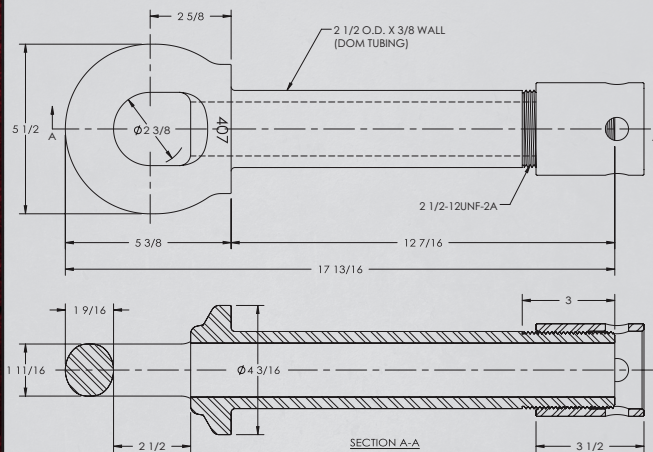
SPECIFICATIONS

Maximum Gross Trailer Weight: 100,000 lbs. (45,359 kg)

Maximum Tongue Weight: 3,900 lbs. (1,769 kg)

Inside Diameter: 2 3/8 in. (60 mm)

Unit Weight: 19.5 lbs. (8.8 kg)



*Model numbers are listed on this page. For a list of 8-digit part numbers used for ordering, see page 58

*Important guidelines for this product are found on page 45



Swivel Drawbar Eyes

405 Swivel Eye

See pages 60-62 for Front End Housings.

Parts Included:

- 208 Retaining Ring (405L & 405S)
- 375 Bolt
- 375A Locknut
- 400 Shoe
- 416 Locknut (405L & 405S)
- 422 Sleeve Nut (405SE)
- 525 Jam Nut
- Pushrod (see below)



Optional Accessories

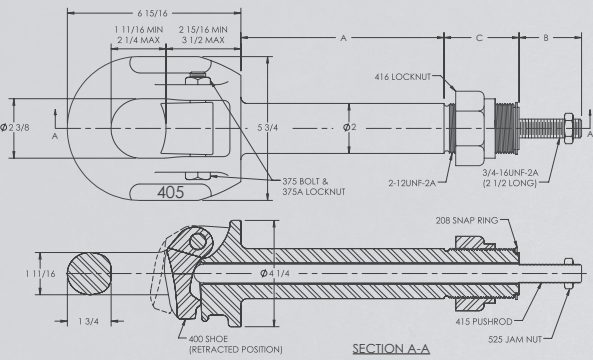
- 525L Jam Nut, left-hand thread
- 47 Series Couplers
- 281J Jam Nut
- 500 Mechanical Slack Adjuster
- 281 Air Chamber (Type 24)
- 282 Air Chamber (Type 30)

SPECIFICATIONS

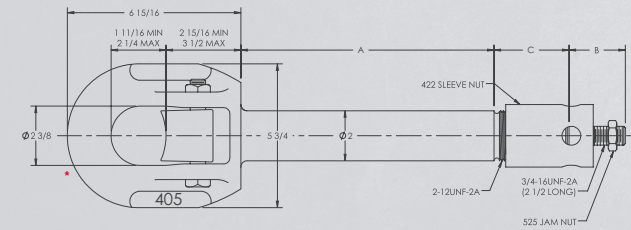
Maximum Gross Trailer Weight:	90,000 lbs.	(40,823 kg)
Maximum Tongue Weight:	3,700 lbs.	(1,678 kg)
Inside Diameter:	See drawing	
Unit Weight:	See chart	

Model	A	B	C	Weight
405L/LL	9 1/4 in. (235 mm)	3 1/8 in. (79 mm)	3 in. (76 mm)	27.8 lbs. (12.6 kg)
405S/SL	8 1/8 in. (206 mm)	2 1/4 in. (57 mm)	3 1/4 in. (83 mm)	27.1 lbs. (12.3 kg)
405SE*	10 1/8 in. (257 mm)	2 1/4 in. (57 mm)	3 in. (76 mm)	28.5 lbs. (12.9 kg)

405L & 405S with 416 Locknut & 208 Snap Ring:



*405SE With 422 Sleeve Nut:



MODEL	A	B	C	WEIGHT
405L	9 1/4" (235 mm)	3 1/8" (79 mm)	3" (76 mm)	27.8 lbs. (12.6 kg)
405S	8 1/8" (206 mm)	2 1/4" (57 mm)	3 1/4" (83 mm)	27.1 lbs. (12.3 kg)
405SE*	10 1/8" (257 mm)	2 1/4" (57 mm)	3" (76 mm)	28.5 lbs. (12.9 kg)

405 Pushrod Options

Standard Pushrod Lengths:

- **405L:** 415A Pushrod - 17 1/4 in. (438 mm), right-hand thread
- **405LL:** 405L with left-hand threads on pushrod
- **405S:** 415 Pushrod - 15 1/2 in. (394 mm), right-hand thread
- **405SE*:** 415A Pushrod - 17 1/4 in. (438 mm), right-hand thread
- **405SL:** 405S with left-hand threads on pushrod

*Discontinued

Optional Left-Hand Threaded Pushrods:

- **415L:** 15 1/2 in. (394 mm), left-hand thread
- **415AL:** 17 1/4 in. (438 mm), left-hand thread

Notes:

* Model numbers are listed on this page. For a list of 8-digit part numbers used for ordering, see page 58

* Important guidelines for this product are found on page 45



Part Number Reference Guide

BOLT-ON DRAWBAR EYES

MODEL #	PART #	DESCRIPTION
127F	10000729	Bolt-On Drawbar Eye
127-7	10000727	Bolt-On Drawbar Eye
127-8	10000728	Bolt-On Drawbar Eye
127-12	10000726	Bolt-On Drawbar Eye
200	10000735	Bolt-On Drawbar Eye
200L	10000741	Bolt-On Drawbar Eye
245DB	10000782	Bolt-On Drawbar Eye
245DB-3	10000783	Bolt-On Drawbar Eye
300	10000790	Bolt-On Drawbar Eye
300HD	10000791	Bolt-On Drawbar Eye

SWIVEL DRAWBAR EYES

MODEL #	PART #	DESCRIPTION
207K	10000750	Swivel Drawbar Eye
207L	10000756	Swivel Drawbar Eye
207S	10000763	Swivel Drawbar Eye
207SE	10000764	Swivel Drawbar Eye
307K	10000803	Swivel Drawbar Eye
307L	10000805	Swivel Drawbar Eye
307S	10000804	Swivel Drawbar Eye
307SE	10000806	Swivel Drawbar Eye
405L	10004770	Swivel Drawbar Eye
405LL	10004771	Swivel Drawbar Eye
405S	10004772	Swivel Drawbar Eye
405SL	10004774	Swivel Drawbar Eye
407SE	10000828	Swivel Drawbar Eye

WELD-ON DRAWBAR EYES

MODEL #	PART #	DESCRIPTION
108	10000706	Weld-On Drawbar Eye
110-7	10000710	Weld-On Drawbar Eye
110-8	10000711	Weld-On Drawbar Eye
110-12	10000709	Weld-On Drawbar Eye
123-7	10000722	Weld-On Drawbar Eye
123-8	10000723	Weld-On Drawbar Eye
123-12	10000721	Weld-On Drawbar Eye
2	10000732	Weld-On Drawbar Eye
20	10000734	Weld-On Drawbar Eye
205	10000746	Weld-On Drawbar Eye
21	10000772	Weld-On Drawbar Eye
22	10000774	Weld-On Drawbar Eye
23	10000777	Weld-On Drawbar Eye
3	10000788	Weld-On Drawbar Eye
304	10000794	Weld-On Drawbar Eye

WELD-ON DRAWBAR EYES

MODEL #	PART #	DESCRIPTION
305	10000797	Weld-On Drawbar Eye
309	10000812	Weld-On Drawbar Eye
4	10000815	Weld-On Drawbar Eye
5	10000836	Weld-On Drawbar Eye
6	10000839	Weld-On Drawbar Eye
6A	10000841	Weld-On Drawbar Eye
8	10000848	Weld-On Drawbar Eye

DRAWBAR EYES REPLACEMENT

MODEL #	PART #	DESCRIPTION
113	10000716	Pushrod
113A	10000717	Pushrod
113B	10000718	Pushrod
208	10001106	Retaining Ring
208SPL	10001107	Retaining Ring
375	10000346	Bolt
375A	10000347	Locknut
400	10000009	Shoe
411	10000010	Shoe
415	10004775	Pushrod
415A	10004776	Pushrod
415AL	10004777	Pushrod
415L	10004778	Pushrod
416	10001181	Locknut
416K	10001182	Locknut
421	10000012	Sleeve Nut
422	10000013	Sleeve Nut
525	10000173	Jam Nut

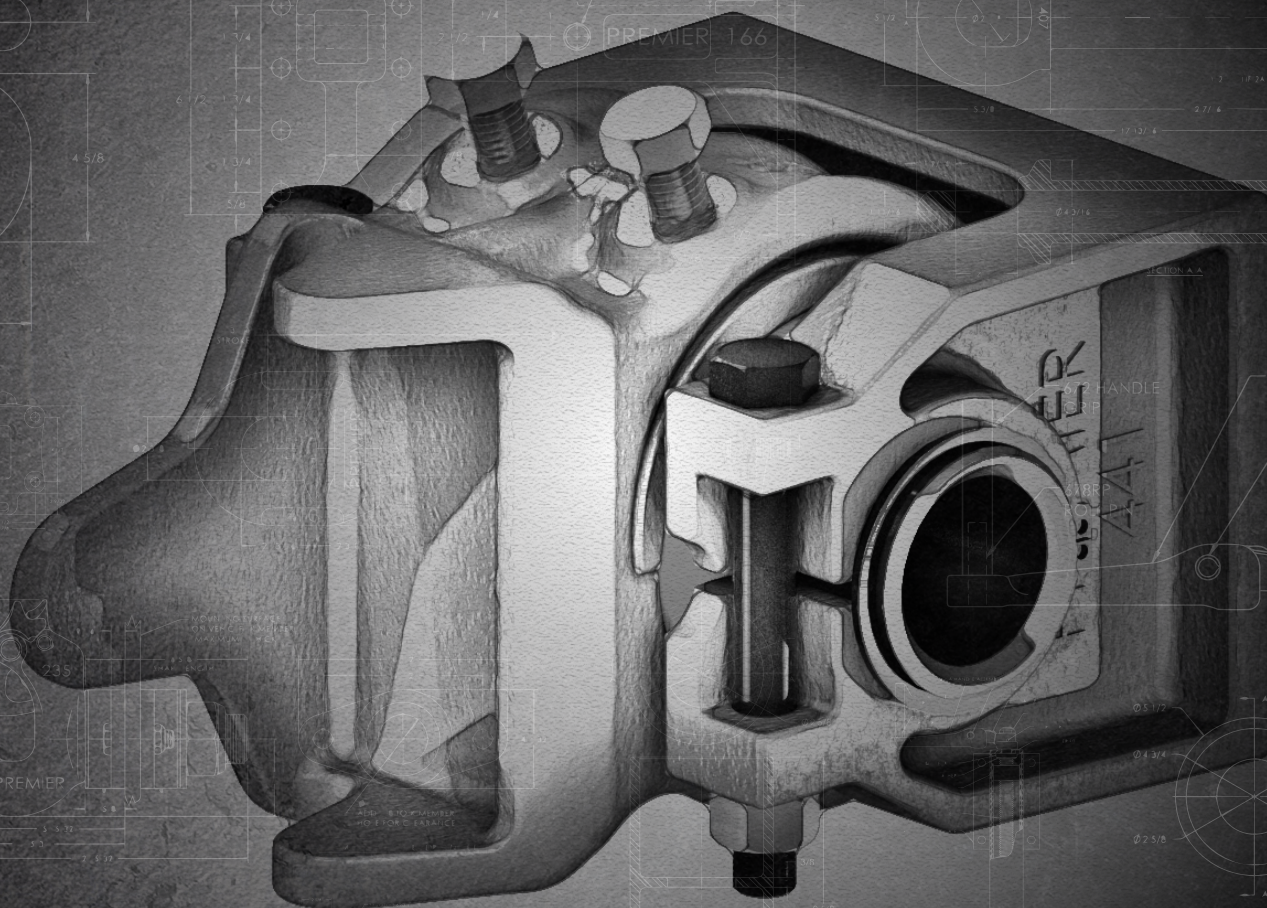
Use the 'search' function on the website to easily find all new and legacy part numbers.





PREMIER

MANUFACTURING



FRONT END HOUSINGS & HINGE ASSEMBLIES

IMPORTANT GUIDELINES THAT APPLY TO ALL PREMIER FRONT END ASSEMBLIES & HINGE ASSEMBLIES

- Never attempt weld repair of damaged or worn hinge components
- Clean and inspect hinge assemblies for damage or excessive wear before each and every use
- All weld attachments should be performed by a certified welder skilled in structural welding
- The mounting structure the hinges are welded to must be of sufficient strength to withstand load ratings of hinges
- The mounting structure the hinges are welded to must be of sufficient strength to withstand load ratings of hinges
- Do not bind-up (Jackknife) any application as stresses can cause damage to products or components, resulting in failure and detachment of the trailer while in use

1-800-255-5387



PREMIER-MFG.COM

Front End Housings

340S/340SA Front End Housing

Accepts 3 in. (76 mm) standard channel or square tubing.

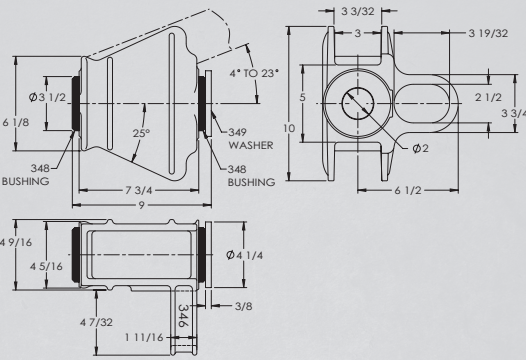
Parts Included:

- 346 Housing
- 349 Washer
- 348 or *348A Bushings

*340SA comes with 348A Poly Bushings



PART #10000851/10000853



SPECIFICATIONS

Bushing Replacement: 348 (Rubber) or 348A (Poly)
Designed For Use With: 207S, 307S or 405S
 Swivel Drawbar Eyes Only

Inside Diameter: 2 in. (51 mm)
Outside Diameter: 3 1/2 in. (89 mm)
Length: 3 1/2 in. (89 mm)
Unit Weight: 26.3 lbs. (11.9 kg)

640S/640SA Front End Housing

Accepts 2 1/2 in. (64 mm) round tubing.

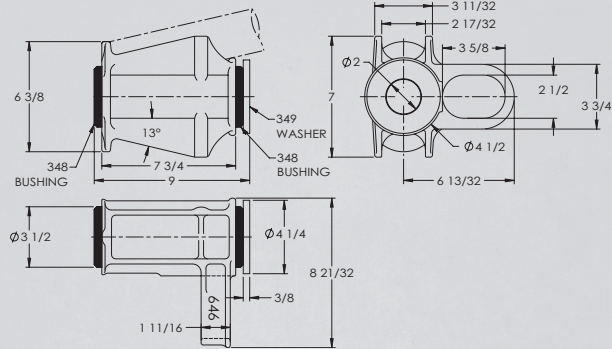
Parts Included:

- 646 Housing
- 349 Washer
- 348 or *348A Bushings

*640SA comes with 348A Poly Bushings



PART #10000889/10000891



SPECIFICATIONS

Bushing Replacement: 348 (Rubber) or 348A (Poly)
Designed For Use With: 207S, 307S or 405S
 Swivel Drawbar Eyes Only

Inside Diameter: 2 in. (51 mm)
Outside Diameter: 3 1/2 in. (89 mm)
Length: 3 1/2 in. (89 mm)
Unit Weight: 18.7 lbs. (8.5 kg)

435/435A Front End Housing

Accepts 2 in. x 4 in. (51 mm x 102 mm) rectangular tubing or standard channel.

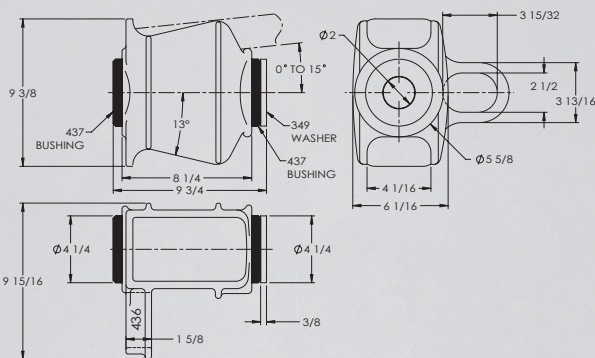
Parts Included:

- 436 Housing
- 349 Washer
- 437 or *437A Bushings

*435A comes with 437A Poly Bushings



PART #10000861/10000863



SPECIFICATIONS

Bushing Replacement: 437 (Rubber) or 437A (Poly)
Designed For Use With: 207S, 307S or 405S
 Swivel Drawbar Eyes Only

Inside Diameter: 2 in. (51 mm)
Outside Diameter: 4 1/4 in. (108 mm)
Length: 4 1/2 in. (114 mm)
Unit Weight: 36.7 lbs. (16.6 kg)

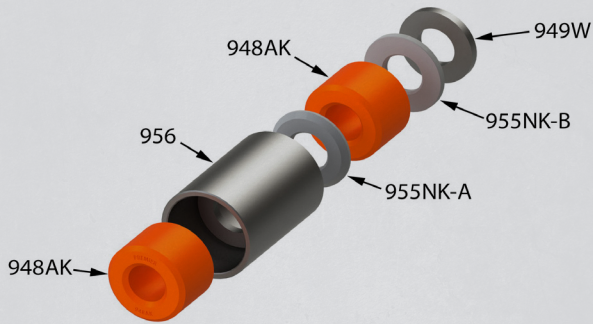
* Model numbers are listed on this page. For a list of 8-digit part numbers used for ordering, see page 67

* Important guidelines for this product are found on page 59



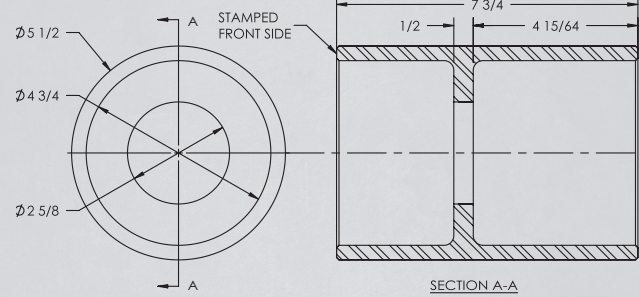
Front End Housings

956BK HOUSING SPECIFICATIONS



Patent No. 9,441,696

PART #10000900



SPECIFICATIONS

Designed For Use With: 307K Drawbar Eyes Only

Bushing Option: 948AK Poly Only

Inside Diameter: 2 1/4 in. (57 mm)
 Outside Diameter: 4 3/4 in. (121 mm)
 Length: 3 1/2 in. (89 mm)
 Unit Weight: 21 lbs (9.5kg)

Ordering Information:

956BK: 956 Housing, 948AK Poly Bushings, 955NK-A Internal Polymer Washer, 955NK-B External Polymer Washer, 949W External Washer

307BK: 956BK and 307K Drawbar Eye. This is a **complete kit** that includes the 307K drawbar eye and the 956BK front end housing.

956BK-RK: 948AK Poly Bushings (2), 955NK-A Internal Polymer Washer, 955NK-B External Polymer Washer, 949W External Washer

Notes:

* Model numbers are listed on this page. For a list of 8-digit part numbers used for ordering, see page 67
 * Important guidelines for this product are found on page 59



Hinge Assemblies

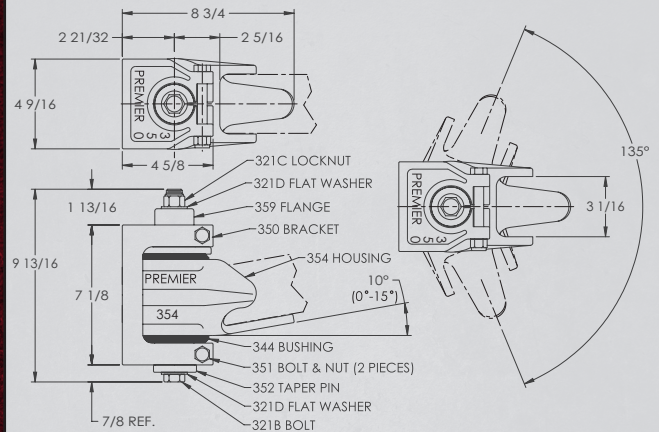
320 / 320A Hinge Assembly



Sold as pair,
2 hinges.

Accepts 3 in. (76 mm) standard channel or square tubing.
344 Rubber Bushings standard, 344A Poly optional (320A)

PART #10000941/10000944



SPECIFICATIONS

Max. Gross Trailer Weight (pair): 100,000 lbs. (45,359 kg)
Unit Weight (pair): 51.2 lbs. (23.2 kg)

Bushing Replacement: 344 (Rubber) or 344A (Poly)
Outside Diameter: 3 1/2 in. (89 mm)
Length: 4 1/2 in. (114 mm)



Each Hinge Includes:

321B: Bolt	351: Bolt & Nut (2)
321C: Locknut	*352: Taper Pin
321D: Flat Washer (2)	354: Housing
344: Bushing	359: Flange
350: Bracket	

*352 Taper Pin includes the following parts: 321B, 321C, 321D (2)

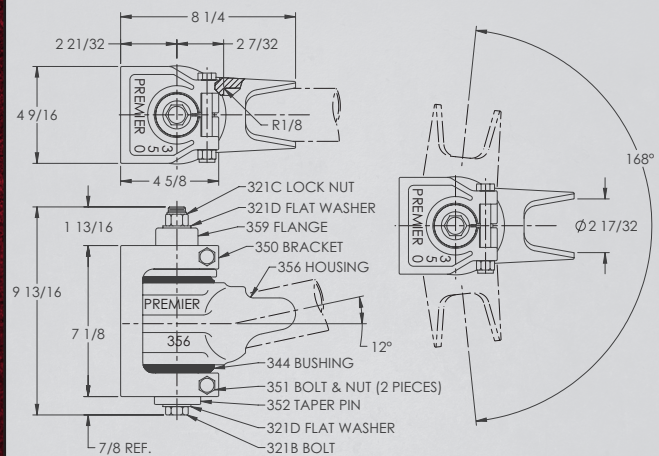
330 / 330A Hinge Assembly



Sold as pair,
2 hinges.

Accepts 2 1/2 in. (64 mm) round tubing.
344 Rubber Bushings standard, 344A Poly optional (330A)

PART #10000948/10000950



SPECIFICATIONS

Max. Gross Trailer Weight (pair): 100,000 lbs. (45,359 kg)
Unit Weight (pair): 50.5 lbs. (22.9 kg)

Bushing Replacement: 344 (Rubber) or 344A (Poly)
Outside Diameter: 3 1/2 in. (89 mm)
Length: 4 1/2 in. (114 mm)



Each Hinge Includes:

321B: Bolt	351: Bolt & Nut (2)
321C: Locknut	*352: Taper Pin
321D: Flat Washer (2)	356: Housing
344: Bushing	359: Flange
350: Bracket	

*352 Taper Pin includes the following parts: 321B, 321C, 321D (2)

* Model numbers are listed on this page. For a list of 8-digit part numbers used for ordering, see page 67

* Important guidelines for this product are found on page 59

Hinge Assemblies

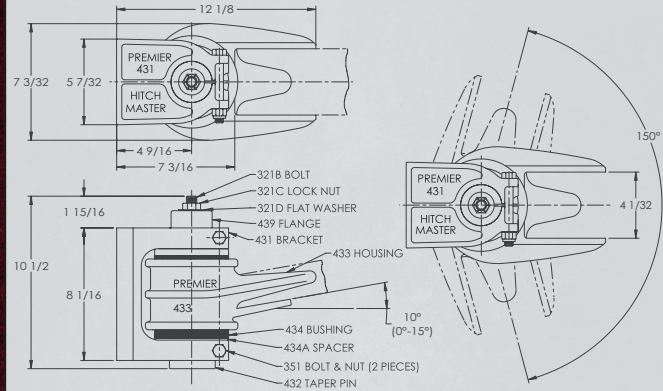
430 / 430A Hinge Assembly

Sold as pair,
2 hinges.



Accepts 2 in. x 4 in. (51 mm x 102 mm) rectangular tubing or channel.
434 Rubber Bushings standard, 434B Poly optional (430A)

PART #10000970/10000973



SPECIFICATIONS

Max. Gross Trailer Weight (pair): 150,000 lbs. (68,039 kg)
Unit Weight (pair): 85 lbs. (38.6 kg)

Bushing Replacement: 434 (Rubber) or 434B (Poly)
Outside Diameter: 4 1/4 in. (108 mm)
Length: 5 in. (127 mm)



Each Hinge Includes:

321B: Bolt	*432: Taper Pin
321C: Locknut	433: Housing
321D: Flat Washer (2)	434: Bushing
351: Bolt & Nut (2)	434A: Spacer
431: Bracket	439: Flange

*432 Pin includes the following parts: 321B, 321C, 321D (2)

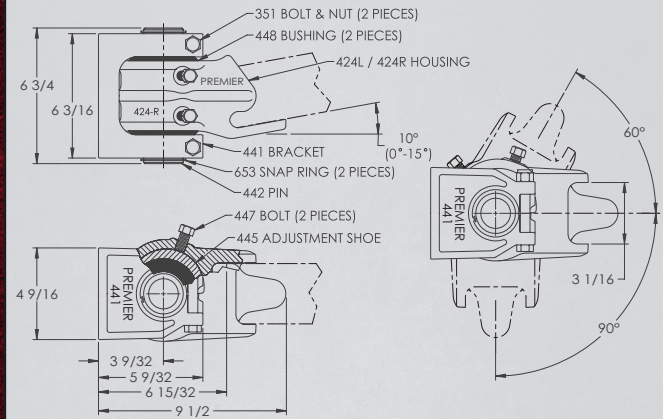
440 / 440A Hinge Assembly

Sold as pair or
separately



Accepts 3 in. (76 mm) standard channel or square tubing.
448 Rubber Bushings standard, 448A Poly optional (440A)

PART #10000986/10000988



SPECIFICATIONS

Max. Gross Trailer Weight (pair): 100,000 lbs. (45,359 kg)
Unit Weight (pair): 53.2 lbs. (24.1 kg)

Bushing Replacement: 448 (Rubber) or 448A (Poly)
Inside Diameter: 2 in. (51 mm)
Outside Diameter: 3 1/2 in. (89 mm)
Length: 1 3/4 in. (44 mm)



*448 Bushing is 2 pieces.

Each Hinge Includes:

351: Bolt (2) & Nut (2)	445: Adjustable Shoe
424L/424R: Housing	447: Bolt (2)
441: Bracket	448: Bushing (2 pieces)
*442: Pin	653: Retaining Ring (2)

*442 Pin includes the following parts: 653 (2)

*Model numbers are listed on this page. For a list of 8-digit part numbers used for ordering, see page 67

*Important guidelines for this product are found on page 59



Hinge Assemblies

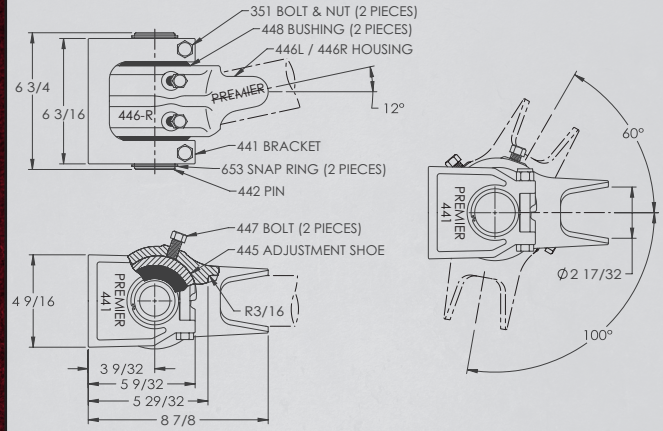
450/450A Hinge Assembly

Sold as pair or separately



Accepts 2 1/2 in. (64 mm) round tubing.
448 Rubber Bushings standard, 448A Poly optional (450A)

PART #10001005/10001007



SPECIFICATIONS

Max. Gross Trailer Weight (pair): 100,000 lbs. (45,359 kg)
Unit Weight (pair): 46.2 lbs. (21 kg)

Bushing Replacement: 448 (Rubber) or 448A (Poly)
Inside Diameter: 2 in. (51 mm)
Outside Diameter: 3 1/2 in. (89 mm)
Length: 1 3/4 in. (44 mm)



*448 Bushing is 2 pieces.

Each Hinge Includes:

351: Bolt & Nut (2) 446L/446R: Housing
441: Bracket 447: Bolt (2)
*442: Pin 448: Bushing (2 pieces)
445: Adjustable Shoe 653: Retaining Ring (2)

*442 Pin includes the following parts: 653 (2)

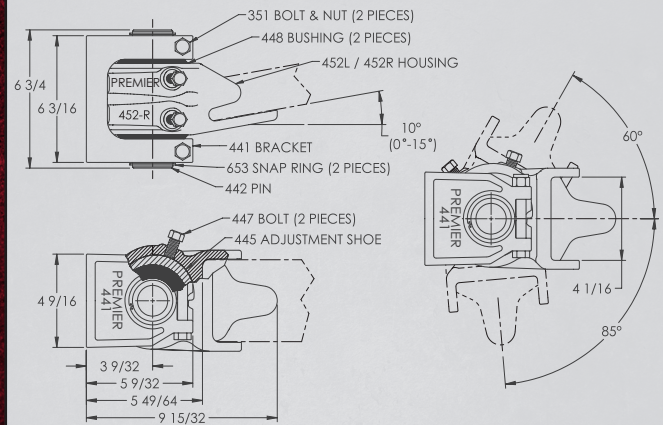
455/455A Hinge Assembly

Sold as pair or separately



Accepts 2 in. x 4 in. (51 mm x 102 mm) rectangular tubing or channel.
448 Rubber Bushings standard, 448A Poly optional (455A)

PART #10001016/10001017



SPECIFICATIONS

Max. Gross Trailer Weight (pair): 100,000 lbs. (45,359 kg)
Unit Weight (pair): 50 lbs. (22.7 kg)

Bushing Replacement: 448 (Rubber) or 448A (Poly)
Inside Diameter: 2 in. (51 mm)
Outside Diameter: 3 1/2 in. (89 mm)
Length: 1 3/4 in. (44 mm)



*448 Bushing is 2 pieces.

Each Hinge Includes:

351: Bolt & Nut (2) 447: Bolt (2)
441: Bracket 448: Bushing (2 pieces)
*442: Pin 452L/452R: Housing
445: Adjustable Shoe 653: Retaining Ring (2)

*442 Pin includes the following parts: 653 (2)

* Model numbers are listed on this page. For a list of 8-digit part numbers used for ordering, see page 67

* Important guidelines for this product are found on page 59

Hinge Assemblies

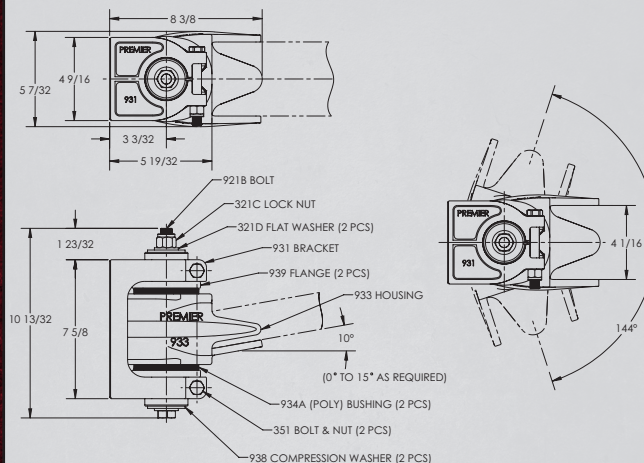
930A Hinge Assembly

Sold as pair,
2 hinges.



Accepts 2 in. x 4 in. (51 mm x 102 mm) rectangular tubing.
934A Poly Bushings standard

PART #10001024



SPECIFICATIONS

Max. Gross Trailer Weight (pair): 150,000 lbs. (68,039 kg)
Unit Weight (pair): 59.2 lbs. (26.8 kg)

Each Hinge Includes:

- | | |
|-----------------------|---------------------------|
| 321C: Locknut | 932: Pin |
| 321D: Flat Washer (2) | 933: Housing |
| 351: Bolt & Nut (2) | 934A: Bushing (2) |
| 921B: Bolt | 938: Elastomer-Washer (2) |
| 931: Bracket | 939: Flange |

Bushing Replacement: 934A (Poly)
Outside Diameter: Tapered 4 1/4 in. (108 mm)
Inside Diameter: 1 7/8 in. (48 mm)
Length: 2 1/4 in. (57 mm)



*934A Bushing is 2 pieces

Notes:

* Model numbers are listed on this page. For a list of 8-digit part numbers used for ordering, see page 67
* Important guidelines for this product are found on page 59



Part Number Reference Guide

FRONT END HOUSING ASSEMBLIES

MODEL #	PART #	DESCRIPTION
307BK	10000802	Front End Assembly
340S	10000851	Front End Assembly
340SA	10000853	Front End Assembly
435	10000861	Front End Assembly
435A	10000863	Front End Assembly
536A	10000871	Front End Assembly
536B	10000873	Front End Assembly
536BK	10000874	Front End Assembly
546A	10000879	Front End Assembly
546B	10000881	Front End Assembly
546R	10000882	Front End Assembly
556A	10000886	Front End Assembly
556B	10000887	Front End Assembly
556R	10000888	Front End Assembly
640S	10000889	Front End Assembly
640SA	10000891	Front End Assembly
956BK	10000900	Front End Assembly

FRONT END HOUSING REPLACEMENT

MODEL #	PART #	DESCRIPTION
346	10000854	Housing
348	10000857	Bushings
348A	10000856	Bushings
349	10000858	Washer
349SE	10000859	Washer
349SEK	10000860	Washer
407W	10000850	Washer
436	10000864	Housing
437	10000866	Bushings
437A	10000867	Bushings
437AK	10000868	Poly Bushings
536	10000870	Housing
546	10000878	Housing
556	10000885	Housing
646	10000892	Housing
948AK	10000040	Poly Bushings
949W	10000894	External Washer
955NK-A	10000895	Internal Polymer Washer
955NK-B	10000896	External Polymer Washer
956BK-RK	10000901	Repair Kit
P205	10000939	Rubber Bushings
P205A	10000938	Poly Bushings
R205	10000940	Rubber Bushings

HINGE ASSEMBLIES

MODEL #	PART #	DESCRIPTION
320	10000941	Hinge Assembly
320A	10000944	Hinge Assembly
330	10000948	Hinge Assembly
330A	10000950	Hinge Assembly
430	10000970	Hinge Assembly
430A	10000973	Hinge Assembly
440	10000986	Hinge Assembly
440A	10000988	Hinge Assembly
450	10001005	Hinge Assembly
450A	10001007	Hinge Assembly
455	10001016	Hinge Assembly
455A	10001017	Hinge Assembly
930A	10001024	Hinge Assembly

HINGE ASSEMBLY REPLACEMENT

MODEL #	PART #	DESCRIPTION
321D	10000947	Flat Washer
344	10000951	Rubber Bushing
344A	10000952	Poly Bushing
350	10000953	Bracket
352	10000957	Taper Pin
356	10000962	Housing
359	10000964	Flange
424L	10000966	Left Housing
424R	10000968	Right Housing
431	10000974	Bracket
432	10000976	Taper Pin
433	10000979	Housing
434	10000981	Rubber Bushing
434A	10000982	Spacer
434B	10000983	Poly Bushing
439	10000984	Flange
441	10000994	Bracket
442	10004780	Pin
445	10000997	Adjustable Shoe
446L	10000998	Left Housing
446R	10001000	Right Housing
448	10001003	Rubber Bushing
448A	10001004	Poly Bushing
452L	10001012	Left Housing
452R	10001014	Right Housing
931	10001027	Bracket
933	10001030	Housing
934A	10001032	Poly Bushing
938	10001033	Elastomer Washer
938	10001033	Elastomer Washer
939	10001035	Flange

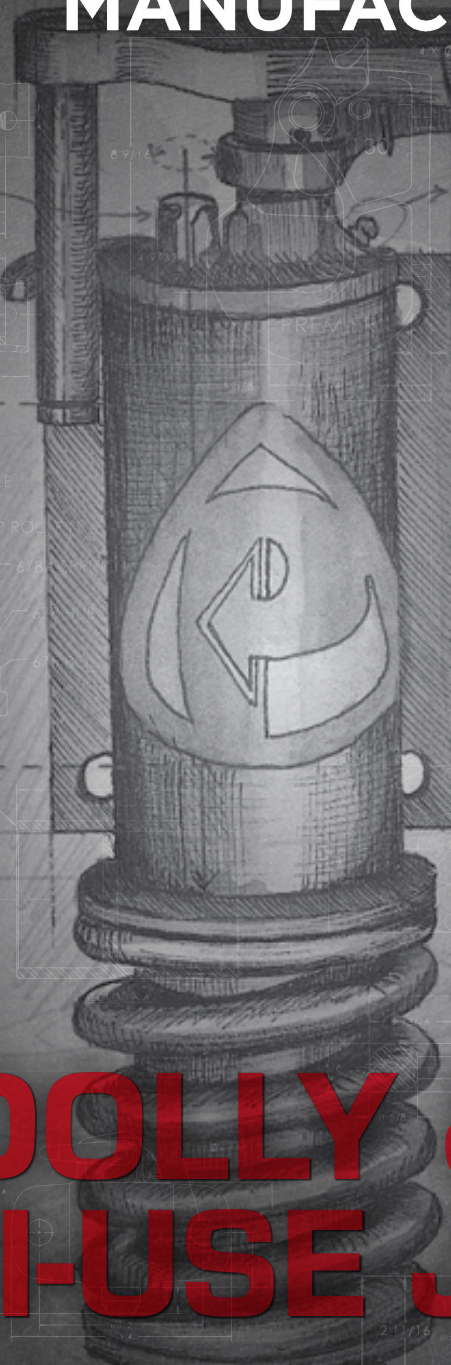
Use the 'search' function on the website to easily find all new and legacy part numbers.





PREMIER

MANUFACTURING



DOLLY & MULTI-USE JACKS

IMPORTANT GUIDELINES THAT APPLY TO ALL PREMIER JACKS

- Never operate jack on uneven ground or where there is a chance of the lifted load shifting
- Never place more of a load on jack or caster which is greater than the lowest rated capacity
- Lubricate jack and check jack and caster assembly for damage or worn components frequently
- Do not bind-up (Jackknife) any application as stresses can cause damage to products or components, resulting in failure and detachment of the trailer while in use

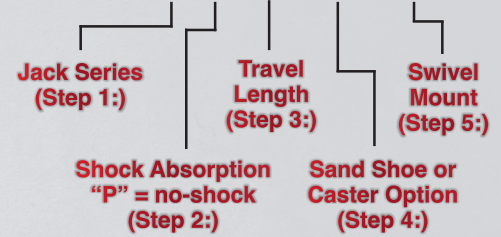
Jack Selection Guide

Determining and Ordering Your Premier Jack:

Follow the five steps below to assist you in constructing a jack part number.

The example part number is for a "600" series jack, with no shock absorption "P", "15" inches of travel, with a "726" caster mounting plate and a "688" swivel mount. If you should have any questions in regard to ordering or installing a Premier jack, please call our knowledgeable sales staff for assistance.

Example Order: **600 P - 15 - 726 - 688**



Step 1: Determine The Jack Best Suited to Your Needs

Review the features of Premier's 700 Standard Jack, 600 Jiffy Jack and 800 Utility Jack, to determine which series best suits your application.

Following the above example, **Step 1 = 600.**



Step 2: Shock Absorption

Premier's 600 Jiffy Jack and 700 Standard Jack both offer an optional shock system that reduces the potential for jack damage due to sudden load drops. If this feature is *not* desired, indicate a "P" after the jack model number (ie: **600P**) to decline the shock, or leave off the "P" (ie: **600**) to include the shock feature.

Following the above example, the jack will not have a spring cushion. **Step 2 = 600P.**



Step 3: Travel Length

The 600 Jiffy Jack is offered in two travel lengths, 12" or 15" (inches). The 700 and 800 jacks are available with 15" of travel.

Following the above example, the jack will have 15" of travel. **Step 3 = 600P-15.**

Step 4: Select a Base Suited to Your Needs

Decide if the jack will be used with a sand shoe - or - a caster.

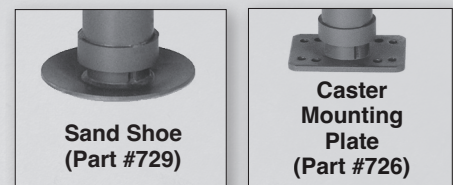
If a sand shoe is preferred, order part #729.

If a caster is going to be used, order the caster mounting plate, part #726.

Following the above example, the jack will be used with a caster. **Step 4 = 600P-15-726.**

Please note: If you choose a caster mounting plate, the caster options are shown on page 72.

The caster will need to be ordered as a separate line item.

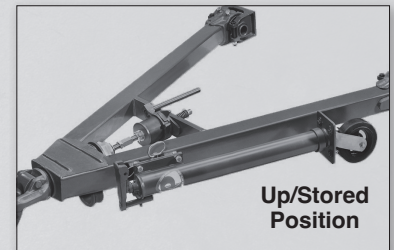
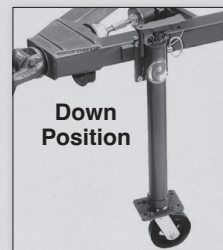


Step 5: Swivel Mount Option

This step is only necessary if a swivel mount is desired.

Swivel mount options are shown on page 71.

Following the above example, the jack will have a 688 swivel mount. **Step 5 = 600P-15-726-688.**



* Model numbers are listed on this page. For a list of 8-digit part numbers used for ordering, see page 74

* Important guidelines for this product are found on page 68

600 Jiffy Jack



Model 600-15-726

Premier's 600 Series Jiffy Jacks are time savers by allowing the jack to be lowered to the ground or raised into the retracted position without having to crank the handle, see example below. Premier pioneered this design with speed of use as the focal point. The result is a jack that simply outperforms others in its class. The 600 series jiffy is the jack of choice for many fleets around the world.

- "Jiffy Quick Release" for instant, one-lever lowering and retracting of the leg without cranking.
- Quick action, spring-activated, folding handle that seats in a positive position for travel. This keeps the handle short, compact, and out of the way.
- DOM inner and outer tubes provide a strong precision fit, reducing penetration of outside contaminants.
- Oil cup for convenient lubrication of power screw.
- Custom mounting options allow mounting plate to be factory welded anywhere on the outside tube, or shipped loose for customer installation (available on most models).

Capacity: 5,000 lbs. (2,268 kg) operational, 10,000 lbs. (4,536 kg) static.
Refer to caster chart for caster limitations, page 72.

Models Available:

See Jack Selection Guide on page 69 for additional options

Series	Travel	Base	Overall Height*
600	12 in. (305 mm)	726, 729	26 1/16 in. (662 mm)
600P	12 in. (305 mm)	726,729	26 1/16 in. (662 mm)
600	15 in. (381 mm)	726, 729	29 5/8 in. (752 mm)
600P	15 in. (381 mm)	726,729	29 5/8 in. (752 mm)

*[Retracted, Includes handle.]

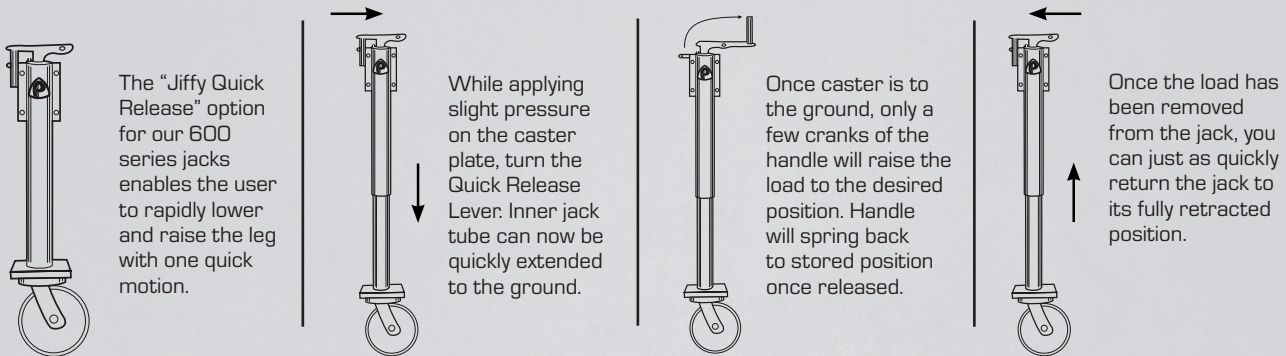
Caster Options: See Caster Chart on page 72.

Optional Accessories:

688 Swivel Mount: Helps lift jack up and out of harm's way when traveling (see page 71).

Shock Absorption Assembly: Reduces potential for jack damage when sudden drop-type loads are applied.

Jiffy Quick Release

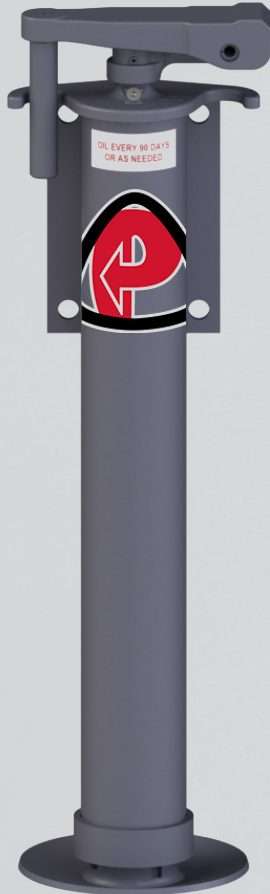


* Model numbers are listed on this page. For a list of 8-digit part numbers used for ordering, see page 74

* Important guidelines for this product are found on page 68



700 Standard Jack



Model 700P-15-729

The Premier 700 Standard Jack has been engineered and built to the same stringent specifications as our 600 Jiffy Jack. Designed for long life with minimal maintenance, the 700 is easily adapted to nearly any application.

- Quick action, spring-activated, folding handle that seats in a positive position for travel. This keeps the handle short, compact, and out of the way.
- DOM inner and outer tubes provide a strong precision fit, reducing penetration of outside contaminants.
- Tube support collar on outside tube for added strength.
- Oil cup for convenient lubrication of main bearing and power screw.
- Custom mounting options allow mounting plate to be factory welded anywhere on the outside tube, or shipped loose for customer installation.

Capacity: 5,000 lbs. (2,268 kg) operational, 10,000 lbs. (4,536 kg) static. Refer to caster chart for caster limitations, page 72.

Models Available:

See Jack Selection Guide on page 69 for additional options

Series	Travel	Base	Overall Height*
700	15 in. (381 mm)	726, 729	23 5/16 in. (592 mm)
700P	15 in. (381 mm)	726, 729	23 5/16 in. (592 mm)

*(Retracted, Includes handle.)

Caster Options: See Caster Chart on page 72.

Optional Accessories:

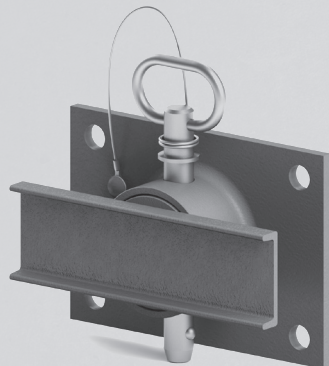
688 Swivel Mount: Helps lift jack up and out of harm's way when traveling (see below).

Shock Absorption Assembly: Reduces potential for jack damage when sudden drop-type loads are applied.

Swivel Mount Options

688, 688HD & 688US Swivel Mounts:

Swivel Mounts allow for the jack to be rotated up, out of harm's way, as shown below.



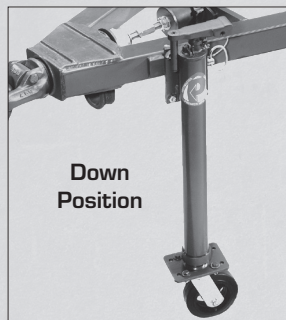
688: Swivel Mount Assembly
689B: Pin & Cable Assembly

688: May be ordered separately or in place of standard mounting plate on any Premier Jack.

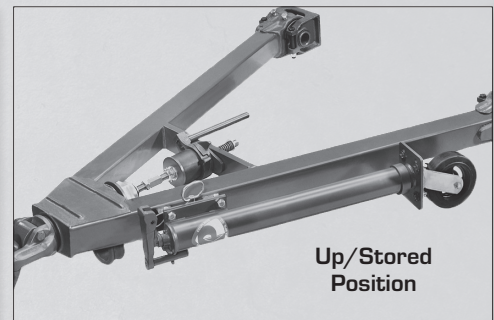
(Bolt hole centers: 3 3/8 in. (86 mm) x 5 1/4 in. (133 mm) x 17/32 in. (13 mm) I.D.)

688HD: Same general design as our 688 above, but in a heavy-duty version.

688US: This is our Universal version of the 688. The 688US easily adapts to existing jacks that already have the standard mounting plate installed.



Down Position



Up/Stored Position

688CT: Inside tube and weld-on channel mount

* Model numbers are listed on this page. For a list of 8-digit part numbers used for ordering, see page 74

* Important guidelines for this product are found on page 68



800 Utility Jack



Model 800P-15-829

Premier's 800 Utility Jack was designed to accommodate light to medium duty applications.

- Quick action, spring-activated, folding handle that seats in a positive position for travel. This keeps the handle short, compact, and out of the way.
- Strong, precision fit square tubing helps reduce penetration of outside contaminants.
- Tube support collar on outside tube for added strength.
- Oil cup for convenient lubrication of power screw.
- Custom mounting options allow mounting plate to be factory welded anywhere on the outside tube, or shipped loose for customer installation.

Capacity: 2,500 lbs. (1,134 kg) operational, 5,000 lbs. (2,268 kg) static. Refer to caster chart (below) for caster limitations.

Models Available:

See Jack Selection Guide on page 69 for additional options

Series	Travel	Base	Overall Height*
800P	15 in. (381 mm)	829	23 1/8 in. (587 mm)

*(Retracted, Includes handle.)

Caster Options: See Caster Chart below.

Optional Accessories:

688 Swivel Mount: Helps lift jack up and out of harm's way when traveling (see page 71).

Caster Options

Jack assemblies are to be fully retracted during highway operation. Capacity ratings apply only to manual operation at less than 5 mph (8 kph). Caster assemblies determine actual capacity of jack.

Caster Type	Series	Capacity	Overall Height	Wheel Size	Unit Weight
Steel	620	1,200 lbs. (544.3 kg)	7 1/4 in. (184 mm)	6 in. (152 mm)	10 lbs. (4.5 kg)
	620P	1,200 lbs. (544.3 kg)	7 1/2 in. (191 mm)	6 in. (152 mm)	7 lbs. (3.2 kg)
	637**	1,200 lbs. (544.3 kg)	7 1/4 in. (184 mm)	6 in. (152 mm)	11 lbs. (5.0 kg)
	745**	1,400 lbs. (636.4 kg)	9 1/2 in. (241 mm)	8 in. (203 mm)	12 lbs. (5.5 kg)
Molden Rubber	623	800 lbs. (362.9 kg)	7 1/4 in. (184 mm)	6 in. (152 mm)	6 lbs. (2.7 kg)
	746**	800 lbs. (362.9 kg)	10 1/8 in. (257 mm)	8 in. (203 mm)	11 lbs. (5.0 kg)
Pneumatic	720**/**	390 lbs. (176.9 kg)	13 in. (330 mm)	10 in. (254 mm)	14 lbs. (6.4 kg)

*Not recommended for 600 Series Jacks
 ** Not recommended for 800 Series Jacks

*Model numbers are listed on this page. For a list of 8-digit part numbers used for ordering, see page 74

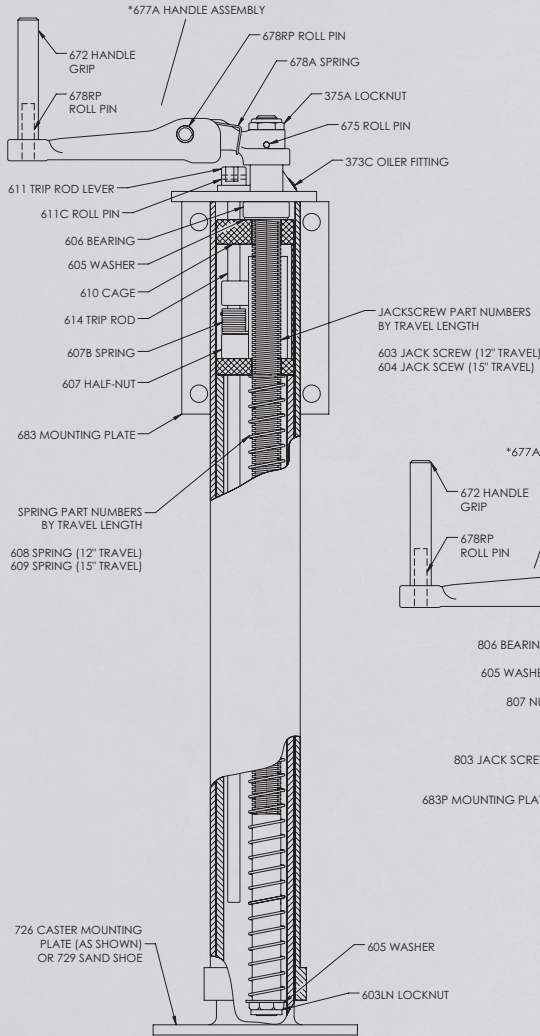
* Important guidelines for this product are found on page 68



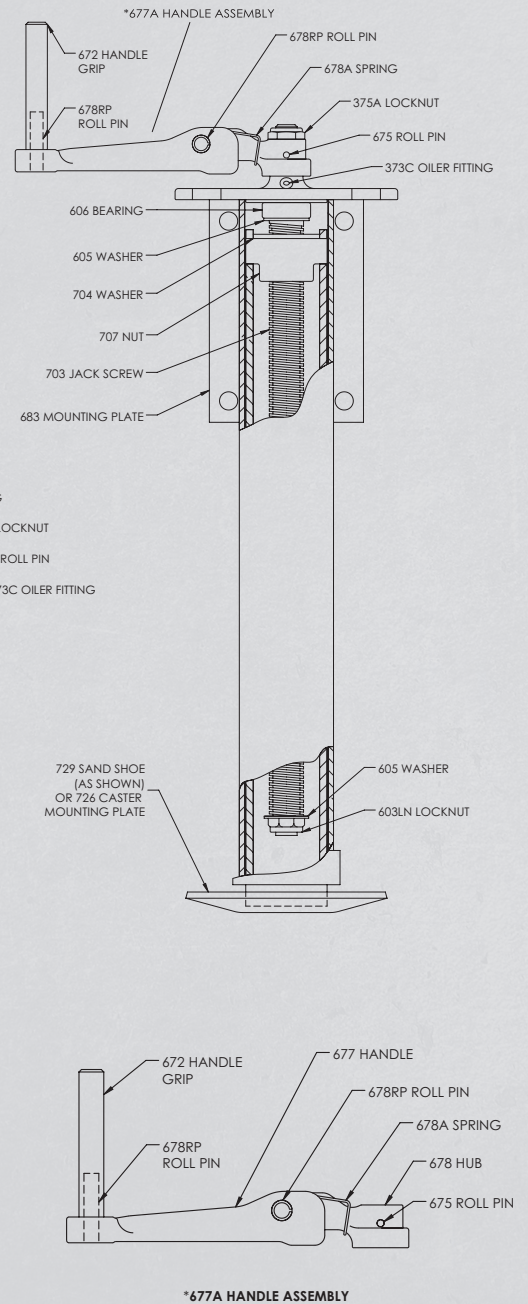
Dolly and Multi-Use Jacks

The Jack Replacement Parts illustrated should accommodate most repair requirements. Complete inner and outer tube assemblies are also available. Contact Premier for more information.

600 Jiffy Jack Parts



700 Standard Jack Parts



800 Utility Jack Parts

* Model numbers are listed on this page. For a list of 8-digit part numbers used for ordering, see page 74
 * Important guidelines for this product are found on page 68

Part Number Reference Guide

JACK CASTERS, SWIVELS, SERVICE

MODEL #	PART #	DESCRIPTION
606	10000539	Bearing
607	10000540	Half-Nut
608	10000543	Spring [12" Travel]
609	10000544	Spring [15" Travel]
610	10000545	Cage
611	10000547	Trip Rod Lever
675	10000594	Roll Pin
683	10000606	Mounting Plate
688	10000615	Swivel Mount Assembly
704	10000653	Washer
707	10000654	Nut
729	10000674	Sand Shoe
806	10000687	Bearing
807	10000688	Nut
829	10000701	Caster Plate & Sand Shoe Combination
373C	10000342	Oiler Fitting
375A	10000347	Locknut
603	10004795	Jack Screw [12" Travel]
603LN	10000533	Locknut
604	10004796	Jack Screw [15" Travel]
605	10000538	Washer
607B	10000541	Spring
611C	10000548	Roll Pin
614	10000568	Trip Rod
620	10000586	Steel Caster
620P	10000587	Steel Caster
623	10000588	Molden Rubber Caster
637	10000592	Steel Caster
672	10000593	Handle Grip
678A	10000598	Spring
678RP	10000600	Roll Pin
683P	10000609	Mounting Plate
688CT	10000616	Swivel Channel Tube
688HD	10000617	Heavy Duty Swivel Mount Assembly
688US	10000624	Universal Swivel Mount Assembly
689B	10004797	Pin & Cable Assembly
700RK	10000647	Repair Kit
720	10000672	Pneumatic Caster
726	10000673	Caster Mounting Plate
745	10000676	Steel Caster
746	10000677	Molden Rubber Caster
803	10004804	Jack Screw

Jacks not listed. Visit our website for a full list of Jacks.

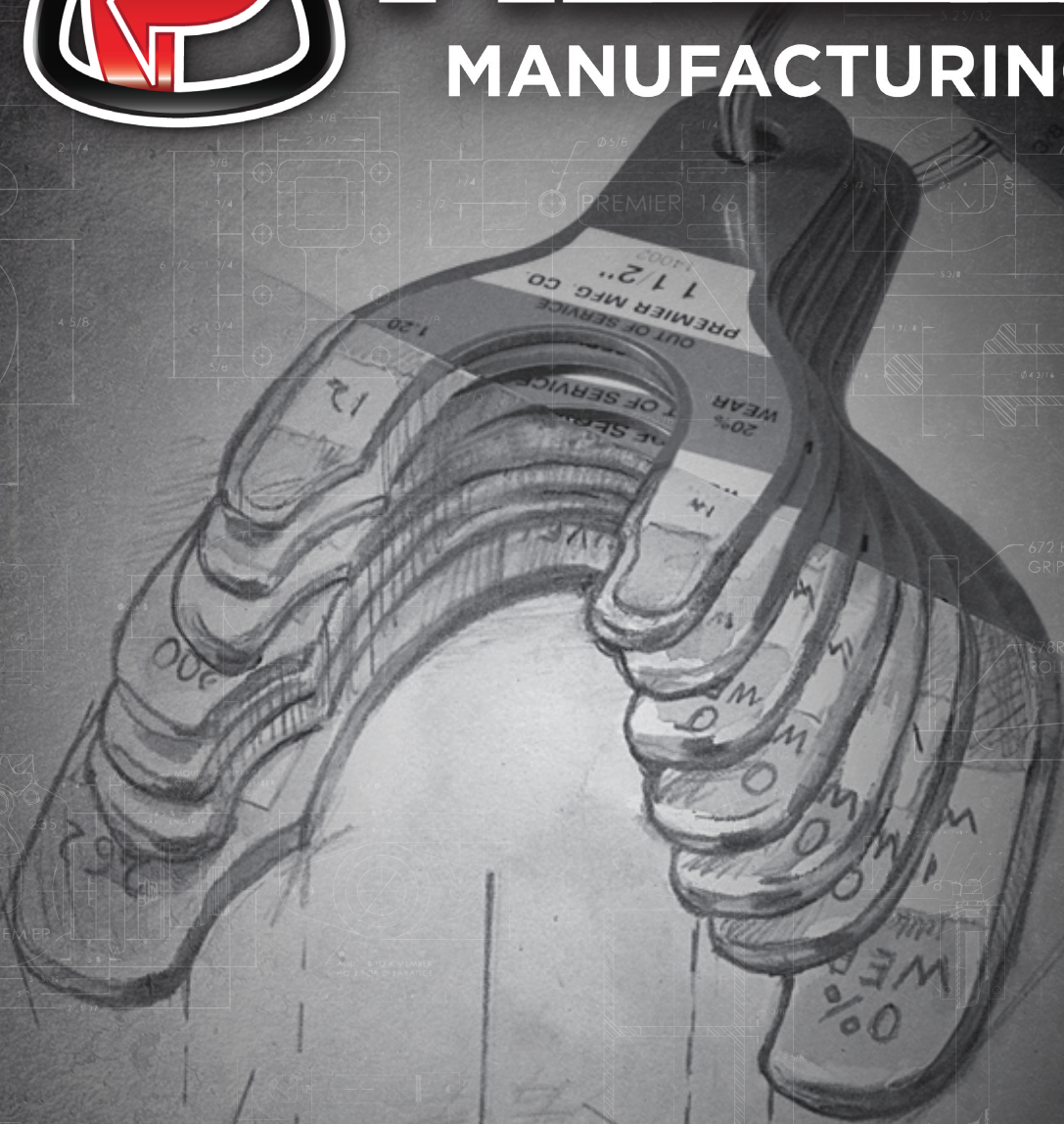
Use the 'search' function on the website to easily find all new and legacy part numbers.





PREMIER

MANUFACTURING



ACCESSORIES

IMPORTANT GUIDELINES THAT APPLY TO ALL PREMIER ACCESSORIES

- Always check parts for proper operation prior to placing in service
- Clean and lubricate accessories (where applicable) frequently
- Clean and inspect accessories for damage or excessive wear before each and every use
- Never attempt weld repair or other repair to damaged or defective Premier accessories
- Only use Premier manufactured or authorized accessories or parts in or on Premier products
- Do not bind-up (Jackknife) any application. Stresses can cause damage to products or components, resulting in failure and detachment of the trailer while in use

Accessories

Wear Gages



To determine wear limits, Premier created Wear Gages that help judge the useful life of couplings and drawbar eyes. Available as a complete kit or individually, these gages are easy to use and are a must for maintenance managers and safety personnel.

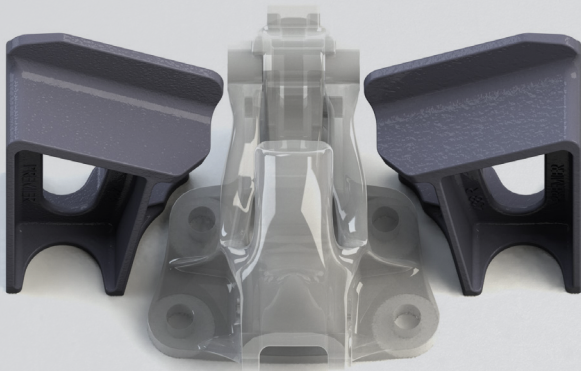
In accordance with Premier and the Federal Motor Carrier Safety Regulations, these were designed to identify wear at the critical percentages of 18% and 20%, by measuring the cross-section of coupling hooks (horn) and drawbar eye loops. 18% wear indicates that the product should be replaced as soon as possible. At 20% wear, the product is no longer in usable condition and must be taken out of service immediately and replaced. The latch gage bar measures the gap space between the top of the coupling hook and the closed latch. If the 3/8" latch gage bar can pass between this region, then the latch components should be considered worn past safe limits and replaced. Please note that these wear gage specifications are in accordance with Premier Mfg. Co. and the Federal Motor Carrier Safety Regulations (refer to other manufacturer's specifications for wear limits on their products).

Gages can be purchased individually or in two kit options.

[See pages 7 & 46 for Cross Reference Charts.](#)

Gage	Description
14038:	2 11/16 in. (68 mm)
14000:	Complete Gage Kit (includes all items below)
14020:	2 5/8 in. (67 mm)
14017:	2 1/4 in. (57 mm)
14029:	Fleet Gage Kit (includes items below)
14026:	3/8 in. (10 mm) (Latch Gage)
14014:	2 1/8 in. (54 mm)
14011:	2 in. (51 mm)
14008:	1 3/4 in. (44 mm)
14032:	1 11/16 in. (43 mm)
14005:	1 5/8 in. (41 mm)
14035:	1 9/16 in. (40 mm)
14002:	1 1/2 in. (38 mm)

Drawbar Guides



Premier's Drawbar Guides act as an aid to operators when hooking up equipment. These guides are cast from high strength steel and are easily installed by welding to the rear cross member.

Guides can be purchased individually or as complete sets.

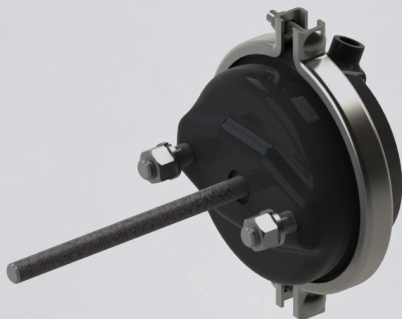
Guide	Couplings Used With
378:	360*, 370, 370B, 570, 770*, 1200, 2300 & 2300B*
378M:	100*, 270
438:	100-3*, 1300, 100-4*, 100-4H*, 1400, 1400H, 470*, 470H*, 2200, 2400 & 2400H

* Discontinued

* Model numbers are listed on this page. For a list of 8-digit part numbers used for ordering, see page 82

* Important guidelines for this product are found on page 75

281 / 282 Air Chambers



PART #10000116/#10000122

SPECIFICATIONS

Premier Air Chambers are definitely *not* your typical air chambers. Ours are built to last in the rigorous service of coupling and drawbar eye connections.

281 (Type-24) Air Chamber [8" pushrod]:

Maximum Force at 100 psi: 2,400 lbs. [10.68 kN]
Unit Weight: 9.1 lbs. [4.1 kg]

281L (Type-24) Air Chamber [12" pushrod]:

Maximum Force at 100 psi: 2,400 lbs. [10.68 kN]
Unit Weight: 9.6 lbs. [4.4 kg]

281-Custom (Type-24) Air Chamber [custom pushrod <8"]:

Maximum Force at 100 psi: 2,400 lbs. [10.68 kN]
Minimum Order Quantity: 50

281L-Custom (Type-24) Air Chamber [custom pushrod 8"-12"]:

Maximum Force at 100 psi: 2,400 lbs. [10.68 kN]
Minimum Order Quantity: 50

282 (Type-30) Air Chamber [8" pushrod]:

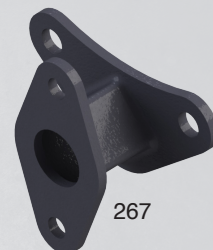
Maximum Force at 100 psi: 3,000 lbs. [13.34 kN]
Unit Weight: 9.8 lbs. [4.4 kg]

Air Chamber Brackets



467

PART #10000135



267

PART #10000098



767

PART #10000180

SPECIFICATIONS

Standard Brackets [2 3/4 in. [70 mm] overall length]:

267: For use with: 1200, 270, 2200, Saf-Tite 100* & 820 Slack Reducing Couplings

467: For use with: 360*, 370, 470*, 470H*, 2300, 2400, 2400H, 1300, 1400, 1400H & Saf-Tite 100-3*, 100-4*, 100-4H*

Slack Reducing Couplings

767: For use with: 780*, 880* & 2880 Slack Reducing Couplings

Non-Standard Brackets:

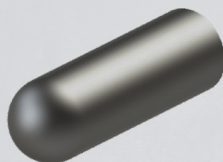
267F: 4 5/8 in. [117 mm] overall length
 (same couplings as 267)

467F: 5 1/2 in. [140 mm] overall length
 (same couplings as 467)

267H, 467H: 3/4 in. [19 mm] overall length
 (same couplings as 267 & 467 respectively)

* Discontinued

271 - Series Thimbles



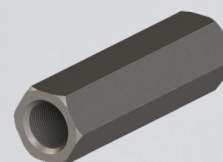
PART #10000107

SPECIFICATIONS

Premier's thimbles are highly wear resistant. They are used on the end of the Pushrod of an air chamber that contacts the Slack Adjustment Shoe in Premier air take up couplings.

- 271:** 7/8 in. [22 mm] x 2 3/4 in. [70 mm] (Standard)
- 271B:** 7/8 in. [22 mm] x 4 3/8 in. [111 mm] (Optional)
- 271C:** 7/8 in. [22 mm] x 5 1/2 in. [140 mm] (Optional)
- 271D:** 7/8 in. [22 mm] x 6 1/2 in. [165 mm] (Optional)
- 271H:** 7/8 in. [22 mm] x 2 1/8 in. [54 mm] (Optional)

47 - Series Couplers



PART #10000144

SPECIFICATIONS

Used to connect Air Chamber Pushrod to Pushrod of Drawbar Eye.

47: 3 5/8 in. [92 mm] long
Thread: 5/8 in.-18 NF to 3/4 in.-16 NF

47L: 3 5/8 in. [92 mm] long
Thread: 5/8 in.-18 NF to 3/4 in.-16 NF (left-hand)

47SPL: 6 in. [152 mm] long
Thread: 5/8 in.-18 NF to 3/4 in.-16 NF

Optional Accessories:

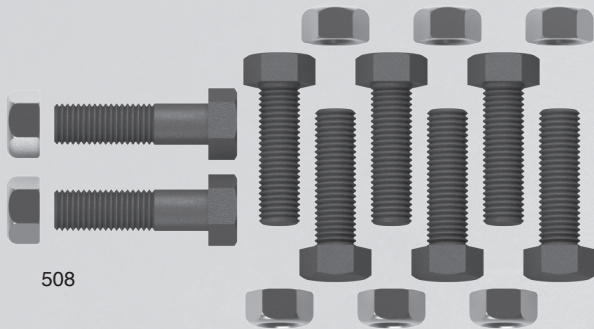
281J Jam Nut: 5/8 in. - 18NF used to secure coupler in position on 281 or 282 Air Chamber pushrod.

* Model numbers are listed on this page. For a list of 8-digit part numbers used for ordering, see page 82

* Important guidelines for this product are found on page 75

Accessories

Bolt Kits



508

These individually packaged bolt kits make the hardware selection for your coupling and/or drawbar eye fast and easy.

Bolt kits 501 through 508 use coarse threaded Grade-8 fasteners and Grade-C crimp style locknuts for a strong and secure coupling or drawbar eye mounting system.

Bolt Kit 511 uses coarse threaded L9 Grade bolts.

** 159 Bolt Kit has fine threaded Grade-8 fasteners.

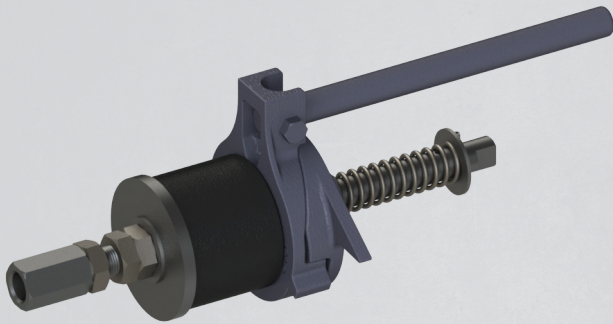
SPECIFICATIONS

Part #	For use with:	Includes:	Maximum Mounting Structure Thickness:
501:	270, 2200, 100*, 1200	Bolts (2) 2 1/2 in. (2) 2 3/4 in., Locknuts (4)	1/2 in. (13 mm)
502:	360*, 370, 780, 2300, 100-3*, 1300	Bolts (4) 2 1/2 in. (2) 2 3/4 in., Locknuts (6)	1/2 in. (13 mm)
503:	127, 127F, 370B, 570, 580J, 2300B	Bolts (6) 2 1/2 in., Locknuts (6)	1/2 in. (13 mm)
504:	570	Bolts (6) 2 in., Locknuts (6)	1/2 in. (13 mm)
505 :	770*	Bolts (5) 2 1/2 in. (2) 2 3/4 in., Locknuts (7)	1/2 in. (13 mm)
507:	200, 200L, 300, 480, 580, 590*, 690, 890C*, 990L, 990R	Bolts (4) 2 3/4 in., Locknuts (4)	1/2 in. (13 mm)
508:	470*, 470H*, 2400, 2400H, 100-4*, 100-4H*, 1400, 1400H	Bolts (6) 2 1/2 in. (2) 2 3/4 in., Locknuts (8)	1/2 in. (13 mm)
509:	820	Bolts (4) 2 3/4 in., (2) 3in., Locknuts (4)	1" (25 mm)
511:	2880, 880*	Bolts (6) 3 1/2 in., Locknuts (6)	1 5/8 in. (41 mm)
**159:	150, 160, 240	Bolts (4) 2 in., Lock washer (4), Hex nut (4)	3/4 in. (19 mm)

** 159 Kit has fine threads, uses lock washers and standard nuts.

* Discontinued

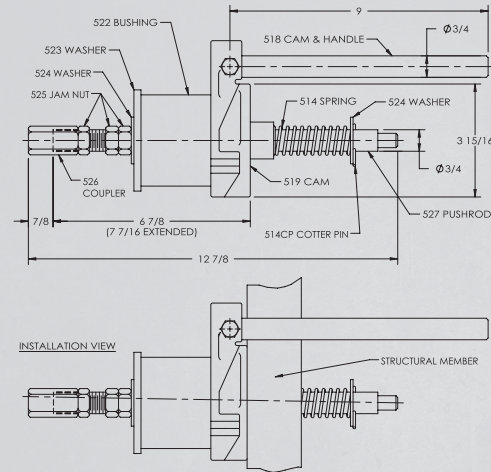
500 Mechanical Slack Adjuster



A complete mechanical slack adjustment device intended for use with any Premier slack adjusting drawbar eye. The 500 is designed to be used in place of 281 or 282 air chambers. No plumbing of air lines and simple operation make for an easy install and minimal maintenance.

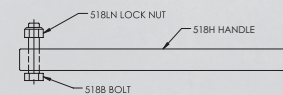
Unit weight 9.3 lbs. (4.2 kg).

PART #10000147



Handle Kit 518HK Includes:

- 518B: Bolt
- 518H: Handle
- 518LN: Locknut



* Model numbers are listed on this page. For a list of 8-digit part numbers used for ordering, see page 84

* Important guidelines for this product are found on page 75

Accessories

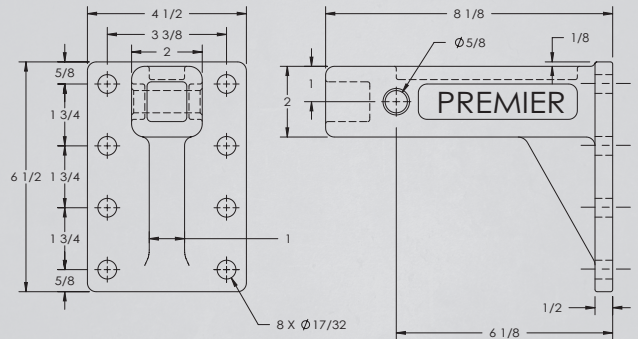
165 Receiver



Designed for superior strength, the 165 is a one-piece, solid steel casting, adjustable mount for 2 in. receiver-type connections.

It allows for three different vertical height positions for mounting Premier 150 & 160 couplings (pages 30 & 31).

PART #10000096

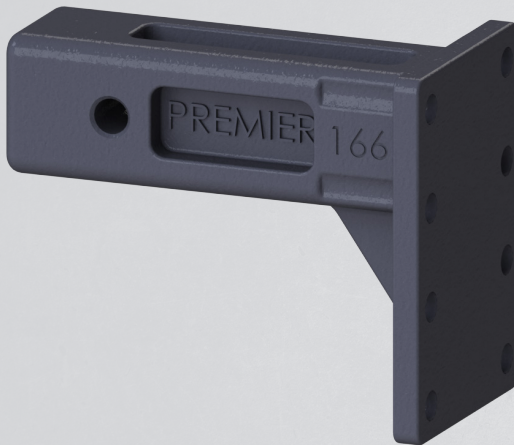


SPECIFICATIONS

Maximum Gross Trailer Weight:	10,000 lbs.	*(4,536 kg)
Maximum Tongue Weight:	1,000 lbs.	*(454 kg)
Unit Weight:	11 lbs.	(5 kg)
Pin Diameter:	5/8 in.	(16 mm)

**Stated capacities to be reduced accordingly if receiver receptacle unit has less capacity.*

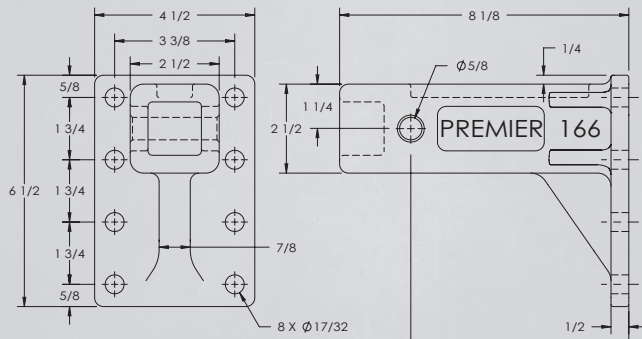
166 Receiver



Like our 165 Receiver, the 166 is also a single, solid steel casting, adjustable mount receiver, except it is used in 2 1/2 in. receiver-type connections.

It allows for three different vertical height positions for mounting Premier 150 & 160 couplings (pages 30 & 31).

PART #10000094



SPECIFICATIONS

Maximum Gross Trailer Weight:	12,000 lbs.	*(5,443 kg)
Maximum Tongue Weight:	1,200 lbs.	*(544 kg)
Unit Weight:	15 lbs.	(6.8 kg)
Pin Diameter:	5/8 in.	(16 mm)

**Stated capacities to be reduced accordingly if receiver receptacle unit has less capacity.*

IMPORTANT GUIDELINES THAT APPLY TO ALL PREMIER RECEIVERS

- To be attached by 5/8 in. pin only
- Only Grade-8 fasteners properly torqued should be used to attach couplings
- Never attempt weld repair of damaged or defective receivers or receiver receptacles
- If receiver receptacle has a less capacity do not exceed it
- Clean and inspect accessories for damage or excessive wear before each and every use
- Do not bind-up (Jackknife) any application as stresses can cause damage to products or components, resulting in failure and detachment of the trailer while in use

*Model numbers are listed on this page. For a list of 8-digit part numbers used for ordering, see page 84



150 Coupling Balls



Coupling Balls designed exclusively to fit Premier's 150 Coupling (see page 30).

SPECIFICATIONS

Model #	Part #	Ball Diameter	Maximum GTW
155 Ball	1000090	2 in. (51 mm)	10,000 lbs. (4,536 kg)
156 Ball	1000092	2.5/16 in. (59 mm)	10,000 lbs. (4,536 kg)

All sizes have 1 1/4 in. diameter shaft and come standard with a 1 1/4 in. nylon locknut [157].



PART #10004672

Parts Kits & Repair Kits

Part #	Couplings Used With
100PK	100*, 100-3*, 100-4*, 100-4H*
130PK	130, 240, 240K
135PK	135NT, 235NT, 235SM
150PK	150, 150-1, 160
270PK	270
370PK	370, 370B, 570, 770
470PK	470*, 470H*
480RK	480
580RK	580, 580J
690LRK	690L
700RK	700 Jack
990PK-HK	990L, 990R
990PK-LK	990L, 990R
2000PK	1200, 1300, 1400, 1400H, 2200, 2300, 2300B*, 2400, 2400H, 2880
2000PK-L	2200L
2000PK-EL	2200, 2300, 2300B*, 2400, 2400H, 2880
2200PK-ELL	2200ELL

*Discontinued

Parts Kits & Repair Kits, they are one and the same in that they have all the parts needed to perform a complete rebuild for the given product model #. In a day and age when efficiency and liability are paramount, do yourself a favor and purchase a complete kit to service your coupling and sleep better at night. All of Premier's most popular models have a complete kit available, so please consult this cross reference chart to find the single part # to order your kit.

2000PK Parts Kit



IMPORTANT GUIDELINES THAT APPLY TO ALL PREMIER HITCH BALLS AND TOW HOOKS

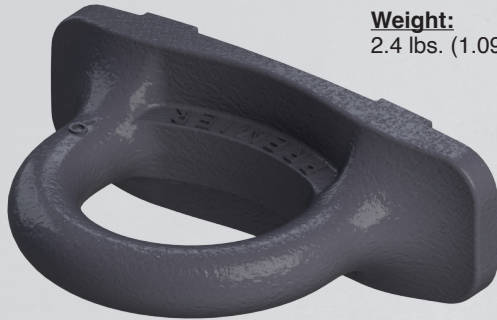
- Only Grade-8 fasteners properly torqued should be used to attach tow hooks
- Never attempt weld repair of damaged or defective hitch balls or tow hooks
- Always check parts for proper operation prior to placing in service
- Clean and inspect accessories for damage or excessive wear before each and every use
- Do not bind-up (Jackknife) any application as stresses can cause damage to products or components, resulting in failure and detachment of the trailer while in use

* Model numbers are listed on this page. For a list of 8-digit part numbers used for ordering, see page 84

Accessories

Premier's Safety Chain Hangers are what much of the trucking, utility, and construction industry have been requesting for many years - a strong, reliable, and easy to install hanger system. They are available in two sizes and styles.

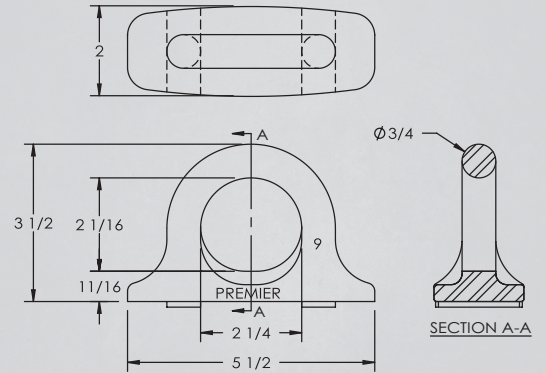
9 Safety Chain Hanger



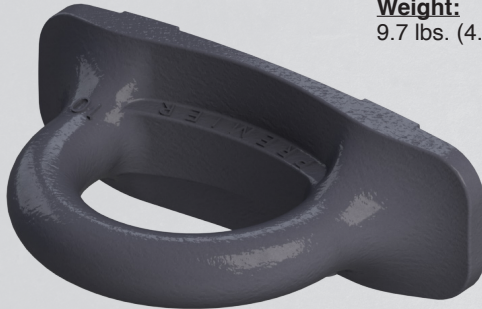
PART #10000182

MGTW:
30,000 lbs. (13,608 kg)

Weight:
2.4 lbs. (1.09 kg)



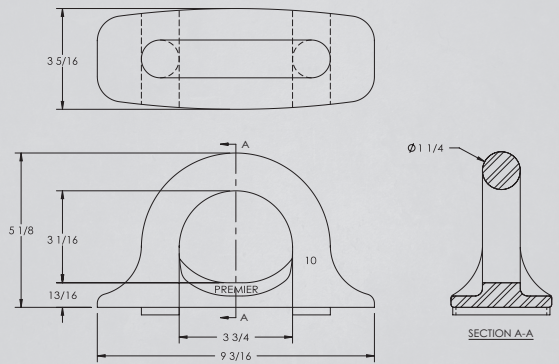
10 Safety Chain Hanger



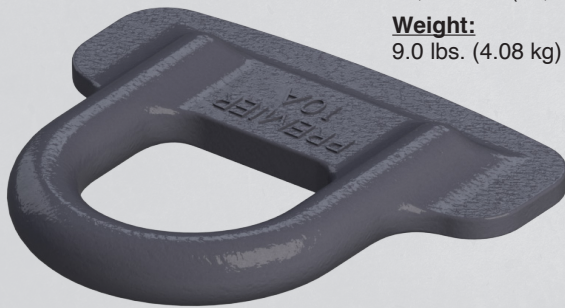
PART #10000044

MGTW:
90,000 lbs. (40,823 kg)

Weight:
9.7 lbs. (4.4 kg)



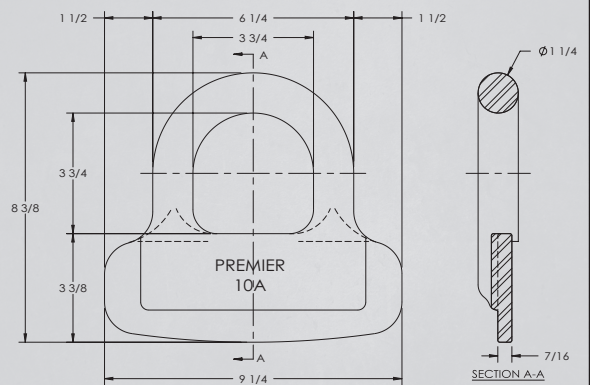
10A Safety Chain Hanger



PART #10000045

MGTW:
90,000 lbs. (40,823 kg)

Weight:
9.0 lbs. (4.08 kg)



IMPORTANT GUIDELINES THAT APPLY TO ALL PREMIER HITCH BALLS AND TOW HOOKS

- Hangers are to be attached by welding only
- Never attempt weld repair of damaged or defective chain hangers
- Welding should only be performed by a certified welder skilled in structural welding practices
- Always check parts for proper operation prior to placing in service
- Clean and inspect accessories for damage or excessive wear before each and every use
- Do not bind-up (Jackknife) any application as stresses can cause damage to products or components, resulting in failure and detachment of the trailer while in use

* Model numbers are listed on this page. For a list of 8-digit part numbers used for ordering, see page 84



Part Number Reference Guide

ACCESSORIES

MODEL #	PART #	DESCRIPTION
9	10000182	Safety Chain Hanger
10	10000044	Safety Chain Hanger
10A	10000045	Safety Chain Hanger
14000	10000048	Wear Gage Set
14002	10000050	Wear Gage, 1-1/2
14005	10000053	Wear Gage, 1-5/8
14008	10000056	Wear Gage, 1-3/4
14011	10000059	Wear Gage, 2
14014	10000062	Wear Gage, 2-1/8
14017	10000065	Wear Gage, 2-1/4
14020	10000068	Wear Gage, 2-5/8
14026	10000071	Wear Gage, 3/8 [Latch Gap]
14029	10000074	Fleet Gage Kit
14032	10000075	Wear Gage, 1-11/16
14035	10000078	Wear Gage, 1-9/16
14038	10000081	Wear Gage, 2-11/16
155	10000090	Coupling Ball
156	10000092	Coupling Ball
159	10000438	Bolt Kit
165	10000094	Receiver
166	10000096	Receiver
2074BK	10008930	Bolt Pack
2075	10000242	Lever
2075K	10000244	Low Profile Lever Kit
267	10000098	Air Chamber Adapter Bracket
267F	10000101	Air Chamber Bracket
267H	10000102	Air Chamber Bracket
271	10000107	Thimble
271B	10000108	Thimble
271C	10000109	Thimble
271D	10000110	Thimble
271H	10000106	Thimble
281	10000116	Air Chamber Pushrod
281C	10000117	Air Chamber
281L	10000120	Air Chamber
282	10000122	Air Chamber
388BK	10008928	Bolt Pack
388BK-EL	10008929	Bolt Pack, EL Series
467	10000135	Air Chamber Adapter Bracket
467F	10000138	Air Chamber Bracket
467H	10000140	Air Chamber Bracket
47	10000144	Coupler
47L	10000145	Coupler
47SPL	10000146	Coupler
500	10000147	Mechanical Slack Adjuster
501	10000149	Bolt Kit
502	10000150	Bolt Kit
503	10000151	Bolt Kit
504	10000152	Bolt Kit
507	10000154	Bolt Kit
508	10000155	Bolt Kit
509	10000156	Bolt Kit

ACCESSORIES

MODEL #	PART #	DESCRIPTION
511	10000158	Bolt Kit
518HK	10004788	Handle Kit
688	10000615	Swivel Mount
688HD	10000617	Swivel Mount
688US	10000624	Swivel Mount
767	10000180	Air Chamber Bracket

Use the 'search' function on the website to easily find all new and legacy part numbers.



Glossary

A-Dolly (Dolly, Converter Dolly) – A single or double axle unit with a fifth wheel and drawbar eye point of attachment that converts a semi trailer to a full trailer.

Air Adjusted (Coupling or Drawbar Eye) – A coupling or drawbar eye with an air take up system that reduces slack at the connection, via pressure from an air service chamber.

Air Chamber – A device that encompasses a bladder and spring that when air is supplied extends and when air is taken away it retracts. Used as part of the slack reducing system for a coupling or drawbar eye.

Application – The configuration of transportation equipment and how and where it is used.

Bind-Up (Binding) – see jackknife.

C-Dolly – A convertor dolly that has two points of attachment equally spaced from the vehicle centerline, which will not allow any turning to occur at the connections.

Chamfer – The beveling of flat or circular edge, typically done at a 45 degree angle.

Converter Dolly – see A-dolly.

Coupling (Hitch or Pintle Hook) – A device with a latch system that, when used in combination with a drawbar eye, connects a towed vehicle to the towing vehicle.

Coupling (Hitch) Ball – A spherical ball atop a post that connects to a trailer with a spherical socket coupler. Typically used in passenger vehicle applications.

Dolly – Generic description for an A-dolly or C-dolly.

Dolly Jack – A mechanical device for lifting, used for holding up the front end of a dolly when not coupled to a towing vehicle.

Drawbar – see front end.

Drawbar Eye (Lunette) – A ring shaped object used in combination with a coupling to connect a towed vehicle to the towing vehicle.

Drawbar Eye Loop – The ring shaped portion of the drawbar eye.

Drop Pintle Coupling – A coupling with a pintle (hook) that rotates downward when the latch system is opened, allowing the drawbar eye to be disconnected.

Dynamic Load – A type of load that changes in the direction or degree of force during operation.

Eye X-Section – The diameter dimensions of the tip of a drawbar eye loop measured in the horizontal and vertical planes.

Fastener – Hardware that mechanically joins or affixes two or more objects together (a nut and bolt).

Front End – The front end of a trailer or convertor dolly.

Front End Housing – A device that is welded to the front of a trailer or dolly that allows the installation of a swivel drawbar eye.

Full Trailer – Any trailer other than a pole trailer that is constructed so that no part of its weight, except for the towing device, rests upon the towing vehicle.

GTWR (Gross Trailer Weight Rating) – The value specified by the manufacturer as the maximum allowed loaded weight of a trailer.

GVWR (Gross Vehicle Weight Rating) – The value specified by the manufacturer as the maximum allowed loaded weight of the vehicle.

Hinge (Hinge Assembly) – A device that allows the front end of a trailer or dolly to articulate in the vertical plane.

Hitch – see coupling.

Hook – see pintle.

Horn – see pintle.

Induction Hardening – A heat treat procedure that allows for a desired area of the part to be hardened, while other areas are unaffected.

Jack – A mechanical device used to lift heavy loads.

Jackknife – The over-articulation of the coupling connection that results in binding at the coupling to drawbar eye connection, or between the structures of the towing and towed vehicle.

Glossary

Latch – A combination of parts on a coupling body that open and close, allowing the drawbar eye to be contained on the pintle.

Load Specifications – The weight capacity of a device or vehicle.

Lunette Eye – see drawbar eye.

Maintenance – A regularly scheduled interval of cleaning, inspecting and lubricating of coupling and drawbar eye components to preserve their operation and life expectancy.

MGTW (Maximum Gross Trailer Weight) – see GTWR.

Mounting Surface – The area a coupling, drawbar eye or hinge assembly attaches to.

Off-Road – Use of a vehicle on any surface other than pavement or concrete.

Operating Conditions – The environment a vehicle is operated in.

Out-Of-Service – No longer suitable for use.

Over-The-Road – Use of a vehicle on pavement or concrete roads.

Pintle – The hook section of a coupling device that a drawbar eye loop attaches to.

Pintle Hook – see coupling.

Premalloy – Premier's longest wearing proprietary material, used in some models of couplings and drawbar eyes.

Pushrod – A rod that connects the air chamber to the shoe in slack reducing couplings or drawbar eyes.

Saddle Area – The region of a coupling where the drawbar eye rests in the vertical load direction.

Safety Chain(s) or Cable – A backup safety device that must be of sufficient strength to contain a trailer if an accidental disconnect of the coupling and drawbar occurs (mandatory in North America).

Saf-Tite – Premier's highest strength couplings, at a value.

Semitrailer – Any trailer other than a pole trailer that is constructed so that some part of its weight rests upon the towing vehicle.

Shock Load – see dynamic load.

Shoe – The portion of an air take up system that contacts the drawbar eye loop (coupling style) or pintle hook (drawbar eye style).

Slack Reducing System – Specifically designed by Premier to improve drivability of the connected vehicles and reduce wear at the coupling to drawbar eye connection. This is done by applying a clamping force at the connection that removes all free play, thus drastically reducing the slamming back and forth of the drawbar eye loop on the coupling pintle (horn). Less movement means a more comfortable ride as well as longer component life.

Static Load – The weighed load of a vehicle when not in motion.

Swivel Coupling – A coupling with a shank that resides in bores and allows for rotation about the longitudinal axis of the vehicle. It is typically used in off-road applications, and never used with a swivel drawbar eye.

Swivel Drawbar Eye – A drawbar eye with a shank that resides in bushings and allows for rotation about the longitudinal axis of the vehicle. It is typically used in off-road applications, and never used with a swivel coupling.

Tongue – see front end.

Tongue Weight – The weight of the trailer or dolly in the vertical plane that is applied to the coupling.

Torque – The measured value of a force applied to produce rotation about an axis, typically measured in foot or inch pounds.

Tow Bar – see front end.

Tow Hook – A device used to temporarily allow one vehicle to pull another, usually used in conjunction with a cable or strap.

Towed Vehicle – A vehicle being pulled by another vehicle, typically a trailer.

Towing Vehicle – The tractor or other type of vehicle pulling a trailer.

Trailer Hitch – see coupling.

Ultimate Latch Capacity – The maximum non-sustained load on a latch or upper coupling surface that contains the drawbar eye.

Wear Gages – Various tools used to measure wear and determine serviceability on a coupling hook, drawbar eye loop, or gap at the latch to hook interface.





PREMIER

MANUFACTURING

WARRANTY:

We warrant all Premier products to be free from defects in material or workmanship for one year. We will repair or replace, at our option, any Premier product which our examination reveals to be defective, provided that the product is returned to our factory, at Tualatin, Oregon transportation prepaid, within one year of purchase by the first retail purchaser. Our warranty does not extend to products which have been subject to misuse, neglect, improper installation, maintenance or application, nor does our warranty extend to products which have been repaired or altered outside of Premier's facility unless the repair or alteration has been expressly authorized in writing by Premier. ***This warranty is in lieu of all other warranties, express or implied, and excludes warranties of merchantability, fitness for a particular purpose and otherwise, and in no event will Premier be liable for incidental, special, contingent or consequential damages.***

DISCLAIMER:

Although great care has been taken to ensure accurate information throughout this catalog, Premier Manufacturing must reserve the right to alter any information contained within. These changes include but are not limited to: dimensional changes, load capacity and availability of any part or assembly.

© 2025 Premier Manufacturing

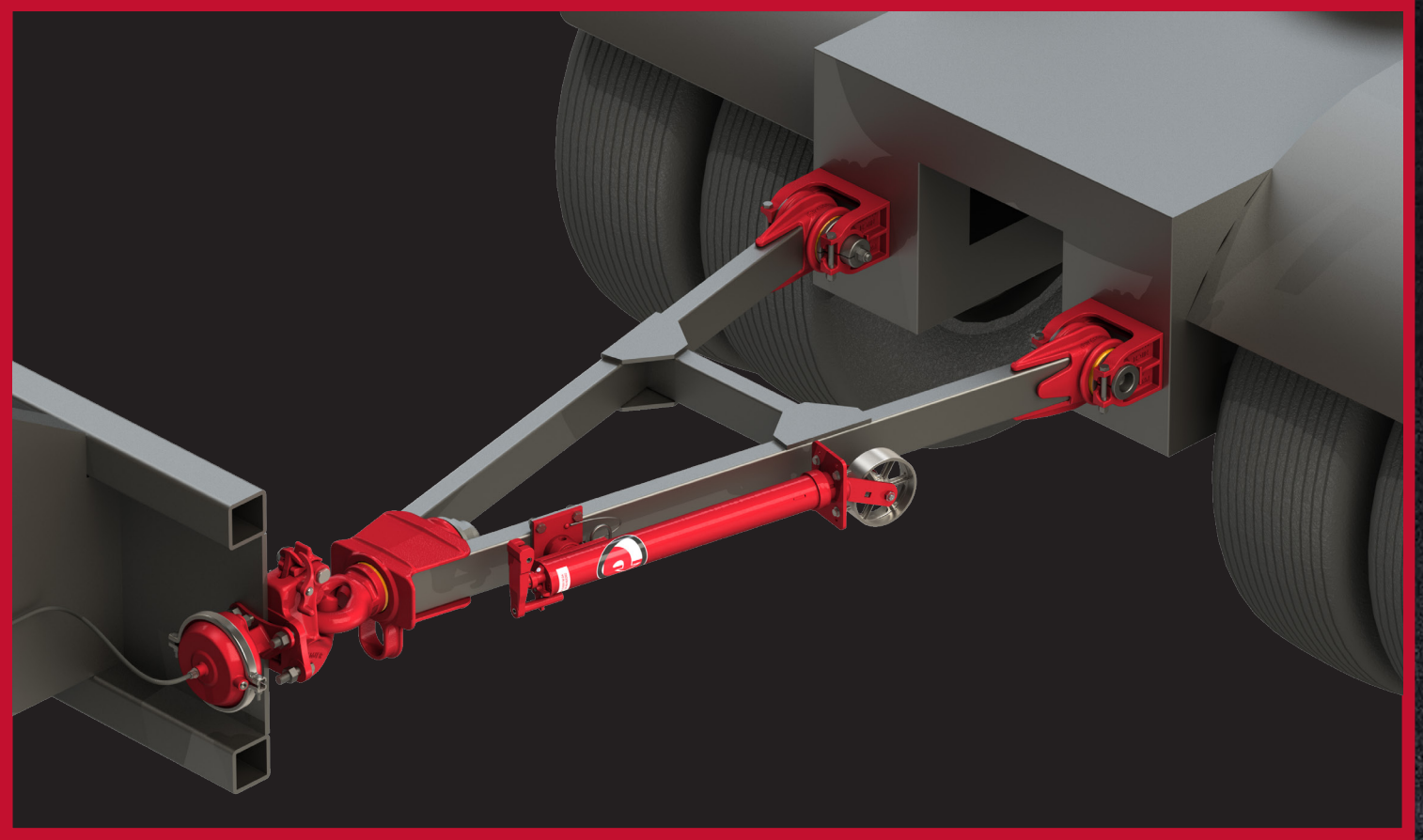
All rights reserved. Any reproduction of the photographic images or any other portion of this catalog, including but not limited to the photo copying, or retention and/or storage in a retrieval system of any kind, is strictly prohibited without prior express written permission from Premier Manufacturing.

1-800-255-5387



PREMIER-MFG.COM

Item # 10036934



A DIVISION OF **HIGH BAR BRANDS, LLC**



**HIGH BAR
BRANDS**

19500 SW Teton Ave, Tualatin, OR 97062
(503) 234-9202 | (800) 255-5387
www.highbarbrands.com